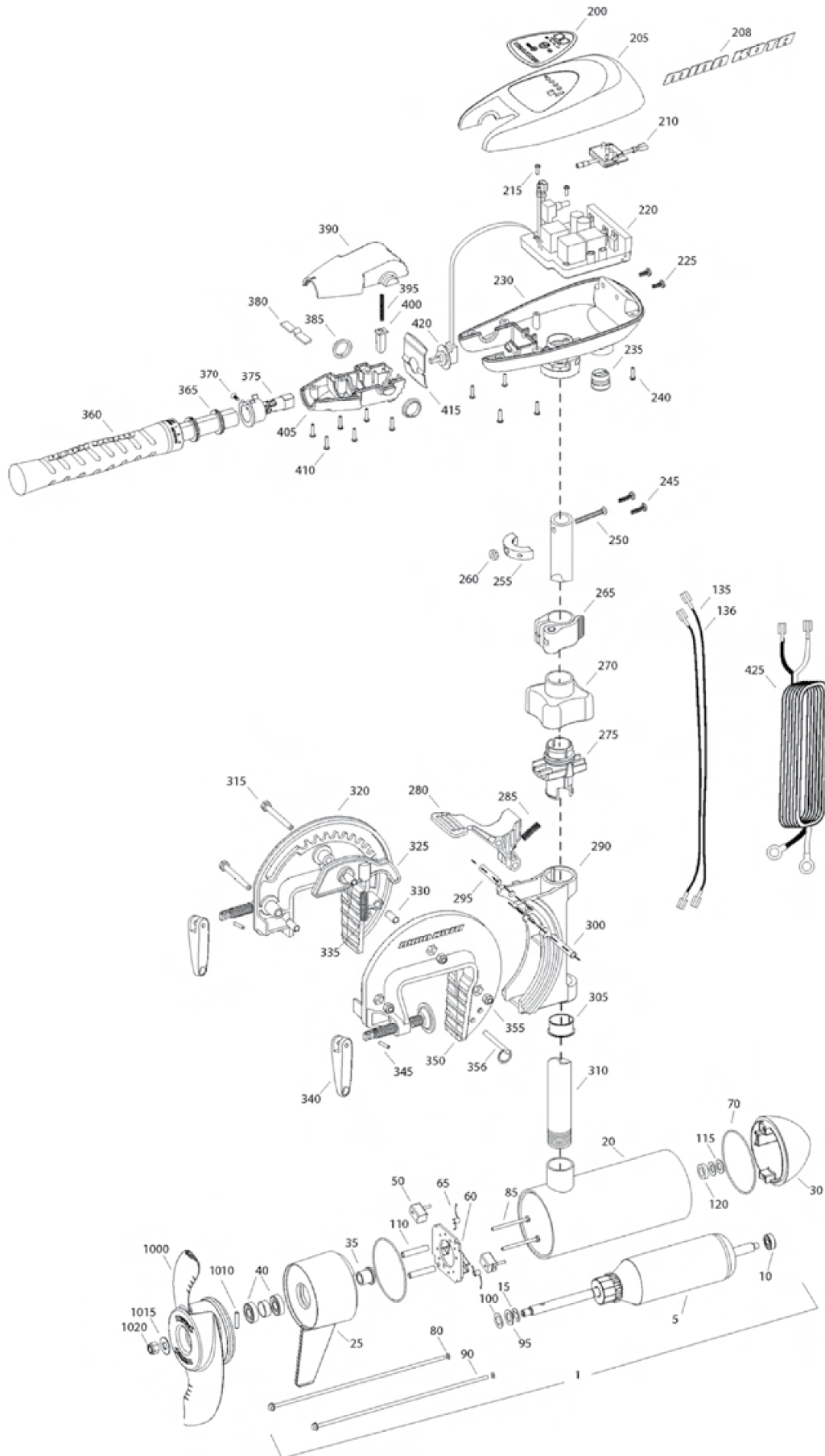




MINN KOTA®

RIPTIDE TRANSOM 101 T



MINN KOTA®

W W W . N A V I C O M . F R





MINN KOTA®

RIPTIDE TRANSOM 101 T

Item	P/N	Description	Qty	Item	P/N	Description	Qty
1	2316288	36V Motor 52" SW	1	330	2067306	Bushing, dowel 1/4 x 1/2	3
5	2-100-216	Armature assembly	1	335	2062700	Spring, cam deactivator	1
10	140-010	Bearing	1	■	2771303	Clamp screw kit	2 per kit
15	788-040	Retaining ring	1	340	2050925	Handle, clamp	2
20	2-200-397	Center housing assembly	1	345	2052605	Roll pin	2
25	2-300-340	Brush end housing assembly	1	350	2771948	Bracket, left, SW	1
30	421-376	Plain end housing assembly STD	1	355	2263103	Nut, 1/4-20, nylock, ss	3
35	144-017	Flange bearing	1	356	2062604	Pin, stop	1
40	880-025	Seal	2				
50	188-094	Brush	2	■	2990957	Handle assy, VARS [360-410]	1
60	9-738-004	Brush plate assembly	1	360	2990456	Grip/handle assy, VARS [360-375]	1
65	975-041	Brush spring	2	365	2060015	Bearing, handle	2
70	701-043	O-ring, motor	2	370	2063405	Screw, #6 PFH SS	1
80	701-009	O-ring, thru-bolt	2	375	2884092	Yoke / spider assy, VARS	1
85	830-027	Screw, 10-32 x 2	2	380	2302742	Spring, detent, off	1
90	830-096	Thru-bolt	2	385	2060005	Bearing, handle pivot	2
95	990-051	Washer, steel	2	390	2060900	Handle pivot, top	1
100	990-052	Washer, nylatron	2	395	2302745	Spring, release button	1
110	973-025	Spacer, brush plate	2	400	2063700	Button, release	1
115	992-010	Washer, Belleville	2	405	2060905	Handle pivot, bottom	1
120	992-045	Spacer, thrust	1	410	2303412	Screw, #6 x 5/8 SS	6
135	640-018	Leadwire, black	1				
136	640-123	Leadwire, red	1	415	2062715	Spring, handle pivot	1
■	2889460	Seal and O-ring Kit		420	2061700	Washer, pot holder	1
				425	2992523	Leadwire assy, includes [235]	1
200	2095604	Decal, c-box cover	1				
205	2060296	C-box cover	1	■	1378132	Propeller kit WW2	
208	2325666	Decal - MinnKota	2	■	2994876	Propeller bag assy	
210	2074082	Battery meter, 36v SW	1	1000	2331160	Propeller WW2	1
215	3043427	Screw, #8 x 7/8 SS	2	1010	2262658	Drive pin, large	1
220	2184007	Control board, 24/36v	1	1015	2091701	Washer, prop, large	1
225	2303434	Screw, #8-30 x 5/8 SS	2	1020	2198401	Nut, nylock, prop, Anode	1
230	2062503	Control box, VARS, SW	1				
235	2062905	Strain relief	1				
240	2303412	Screw, #6 x 5/8 SS	6				
245	2263434	Screw, #8 x 1 SS	2				
250	2383407	Screw, #10-24 x 2 SS	1				
255	2061517	Collar, c-box	1				
260	2383124	Nut, 10-24, nylock, SS	1				
265	2991521	Cam lock/depth collar assy	1				
■	2991798	Bracket assy, Aluminum [270-356]	1				
270	2060100	Knob, steering tension, soft	1				
275	2068400	Collet	1				
280	2064200	Lock arm	1				
285	2062701	Spring, lock arm	1				
290	2061821	Hinge	1				
295	2062603	Pin, lock, ss	1				
300	2062603	Pin, lock, ss	1				
305	2037301	Bushing, hinge	1				
310	2032032	Tube 42"	1				
315	2063501	Bolt 1/4-20 x 2 3/8", ss	3				
320	2771949	Bracket, right, SW	1				
325	2067905	Cam deactivator	1				

MINN KOTA®

W W W . N A V I C O M . F R

