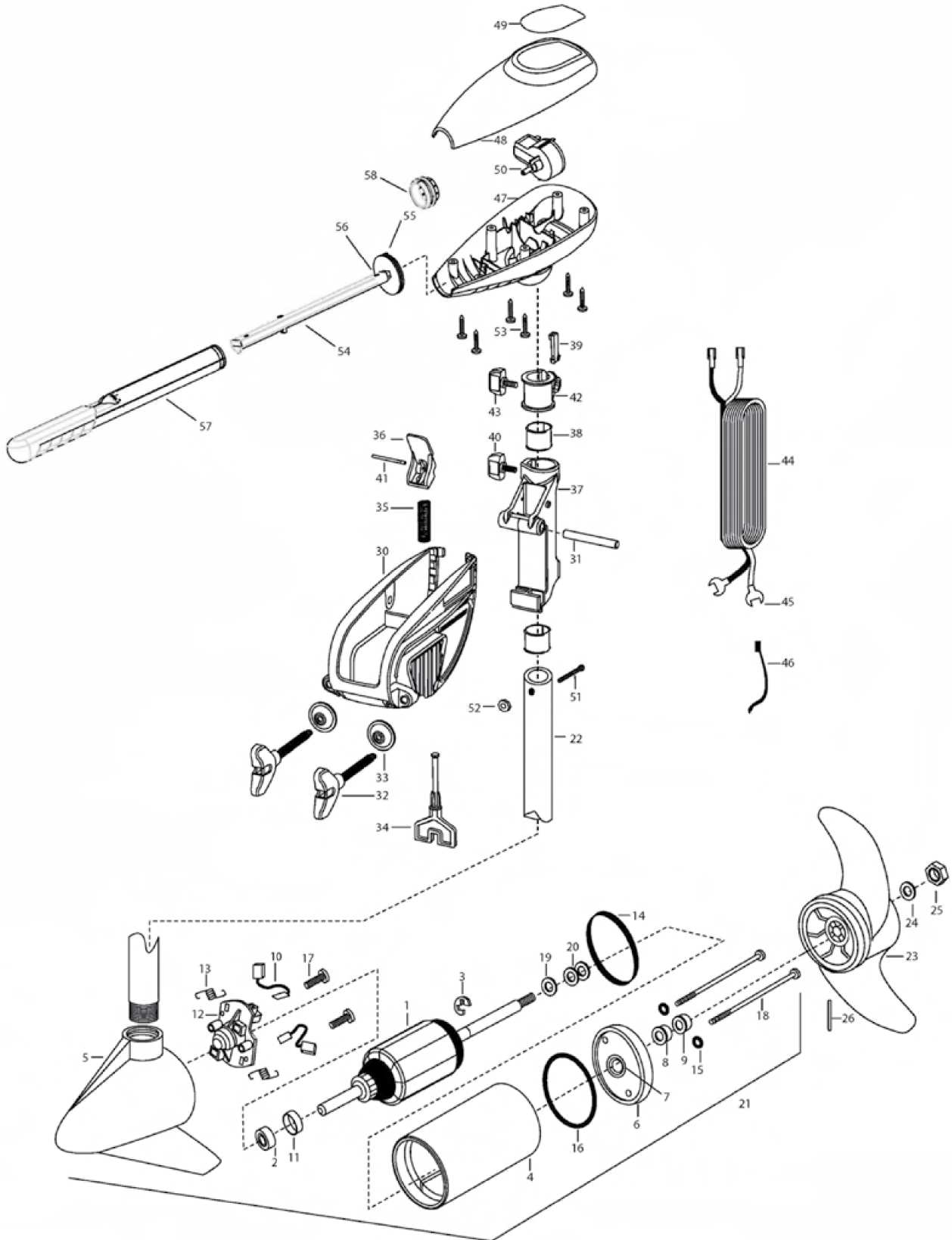


ENDURA 50





MINN KOTA®

ENDURA 50

1	2-100-118	ARMATURE ASSEMBLY 12V 3.62 FW					
2	140-010	BEARING- BALL		*32	2061300	SCREW-CLAMP, WASHER, RETAINER KIT [2.EA]	
3	788-015	RETAINING RING		*33	2011710	SCREW-CLAMP [2.EA]	
4	2-200-101	CENTER HOUSING ASSEMBLY-		34	2063605	WASHER-CLAMP SCREW [2.EA]	
5	2-300-196	BRUSH END HOUSING ASSEMBLY 3.62 SPCO 36"		35	2062706	T-BAR, PLASTIC	
6	2-300-195	BRUSH END HOUSING ASSEMBLY 3.62 SPCO 42"		36	2067201	SPRING- T-BAR	
7	2-400-101	PLAIN END HOUSING ASSEMBLY		37	2061810	LEVER-TILT BLACK	
8	144-049	BEARING- FLANGE ,SERVICE ONLY		38	2037301	HINGE-PLASTIC	
9	880-003	SEAL		39	2062800	BUSHING-HINGE [2.EA]	
10	880-006	SEAL WITH SHIELD		40	2011385	TENSION BLOCK-SNAP IN	
11	188-036	BRUSH ASSEMBLY [2.EA]		41	2060515	SCREW, TENSION/KNOB	
12	725-050	BRUSH RETENTION- PAPER TUBE		42	2061520	PIN, TILT LEVER	
13	738-036	BRUSH PLATE WITH HOLDER		43	2011365	COLLAR-DEPTH	
14	975-040	SPRING- TORSION [2.EA]		44	2050609	SCREW-COLLAR/NEW KNOB	
15	337-036	GASKET		45	2020702	LEADWIRE 10 GA SPADE TERM	
16	701-008	O-RING [2.EA]		46	2026300	SPADE TERMINAL 10GA. [2.EA]	
17	701-081	O-RING		47	2062510	TIE WRAP [2.EA]	
18	830-007	SCREW- # 8-32 [2.EA]		48	2062510	CONTROL BOX	
19	830-042	THRU BOLT 10-32X8.83 [2EA]		49	2060214	CONTROL BOX COVER-ENDURA	
20	990-067	WASHER- STEEL THRUST		50	2065642	DECAL COVER ENDURA 50	
21	990-070	WASHER- NYLATRON [2.EA]		51	2064023	SWITCH-FWD/REV 5 SP	
22	2097061	MOTOR ASSEMBLY 12V 3.62 5SPC FW 36"		52	2013110	SCREW-10-24 X 1-3/4	
	2097062	MOTOR ASSEMBLY 12V 3.62 5SPC FW 42"		53	2012100	NUT-10-24 HEX	
	2032052	TUBE COMPOSITE 36"		54	2990919	SCREW-8-18 X 5/8 [6.EA]	
	2032053	TUBE COMPOSITE 42"		55	2060405	INNER HANDLE ASSEMBLY	
	1378131	PROPELLER- KIT		56	2012102	PIVOT, HANDLE	
23	2091160	PROP- W. WEDGE 2		57	2990929	SCREW	
24	2151726	WASHER- 5/16 STD SS		58	2060009	OUTER HANDLE ASSEMBLY	
25	2053101	NUT- NYLOC 5/16				FRONT BEARING	
26	2092600	PIN-DRIVE				O-RING, GASKET SEAL KIT	
	2771818	BRACKET & HINGE ASSEMBLY (INCLUDES- 30—41)					
	2771910	BRACKET ASSEMBLY (INCLUDES- 30,32,33)					
	*30	2061910	BRACKET				
31	2060510	PIN-HINGE					

* This item is part of an assembly. This item cannot be sold separately due to machining and /or assembly that is required.