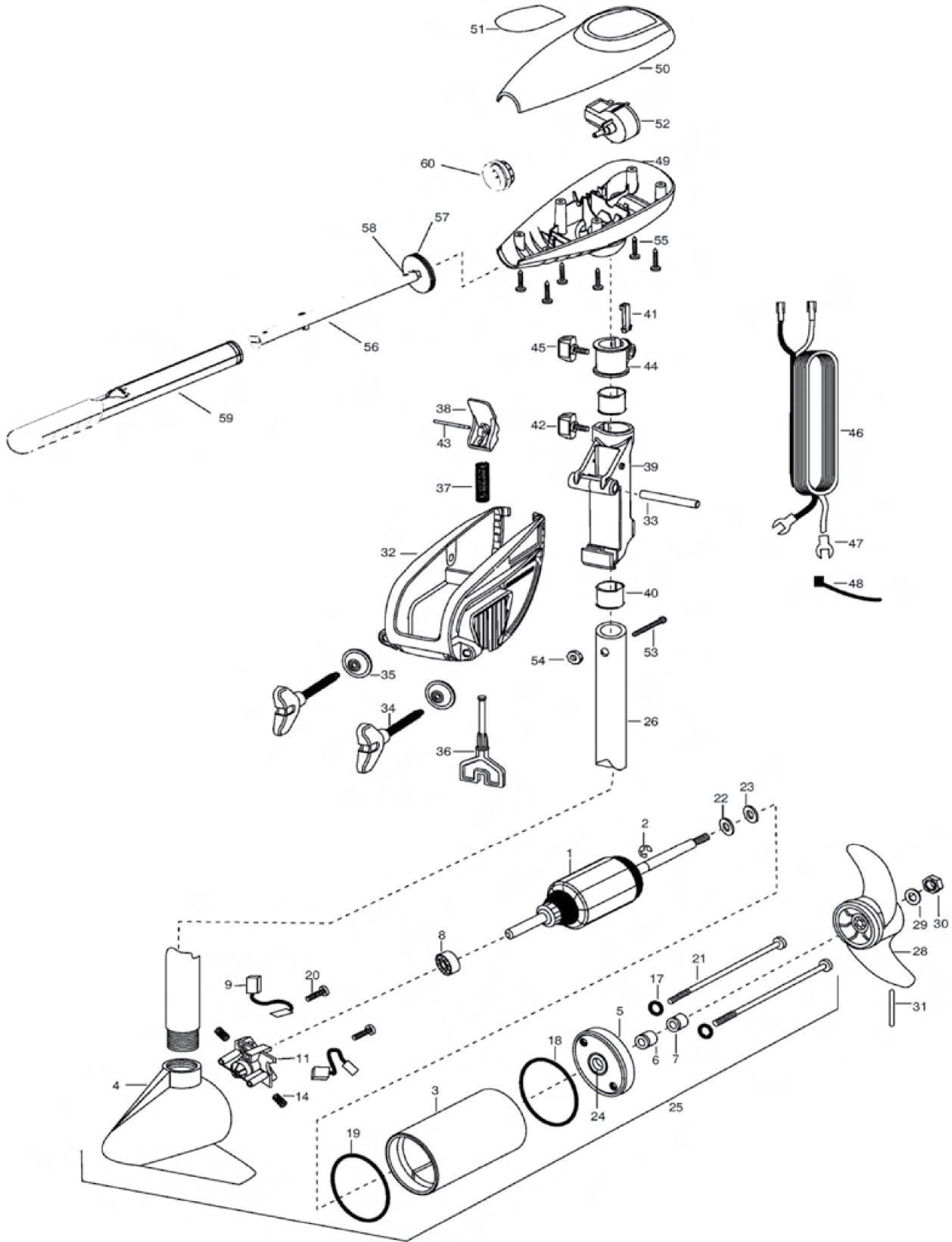


## ENDURA 40





MINN KOTA®

## ENDURA 40

1	2-100-278	ARMATURE ASSEMBLY 12V 3.25	■ 2771818	BRACKET & HINGE ASSEMBLY (INCLUDES- 32-43)	56	2990919	INNER HANDLE ASSEMBLY
2	788-015	RETAINING RING	■ 2771910	BRACKET ASSEMBLY (INCLUDES- 32,34,35)	57	2060405	PIVOT, HANDLE
3	2-200-079	HOUSING ASSEMBLY CENTER 3.25 TXT	*32 2081910	BRACKET	58	2012102	SCREW
4	2-300-132	BRUSH END HOUSING ASSEMBLY 3.25 SP.CO	33 2080510	PIN-HINGE	59	2990929	OUTER HANDLE ASSEMBLY
5	2-400-187	PLAIN END HOUSING ASSEMBLY 3.25	*34 2081300	SCREW-CLAMP [2.EA]	60	2060009	FRONT BEARING
6	880-003	SEAL	*35 2011710	WASHER-CLAMP SCREW [2.EA]	■	2883460	SEAL AND O RING KIT
7	880-006	SEAL W/SHIELD	36 2083605	T-BAR, PLASTIC			
8	140-010	BALL BEARING	37 2082706	SPRING- (T-BAR)			
9	188-052	BRUSH ASSEMBLY [2.EA]	38 2087201	LEVER-TILT BLACK			
11	738-030	BRUSH PLATE W/HOLDER 3.25	39 2081810	HINGE-PLASTIC			
14	975-032	SPRING- COMPRESSION [2.EA]	40 2037301	BUSHING-HINGE [2.EA]			
17	701-007	O-RING- THRU BOLT [2.EA]	41 2082800	TENSION BLOCK-SNAP IN			
18	701-039	O-RING MK406460	42 2011385	SCREW, TENSION/KNOB			
19	701-041	O-RING	43 2080515	PIN, TILT LEVER			
20	830-001	SCREW- SELF THREAD 8-32X1.7 [2.EA]	44 2081620	COLLAR-DEPTH			
21	830-078	THRU BOLT 8-32X8.0 [2.EA]	45 2011365	SCREW-COLLAR/NEW KNOB			
22	990-067	WASHER- STEEL THRUST	46 2050609	LEADWIRE (10 GA) W/SPADE TERM			
23	990-070	WASHER- NYLATRON [2.EA]	47 2020703	SPADE TERMINAL 14GA HD [2.EA]			
24	144-049	FLANGE BEARING (SERVICE ONLY)	48 2026300	TIE WRAP			
25	2069241	MOTOR ASSEMBLY 12V 3.25 5SPC TXT	49 2062510	CONTROL BOX			
26	2032046	TUBE, COMPOSITE 36"	50 2060214	CONTROL BOX COVER			
■	1378121	PROP W/DRIVE PIN, WASHER, NUT KIT	51 2065640	DECAL COVER ENDURA 40			
28	2061122	PROPELLER 3.25 HUB DIA	52 2064023	SWITCH-FWD/REV 5 SP			
29	2151726	WASHER- 5/16 STD SS	53 2033401	SCREW-10-24 X 1-3/4			
30	2053101	NUT-PROP NYLOCK (MED) SS	54 2013110	NUT-10-24 HEX			
31	2092600	PIN-DRIVE	55 2012100	SCREW-8-18 X 5/8 [6.EA]			

\* This item is part of an assembly. This item cannot be sold separately due to machining and /or assembly that is required.