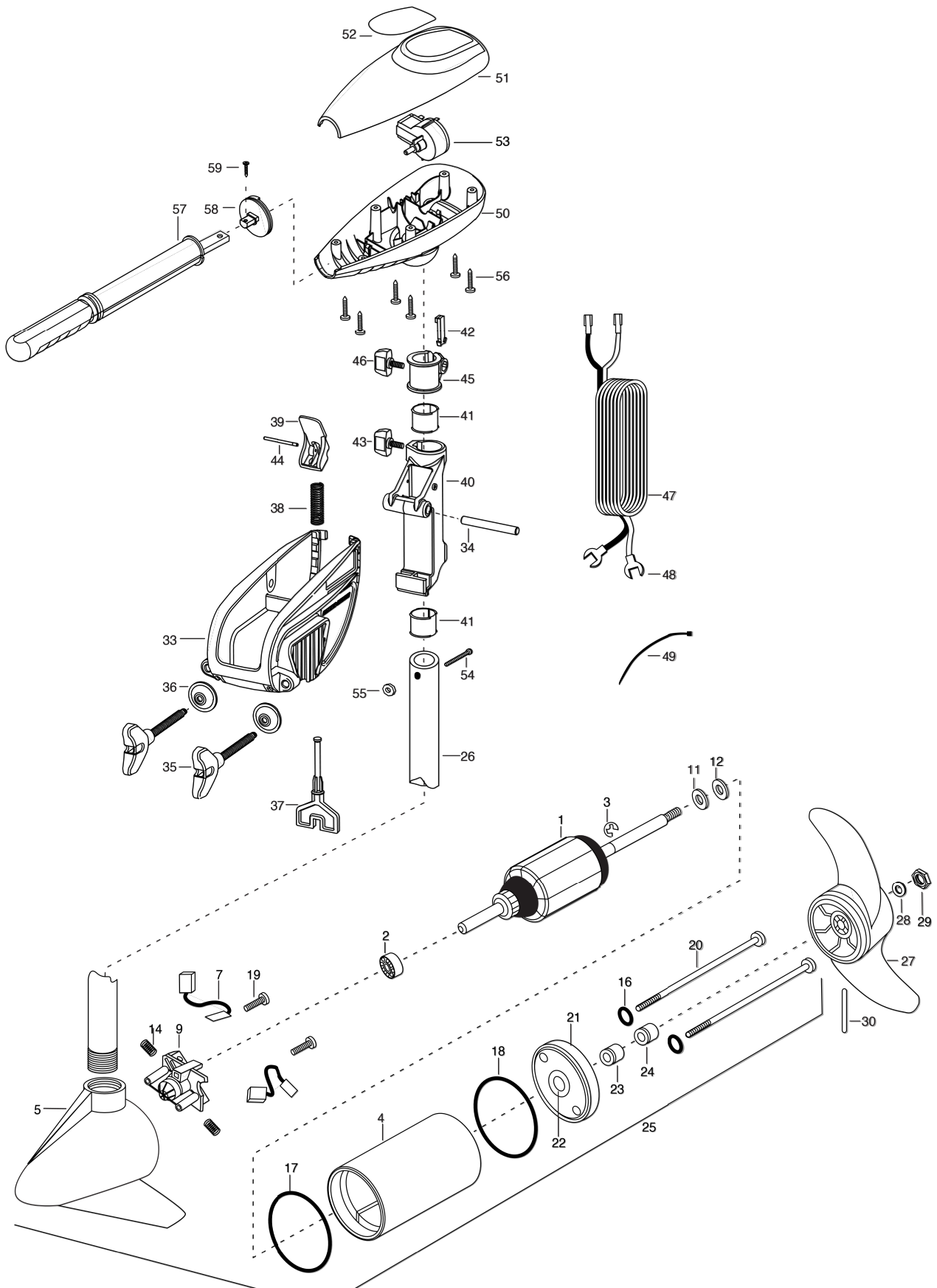


ENDURA 36





MINN KOTA®

ENDURA 36

1	2-100-278	ARM ASSEMBLY 12V 3.25				
2	140-010	BEARING-BALL		*35	2061300	SCREW-CLAMP ENDURA [2.EA]
3	788-015	RETAINING RING		*36	2011710	WASHER-CLAMP SCREW ENDURA [2.EA]
4	2-200-079	HOUSING ASSEMBLY CENTER 3.25 TXT		37	2063605	T-BAR, PLASTIC ENDURA
5	2-300-132	BRUSH END HOUSING ASSEMBLY		38	2062706	SPRING- (T-BAR) ENDURA
7	188-052	BRUSH ASSEMBLY [2 EA]		39	2067201	LEVER-TILT BLACK ENDURA
9	738-030	BRUSH PLATE W/HOLDER 3.25 ASSEMBLY		40	2061810	HINGE-PLASTIC ENDURA
11	990-067	WASHER- STEEL THRUST		41	2037301	BUSHING-HINGE [2.EA]
12	990-070	WASHER- NYLATRON [2.EA]		42	2062800	TENSION BLOCK-SNAP IN
14	975-032	SPRING - COMPRESSION [2.EA]		43	2011385	SCREW, TENSION/KNOB
16	701-007	**O-RING [2. EA]		44	2060515	PIN, TILT LEVER
17	701-041	**O-RING		45	2061520	COLLAR-DEPTH
18	701-039	**O-RING MK406460		46	2011365	SCREW-COLLAR/NEW KNOB
19	830-001	SCREW- SELF-THREAD 8-32X1.7 [2.EA]		47	2050609	LEADWIRE- 10 GA SPADE TERM
20	830-078	THRU BOLT 8-32 X 8.96 [2. EA]		48	2020702	SPADE TERMINAL 10GA [2.EA]
21	2-400-128	PLAIN END HOUSING ASSEMBLY		49	2256300	TIE WRAP
22	144-049	FLANGE BEARING (SERVICE ONLY)		50	2062510	CONTROL BOX
23	880-003	**SEAL		51	2060214	CONTROL BOX COVER
24	880-006	**SEAL WITH SHIELD		52	2065639	DECAL- COVER ENDURA 36
25	2069241	MOTOR ASSEMBLY 12V 3.25 5SPC TXT 47		53	2064023	SWITCH-FWD/REV 5 SP
26	2032046	TUBE, COMPOSITE 36"		54	2033401	SCREW-10-24 X 1-3/4 SHOULDER
■	1378122	PROP KIT		55	2013110	NUT-10-24 HEX NYLOC
27	2061122	PROPELLER 3.25 HUB DIA		56	2012100	SCREW-8-18 X 5/8 [6.EA]
28	2151726	WASHER- 5/16 STD SS		57	2990901	HANDLE ASSEMBLY 5 SPEED
29	2053101	NUT-PROP NYLOC (MED)		58	2060405	PIVOT, HANDLE
30	2092600	PIN-DRIVE		59	2012102	SCREW
■	2771818	BRACKET & HINGE ASSEMBLY (INCLUDES- 33—44)				
■	2771910	BRACKET ASSEMBLY (INCLUDES- 33,35,36)				
*33	2061910	BRACKET- ENDURA				
34	2060510	PIN-HINGE ENDURA				
■	2881300	SCREW CLAMP, WASHER, RETAINER KIT				

** Seal & Oring Kit P/N 2883460 * This item is part of an assembly. This item cannot be sold separately due to machining and for assembly that is required.