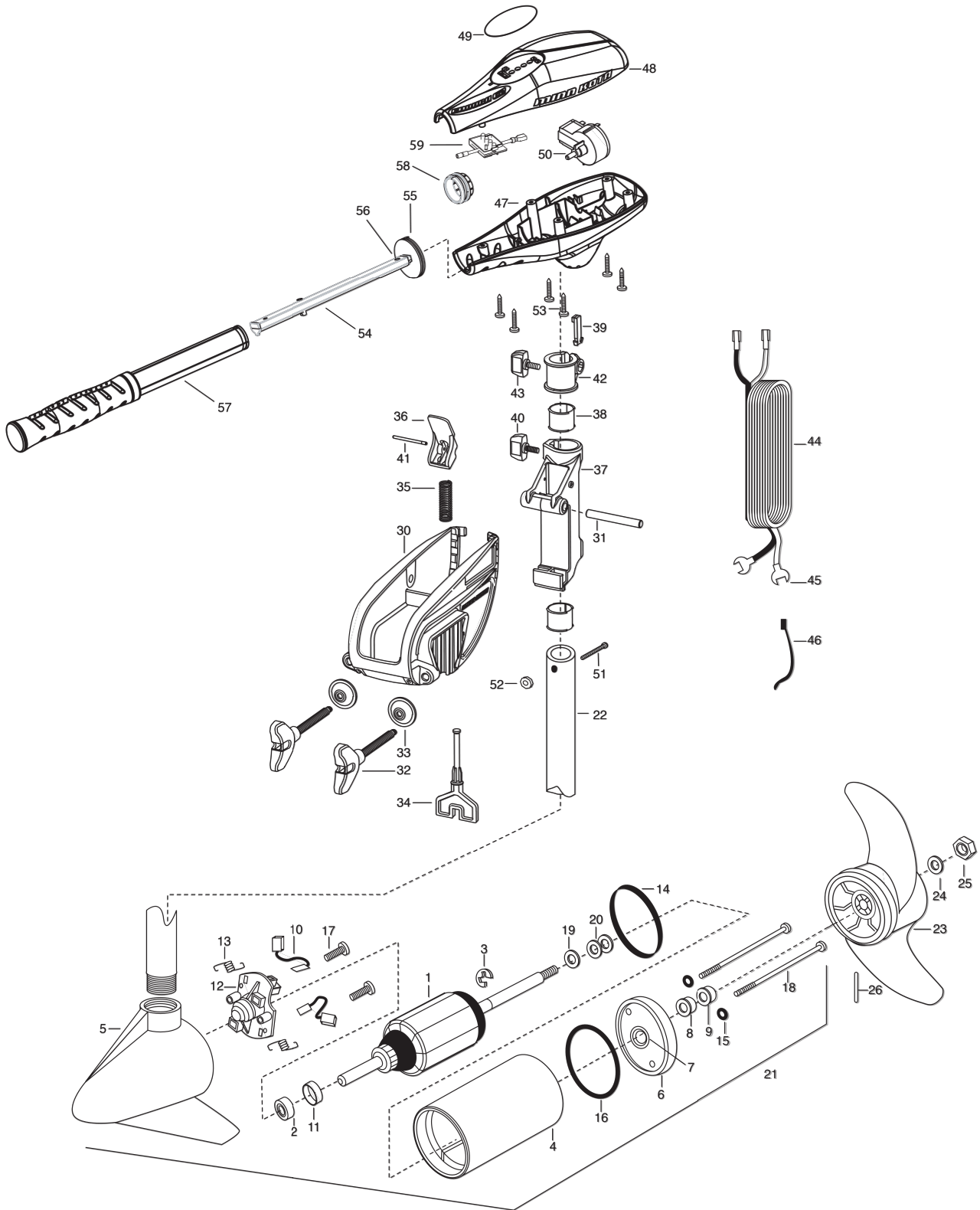


ENDURA C2 55





MINN KOTA®

ENDURA C2 55

<u>Item</u>	<u>Part Number</u>	<u>Description</u>	<u>Item</u>	<u>Part Number</u>	<u>Description</u>
1	2-100-121	ARMATURE ASSEMBLY 12v 3.62 FW	■	2881300	SCREW-CLAMP, WASHER, RETAINER KIT [2.EA]
2	140-010	BEARING- BALL	*32	2061300	SCREW-CLAMP [2.EA]
3	788-015	RETAINING RING	*33	2011710	WASHER-CLAMP [2.EA]
4	2-200-101	CENTER HOUSING ASSEMBLY-	34	2063605	T-BAR, PLASTIC
5	2-300-196	BRUSH END HOUSING ASSEMBLY 3.62 SPCO 36"	35	2062706	SPRING- T-BAR
6	2-300-195	BRUSH END HOUSING ASSEMBLY 3.62 SPCO 42"	36	2067201	LEVER- TILT BLACK
7	2-400-101	PLAIN END HOUSING ASSEMBLY	37	2061810	HINGE-PLASTIC
8	144-049	BEARING- FLANGE, SERVICE ONLY	38	2037301	BUSHING-HING [2.EA]
9	880-003	SEAL	39	2062800	TENSION BLOCK-SNAP IN
10	880-006	SEAL WITH SHIELD	40	2011385	SCREW, TENSION/KNOB
11	188-036	BRUSH ASSEMBLY [2.EA]	41	2060515	PIN, TILT LEVER
12	725-050	BRUSH RETENTION- PAPER TUBE	42	2061520	COLLAR-DEPTH
13	738-036	BRUSH PLATE WITH HOLDER	43	2011365	SCREW-COLLAR/NEW KNOB
14	975-040	SPRING-TORSION [2.EA]	44	2020631	LEADWIRE (10 GA) FLAG/PIGGYBACK
15	337-036	GASKET	45	2020702	SPADE TERMINAL 10GA. [2.EA]
16	701-008	O-RING [2.EA]	46	2026300	TIE WRAP [2.EA]
17	701-081	O-RING	47	2062515	CONTROL BOX
18	830-007	SCREW- # 8-32 [2.EA]	48	2060215	CONTROL BOX COVER
19	830-042	THRU BOLT 10-32X8.83 [2.EA]	49	2065725	DECAL COVER ENDURA C2 55 BATTERY METER
20	990-067	WASHER- STEEL THRUST	50	2064028	SWITCH-FWD/REV 5 SP
21	990-070	WASHER- NYLATRON [2.EA]	51	2033400	SCREW-10-24 X 1-3/4
22	2097085	MOTOR ASSEMBLY 12V 3.62 5SPC FW 36"	52	2013110	NUT-10-24 HEX
	2097086	MOTOR ASSEMBLY 12V 3.62 5SPC FW 42"	53	2012100	SCREW-8-18 X 5/8 [6.EA]
	2032052	TUBE COMPOSITE 36"	54	2990919	INNER HANDLE ASSEMBLY
	2032053	TUBE COMPOSITE 42"	55	2060405	PIVOT, HANDLE
	1378170	PROPELLER KIT	56	2012102	SCREW
23	2091170	PROP, POWER 3-5/8"	57	2990928	OUTER HANDLE ASSEMBLY
24	2151726	WAHER- 5/16 STD SS	58	2060009	FRONT BEARING
25	2053101	NUT- NYLOC 5/16	59	2074070	BATTERY METER 12V
26	2092600	PIN-DRIVE	■	2888460	O-RING, GASKET SEAL KIT
	2771818	BRACKET & HINGE ASSEMBLY (INCLUDES 30-41)			
	2771910	BRACKET ASSEMBLY (INCLUDES 30, 32, 33)			
*30	2061910	BRACKET			
31	2060510	PIN-HINGE			