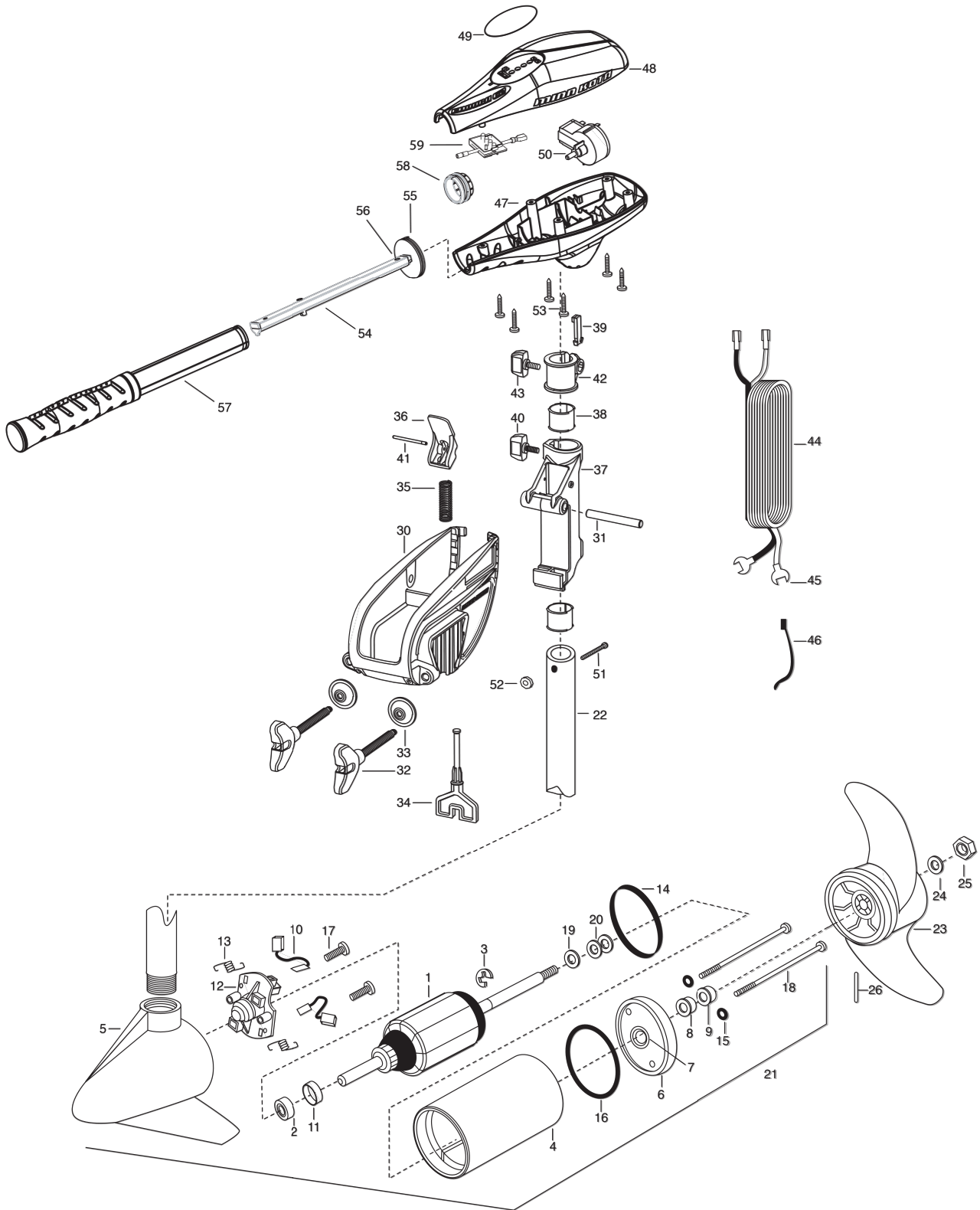


## ENDURA C2 50





MINN KOTA®

## ENDURA C2 50

| Item | Part Number | Description                               | Item | Part Number | Description                              |
|------|-------------|---|------|-------------|--|
| 1    | 2-100-121   | ARMATURE ASSEMBLY 12v 3.62                | ■    | 2881300     | SCREW-CLAMP, WASHER, RETAINER KIT [2.EA] |
| 2    | 140-010     | BEARING- BALL                             | *32  | 2061300     | SCREW-CLAMP [2.EA]                       |
| 3    | 788-015     | RETAINING RING                            | *33  | 2011710     | WASHER-CLAMP [2.EA]                      |
| 4    | 2-200-101   | CENTER HOUSING ASSEMBLY-                  | 34   | 2063605     | T-BAR, PLASTIC                           |
| 5    | 2-300-196   | BRUSH END HOUSING ASSEMBLY 3.62 SPCO 36"  | 35   | 2062706     | SPRING- T-BAR                            |
| 6    | 2-300-195   | BRUSH END HOUSING ASSEMBLY 3.62 SPCO 42"  | 36   | 2067201     | LEVER- TILT BLACK                        |
| 7    | 2-400-101   | PLAIN END HOUSING ASSEMBLY                | 37   | 2061810     | HINGE-PLASTIC                            |
| 8    | 144-049     | BEARING- FLANGE, SERVICE ONLY             | 38   | 2037301     | BUSHING-HING [2.EA]                      |
| 9    | 880-003     | SEAL                                      | 39   | 2062800     | TENSION BLOCK-SNAP IN                    |
| 10   | 880-006     | SEAL WITH SHIELD                          | 40   | 2011385     | SCREW, TENSION/KNOB                      |
| 11   | 188-036     | BRUSH ASSEMBLY [2.EA]                     | 41   | 2060515     | PIN, TILT LEVER                          |
| 12   | 725-050     | BRUSH RETENTION- PAPER TUBE               | 42   | 2061520     | COLLAR-DEPTH                             |
| 13   | 738-036     | BRUSH PLATE WITH HOLDER                   | 43   | 2011365     | SCREW-COLLAR/NEW KNOB                    |
| 14   | 975-040     | SPRING-TORSION [2.EA]                     | 44   | 2020631     | LEADWIRE (10 GA) FLAG/PIGGYBACK          |
| 15   | 337-036     | GASKET                                    | 45   | 2020702     | SPADE TERMINAL 10GA. [2.EA]              |
| 16   | 701-008     | O-RING [2.EA]                             | 46   | 2026300     | TIE WRAP [2.EA]                          |
| 17   | 701-081     | O-RING                                    | 47   | 2062515     | CONTROL BOX                              |
| 18   | 830-007     | SCREW- # 8-32 [2.EA]                      | 48   | 2060215     | CONTROL BOX COVER                        |
| 19   | 830-042     | THRU BOLT 10-32X8.83 [2.EA]               | 49   | 2065724     | DECAL COVER ENDURA C2 50 BATTERY METER   |
| 20   | 990-067     | WASHER- STEEL THRUST                      | 50   | 2064028     | SWITCH-FWD/REV 5 SP                      |
| 21   | 990-070     | WASHER- NYLATRON [2.EA]                   | 51   | 2033400     | SCREW-10-24 X 1-3/4                      |
| 22   | 2097035     | MOTOR ASSEMBLY 12V 3.62 5SPC FW 36"       | 52   | 2013110     | NUT-10-24 HEX                            |
| ■    | 2097036     | MOTOR ASSEMBLY 12V 3.62 5SPC FW 42"       | 53   | 2012100     | SCREW-8-18 X 5/8 [6.EA]                  |
| ■    | 2032052     | TUBE COMPOSITE 36"                        | 54   | 2990919     | INNER HANDLE ASSEMBLY                    |
| ■    | 2032053     | TUBE COMPOSITE 42"                        | 55   | 2060405     | PIVOT, HANDLE                            |
| 23   | 1378170     | PROPELLER KIT                             | 56   | 2012102     | SCREW                                    |
| 24   | 2091170     | PROP, POWER 3-5/8"                        | 57   | 2990928     | OUTER HANDLE ASSEMBLY                    |
| 25   | 2151726     | WASHER- 5/16 STD SS                       | 58   | 2060009     | FRONT BEARING                            |
| 26   | 2053101     | NUT- NYLOC 5/16                           | 59   | 2074070     | BATTERY METER 12V                        |
| ■    | 2092600     | PIN-DRIVE                                 | ■    | 2888460     | O-RING, GASKET SEAL KIT                  |
| ■    | 2771818     | BRACKET & HINGE ASSEMBLY (INCLUDES 30-41) |      |             |  |
| ■    | 2771910     | BRACKET ASSEMBLY (INCLUDES 30, 32, 33)    |      |             |  |
| *30  | 2061910     | BRACKET                                   |      |             |  |
| 31   | 2060510     | PIN-HINGE                                 |      |             |  |