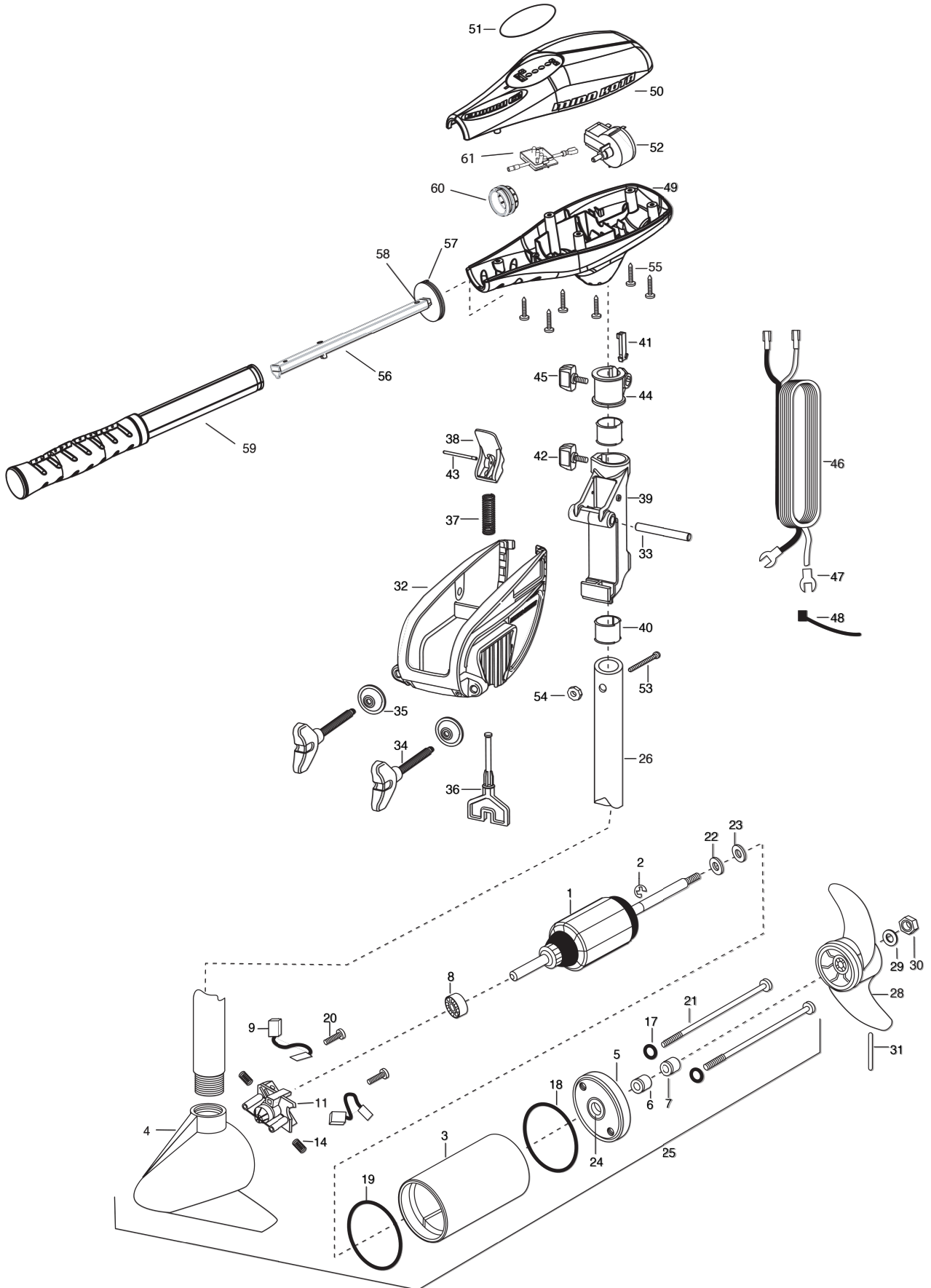


ENDURA C2 30





MINN KOTA®

ENDURA C2 30

<u>Item</u>	<u>Part Number</u>	<u>Description</u>	<u>Item</u>	<u>Part Number</u>	<u>Description</u>
1	2-100-285	ARMATURE ASSEMBLY 12v 3.25	38	2067201	LEVER-TILT BLACK
2	788-015	RETAINING RING	39	2061810	HINGES-PLASTIC
3	2-200-188	HOUSING ASSEMBLY CENTER 3.25 TXT	40	2037301	BUSHING-HINGE [2.EA]
4	2-300-142	BRUSH END HOUSING ASSEMBLY 3.25 SP.CO	41	2062800	TENSION BLOCK-SNAP IN
5	2-400-187	PLAIN END HOUSING ASSEMBLY 3.25	42	2011385	SCREW, TENSION/KNOB
6	880-003	SEAL	43	2060515	PIN, TILT LEVER
7	880-006	SEAL W/SHIELD	44	2061520	COLLAR-DEPTH
8	140-010	BALL BEARING	45	2011365	SCREW-COLLAR/NEW KNOB
9	188-052	BRUSH ASSEMBLY [2.EA]	46	2020630	LEADWIRE (14 GA) FLAG/PIGGYBACK
11	738-030	BRUSH PLATE W/HOLDER 3.25	47	2020703	SPADE TERMINAL 14GA HD [2.EA]
14	975-032	SPRING-COMPRESSION [2.EA]	48	2026300	TIE WRAP
17	701-007	O-RING- THRU BOLT [2.EA]	49	2062515	CONTROL BOX
18	701-039	O-RING MK406460	50	2060215	CONTROL BOX COVER
19	701-041	O-RING	51	2065720	DECAL COVER ENDURA C2 30 BATTERY METER
20	830-001	SCREW- SELF THREAD 8-32X1.7 [2.EA]	52	2064028	SWITCH-FWD/REV 5 SP
21	830-062	THRU BOLT 8-32X8.0 [2.EA]	53	2033401	SCREW-10-24 X 1-3/4
22	990-067	WASHER- STEEL THRUST	54	2013110	NUT-10-24 HEX
23	990-070	WASHER- NYLATRON [2.EA]	55	2012100	SCREW-8-18 X 5/8 [6.EA]
24	144-049	FLANGE BEARING (SERVICE ONLY)	56	2990919	INNER HANDLE ASSEMBLY
25	2069275	MOTOR ASSEMBLY 12 V 3.25 5SPC TXT	57	2060405	PIVOT, HANDLE
26	2032045	TUBE, COMPOSITE 30"	58	2012102	SCREW
■	1378121	PROP W/DRIVE PIN, WASHER, NUT KIT	59	2990928	OUTER HANDLE ASSEMBLY
28	2061122	PROPELLER 3.25 HUB DIA	60	2060009	FRONT BEARING
29	2151726	WASHER- 5/16 STD SS	61	2074070	BATTERY METER 12V
30	2053101	NUT-PROP NYLOCK (MED) SS	■	2883460	SEAL AND O RING KIT
31	2092600	PIN-DRIVE			
■	2771818	BRACKET & HINGE ASSEMBLY (INCLUDES 32-43)			
■	2771910	BRACKET ASSEMBLY (INCLUDES 32, 34, 35)			
*32	2061910	BRACKET			
33	2060510	PIN-HINGE			
*34	2061300	SCREW-CLAM [2.EA]			
*35	2011710	WASHER-CLAMP SCREW [2.EA]			
36	2063605	T-BAR, PLASTIC			
37	2062706	SPRING- (T-BAR)			