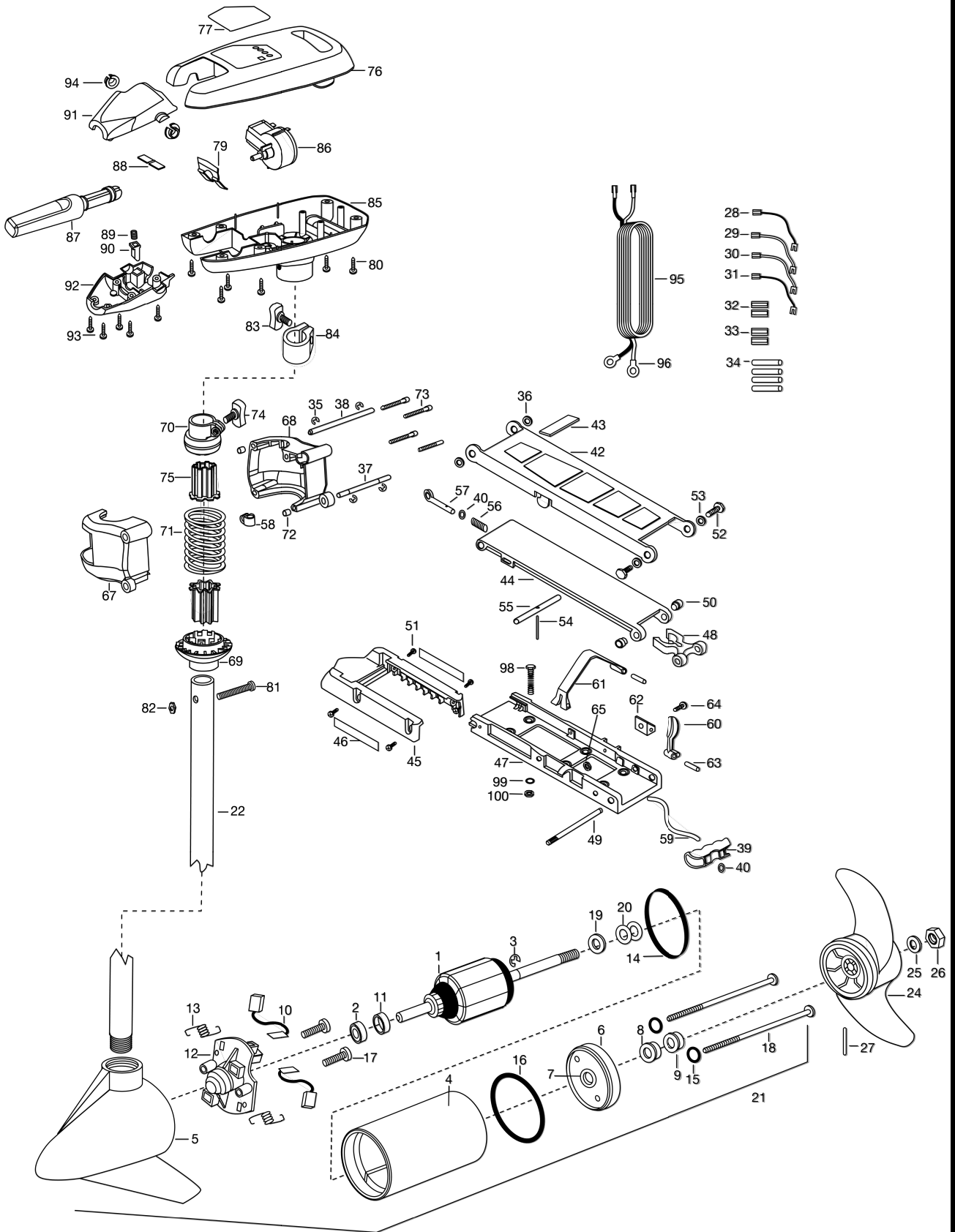




MINN KOTA®

ALL TERRAIN 55 (HAND CONTROL)



MINN KOTA®

W W W . N A V I C O M . F R





MINN KOTA®

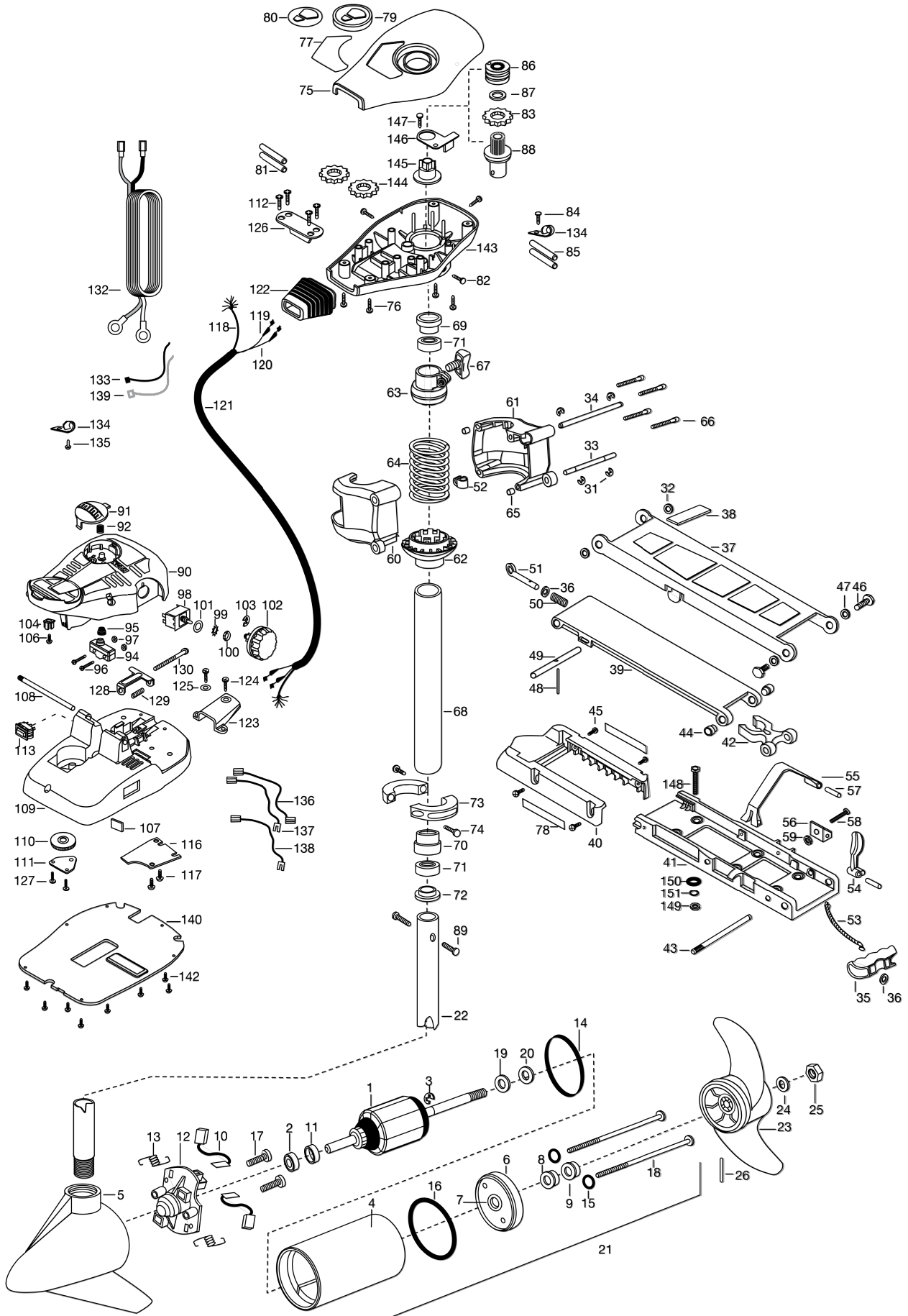
ALL TERRAIN 55 (HAND CONTROL)

1	92-100-0133	ARMATURE ASSEMBLY 24V 3.625 65#	35	2263010	E-RING 3/8 DIA SHAFT [4.EA]	69	2261535	SPRING SLEEVE LWR
2	140-010	BEARING-BALL	36	2293500	BUSHING-SHOULDER UPR ARM [2.EA]	70	2261525	SPRING-SLEEVE UPPER
3	788-015	RETAINING RING	37	2260530	HINGE-PIN LOWER SS	71	2262704	SPRING-BOWGUARD HAND CT
4	431-101	CENTER HOUSING ASSEMBLY	38	2260520	HINGE-PIN UPPER SS	72	2267300	BUSHING-DOWEL [2.EA]
5	2-300-196	BRUSH END HOUSING ASSEMBLY SPDCO	39	2150400	PULL-GRIP	73	2263470	SCREW-1/4-20 X 1-3/4 [4.EA]
6	2-400-101	PLAIN END HOUSING ASSEMBLY	40	2151700	WASHER-EYE SHAFT .562 OD [2.EA]	74	2011365	SCREW-COLLAR/NEW KNOB
7	144-049	BEARING- FLANGE SERVICE ONLY	■	2991872	BOW MOUNT ASSEMBLY 65AT	75	2264702	INSERT- TUBE 2PER
8	880-003	**SEAL	42	2264221	ARM-UPPER, STD, FW	76	2060283	COVER-CONTROL BOX
9	880-006	**SEAL-W/SHIELD	43	2265120	BUMPER UPPER ARM	77	2185609	DECAL-COVER 55AT/H
10	188-036	BRUSH ASSEMBLY [2.EA]	44	2254353	ARM-LWR AT FW MACH'D BG360	79	2302743	SPRING-DETENT HANDLE-TILT
11	725-050	TUBE- BRUSH RETENTION	45	2263900	MOTOR REST A/T	80	2303412	SCREW-6-20 X 5/8 SELF TAP [6.EA]
12	738-036	BRUSH PLATE WITH HOLDER	46	2265631	DECAL- MOTOR REST [2 EA]	81	2033400	SCREW-10-24 X 1-3/4]
13	975-040	SPRING- TORSION [2.EA]	47	2251922	BOW PLATE-MACHINED	82	2013110	NUT-10-24 HEX (ZCP)
14	337-036	**GASKET	48	2293801	TUBE LOCK-D'	83	2011365	SCREW-COLLAR/NEW KNOB
15	701-008	**O-RING THRU BOLT [2.EA]	49	2260506	HINGE-PIN (HEADLESS) ZINC [2.EA]	84	2031520	COLLAR-DEPTH W/O INSERT
16	701-081	**O-RING	50	2236000	BEARING NYLINER-[2.EA]	85	2062551	CONTROL BOX PLAS W/HAND
17	830-007	#8-32 SCREW [2.EA]	51	2303431	SCREW 1/4-20X5/8PPH [4.EA]	86	2064023	SWITCH-FWD/REV 5SP
18	830-042	THRU BOLT 10-32X9.205 [2.EA]	52	2293511	BOLT-UPPER ARM W/LOCITITE [2.EA]	87	2990912	HANDLE ASSEMBLY-W/U-JOINT 5SP
19	990-067	WASHER- STEEL THRUST	53	2293500	BUSHING-SHOULDER UPR ARM [2.EA]	88	2302742	SPRING-DETENT OFF
20	990-070	WASHER-NYLATRON [2.EA]	54	2152610	SPRING-PIN LOCKBAR	89	2302745	SPRING-RELEASE BUTTON
21	2099092	MOTOR ASSEMBLY 12V FW 3.625 5SPCO	55	2233600	LOCK BAR- BOW MOUNT	90	2303720	RELEASE BUTTON-HANDLE
22	2032068	TUBE- COMPOSITE-52"	56	2152700	SPRING- LOCKBAR CAD,PLTH	91	2060408	HANDLE- TOP HALF
■	1378122	PROPELLER KIT	57	2153600	EYE SHAFT-CAD,PLATE	92	2060415	HANDLE- LOWER HALF
*24	2091150	PROPELLER- W/WEDGE	58	2262310	GUIDE-ROPE	93	2303412	SCREW-6-20 X 5/8 SELF TAP [5.EA]
*25	2151726	WASHER- 5/16 SS	59	2251600	ROPE- 31'	94	2060005	BEARING-HANDLE PIVOT [2.EA]
*26	2053101	NUT-PROP NYLOC MEDIUM	60	2267200	LATCH LEVER	95	2090600	LEADWIRE -10 GA RINGS
*27	2092600	PIN-DRIVE 95-4HP'S	61	2263800	STRAP-HOLD DOWN	96	2020700	TERMINAL RING, 3/8" [2.EA]
28	2030312	WIRE EXTENSION 18"-16GA N	62	2261910	BRACKET HOLD DOWN STRAP	■	2994838	BAG ASSEMBLY-BOLTS NUTS WASHERS
29	2030313	WIRE EXTENSION 18"-18GA YEL	63	2260500	PIN-ROLL LATCH LEVER [2.EA]	*98	2263462	SCREW 1/4-20X2 SS [6.EA]
30	2030316	WIRE EXTENSION 18"- BLK	64	2263440	SCREW-10-24 X 3/4	*99	2261713	WASHER-1/4 FLAT 18-18 [6.EA]
31	2030317	WIRE EXTENSION 18" - RED	65	2333101	NUT-HEX 3HP-SS NYLOC	*100	2263103	NUT- 1/4-20 NYLOC-JAM [6.EA]
32	2030710	CONNECTOR BUTT [2.EA]	■	2991873	BOWGUARD ASSEMBLY 65AT/H			
33	2030711	CONNECTOR BUTT [2.EA]	67	2261921	BRACKET BASE-LEFT			
34	2375400	SHRINK TUBE 1/4ODX1-3/4 [4.EA]	68	2261931	BRACKET BASE-RGHT			

**Seal & Oring Kit P/N 2888460

* This item is part of an assembly. This item cannot be sold separately due to machining and/or assembly that is required.

ALL TERRAIN 55





MINN KOTA®

ALL TERRAIN 55

1	92-100-013	ARMATURE ASSEMBLY 12V 3.625 55#	52	2262310	GUIDE-ROPE	99	2261701	LOCKWASHER -STAR
2	140-010	BEARING-BALL	53	2251600	ROPE- 31"	100	2263105	NUT-HEX 3/8-24 JAM
3	788-015	RETAINING RING	54	2267200	LATCH LEVER	101	2261715	SPACER-SWITCH 5 SP MODELS
4	431-101	CENTER HOUSING ASSEMBLY	55	2263800	STRAP-HOLD DOWN	102	2260170	KNOB-SPEED CONTROL 5 SPD
5	2-300-196	BRUSH END HOUSING ASSEMBLY 3.625 SPD CO	56	2261910	BRACKET HOLD DOWN STRAP	103	2263000	E-RING TRU-ARC
6	2-400-101	PLAIN END HOUSINGASSEMBLY 3.625	57	2260500	PIN-ROLL LATCH LEVER [2.EA]	104	2260730	CONNECTOR 1/4 MALE TAB
7	144-049	BEARING- FLANGE SERVICE ONLY	58	2263440	SCREW-10-24 X 3/4	106	2332103	SCREW-6-20 X 3/8 THD SS
8	880-003	**SEAL	59	2333101	NUT-HEX 10-24 NYLOC	107	2266413	TENSION SCREW PLATE- FT PED
9	880-006	**SEAL-W/SHIELD	60	2291944	BOWGUARD ASSEMBLY	108	2260511	PIN- PIVOT A/T FT PDL
10	188-036	BRUSH ASSEMBLY [2.EA]	61	2261981	BRACKET BASE-LEFT	109	22692102	FT PED BASE/PIN ASSEMBLY
11	725-050	TUBE- BRUSH RETENTION	62	2261986	BRACKET BASE-RGHT	110	2262301	PULLEY FOOT PEDAL
12	738-036	BRUSH PLATE WITH HOLDER	63	2261535	SPRING-SLEEVE LOWER	111	2266400	COVER-PULLEY STAMPING
13	975-040	SPRING- TORSION [2.EA]	64	2261525	SPRING-SLEEVE UPPER	112	2223430	SCREW #8X3/4 PPH TYPE 25 [4.EA]
14	337-036	**GASKET	65	2262712	SPRING, BOWGUARD, NIK PL	113	2254031	SWITCH-MOM/OFF/COM
15	701-008	**O-RING THRU BOLT [2.EA]	66	2267300	BUSHING-DOWEL [2.EA]	116	2266412	SWITCH PLATE- FT PEDAL
16	701-081	**O-RING	67	2263470	SCREW-1/4-20 X 1-3/4 SS [4.EA]	117	2332103	SCREW-6-20 X 3/8 THD SS [2.EA]
17	830-007	#6-32 SCREW [2.EA]	68	2011365	SCREW-COLLAR/NEW KNOB	118	2261208	WIRE HARNES, A/T FT, PED
18	830-008	THRU BOLT 10-32X9.205 [2.EA]	69	2092015	TUBE W/BEARING RACE ASSEMBLY 18"	119	2267500	CABLE ASSEMBLY-RIGHT 5'
19	990-067	WASHER- STEEL THRUST	70	2992016	TUBE W/BEARING RACE ASSEMBLY 24"	120	2267510	CABLE ASSEMBLY-LEFT 5'
20	990-070	WASHER-NYLATRON [2.EA]	71	2272066	TUBE OUTER-18" 4 HOLES	121	2265430	CABLE JACKET 5"
21	2099092	MOTOR ASSEMBLY 12V 3.625 5SPD FW 55#	72	2272067	TUBE OUTER-24" 4 HOLES	122	2265110	BOOT-CONTROL BOX
22	2032063	TUBE- COMPW/CSK HOLE-42"	73	2266260	BEARING RACE	123	2265115	BOOT-FOOT PEDAL BASE
23	1378122	TUBE- COMPW/CSK HOLE-52"	74	2266220	BEARING RACE-STEEL	124	2372100	SCREW-8-18 X 5/8 THD [2.EA]
24	2091150	PROPELLER KIT	75	2266000	BEARING BALL-STEEL [2.EA]	125	2261714	WASHER-MAXXUM FT PDL [2.EA]
25	2053101	PROPELLER- W/WEDGE	76	2266115	BEARING CONE	126	2261901	BRACKET-CONDUIT AT/MAX
26	2151726	WASHER- 5/16 SS	77	2261619	COLLAR HALF-ZINC-2 PER	127	2301310	SCREW-8-18 X 1/2 [2.EA]
27	2053101	NUT-PROP NYLOC MEDIUM	78	2263462	SCREW-1/4-20 X 3/4 [2.EA]	128	2263210	BRACKET-CONDUIT ADJUSTMENT
28	2092600	PIN-DRIVE 95-4HP'S	79	2260284	COVER- CONTROL BOX AT/FC BLK	129	2262720	SPRING-CONDUIT ADJUSTMENT
29	2293500	E-RING 3/8 DIA. SHAFT [4.EA]	80	2372100	SCREW-8-18 X 5/8 THD SS [4.EA]	130	2263463	SCREW-1/4-20 X 2 STL PPH
30	2293500	BUSHING-SHOULDER UPPER ARM [2.EA]	81	2265654	DECAL- COVER 58A7/ F BLK	132	2261225	LEADWIRE BATTERY
31	2263010	HINGE PIN-LOWER SS	82	2265631	DECAL- MOTOR REST [2.EA]	133	2256300	TIE WRAP-5.5" BLACK
32	2263010	HINGE PIN-UPPER	83	2260150	POINTER DISC TRNSLCLNT RED	134	2263201	CLAMP WIRE HARNES MICRO [2.EA]
33	2150400	PULL-GRIP	84	2265800	SHRINK TUBE-1/4OD X 1-3/4 [2.EA]	135	2332103	SCREW-6-20 X 3/8 THD SS
34	2151700	WASHER-EYE SHAFT.562 OD	85	2375400	SHRINK TUBE-3/8 OD X 2 [2.EA]	136	2260301	CONNECTING WIRE SWITCH
35	2264221	ARM-UPPER STD FW	86	2053414	SCREW #8-32 X 1/2 TRI-LOBE [3.EA]	137	2260312	WIRE.BLK W/WHITE STRP 19 1/2"
36	2265120	BUMPER- UPPER ARM	87	2267800	GEAR-INDICATOR	138	2260322	WIRE.BLK W/BLUE STRP-12"
37	2254353	ARM- LWR FW MCHD	88	2301310	SCREW-8-18 X 1/2	139	2256301	TIE WRAP-5.5" WHITE
38	2263900	MOTOR REST AT	89	2355410	SHRINK TUBE-3/8 OD X 2 [2.EA]	140	2266414	BOTTOM PLATE MAX FOOTPEDAL
39	2251922	TUBE LOCK-D	90	2232360	PULLEY-CABLE DRUM	142	9953104	SCREW-8 X 1/2 S/S [8.EA]
40	2293801	HINGE-PIN HEADLESS ZINC	91	2261730	WASHER-NYLON A/T CON B	143	2262535	CONTROL BOX-PLASTIC A/Ts
41	2293801	HINGE-PIN HEADLESS ZINC	92	2261730	TOP BEARING RACE /PINION DRIVE	144	2267800	GEAR-INDICATOR [2.EA]
42	2293801	HINGE-PIN HEADLESS ZINC	93	2263410	SCREW-8-32 X 5/16 ZN PL [2.EA]	145	2262220	INDICATOR-DRIVE
43	2293801	HINGE-PIN HEADLESS ZINC	94	2263410	SCREW-8-32 X 5/16 ZN PL [2.EA]	146	2261905	BRACKET/INDICATOR
44	2293801	HINGE-PIN HEADLESS ZINC	95	2263700	FOOT PEDAL/PULG ASSEMBLY AT	147	2301310	SCREW-8-18 X 1/2 SS
45	2293801	HINGE-PIN HEADLESS ZINC	96	2263700	PUSH-BUTTON FOOT PEDAL	148	2994838	BAG ASSEMBLY-BOLTS,NUTS,WASHER
46	2293801	HINGE-PIN HEADLESS ZINC	97	2263700	FOOT PEDAL/PULG ASSEMBLY AT	149	2263462	SCREW- 14-20X2 SS [6.EA]
47	2293801	HINGE-PIN HEADLESS ZINC	98	2263700	FOOT PEDAL/PULG ASSEMBLY AT	150	2153103	NUT- 1/4-20NYLOC JAM [6.EA]
48	2293801	HINGE-PIN HEADLESS ZINC	99	2263700	FOOT PEDAL/PULG ASSEMBLY AT	151	2301720	WASHER- MOUNTING RUBBER [6.EA]
49	2293801	HINGE-PIN HEADLESS ZINC	100	2263700	FOOT PEDAL/PULG ASSEMBLY AT			
50	2293801	HINGE-PIN HEADLESS ZINC	101	2263700	FOOT PEDAL/PULG ASSEMBLY AT			
51	2293801	HINGE-PIN HEADLESS ZINC	102	2263700	FOOT PEDAL/PULG ASSEMBLY AT			

**Seal & Oring Kit P/N 2888460

* This item is part of an assembly. This item cannot be sold separately due to machining and for assembly that is required.