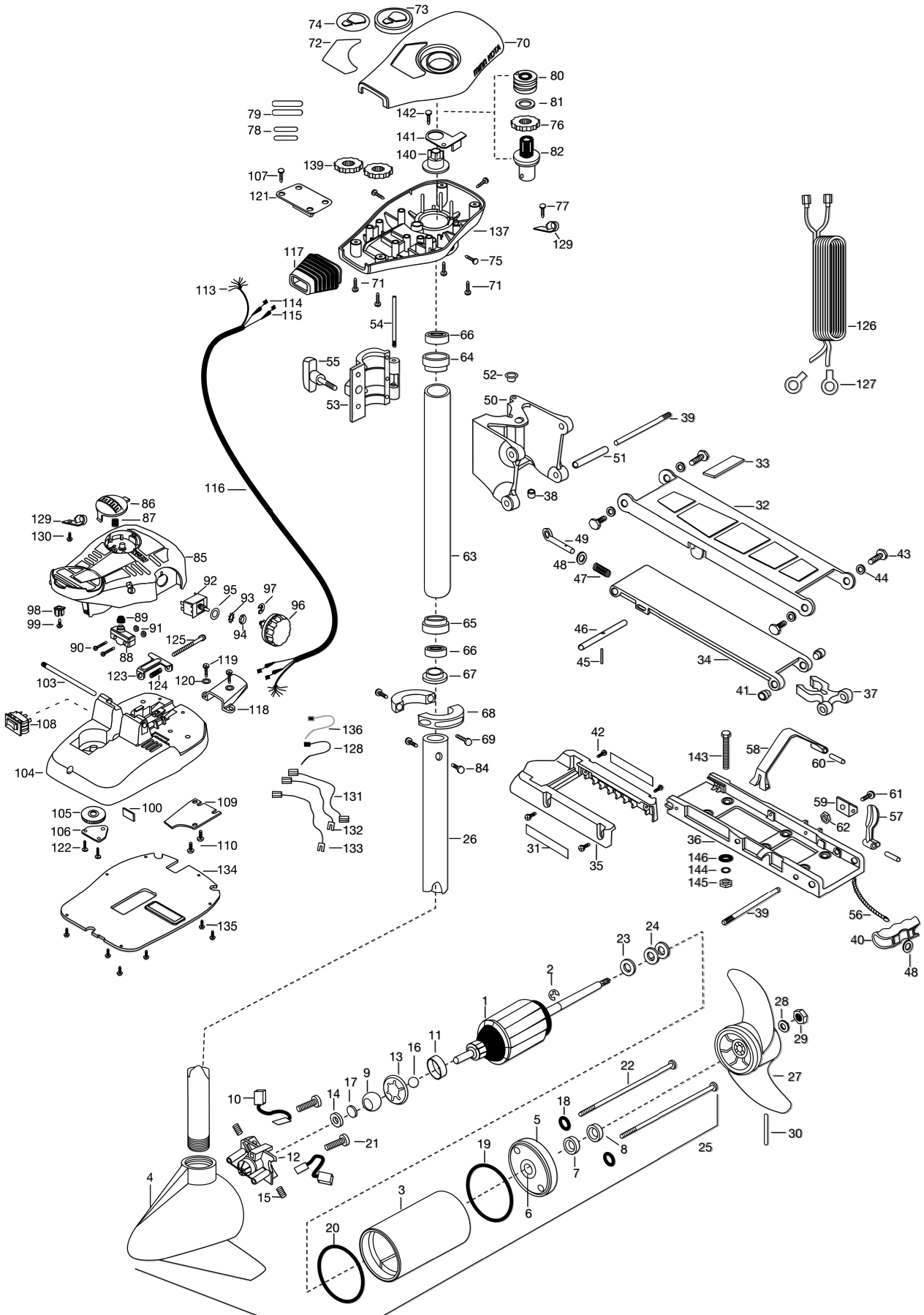




MINN KOTA®

ALL TERRAIN 40 (OUTDOOR EDITION)



MINN KOTA®

W W W . N A V I C O M . F R





MINN KOTA®

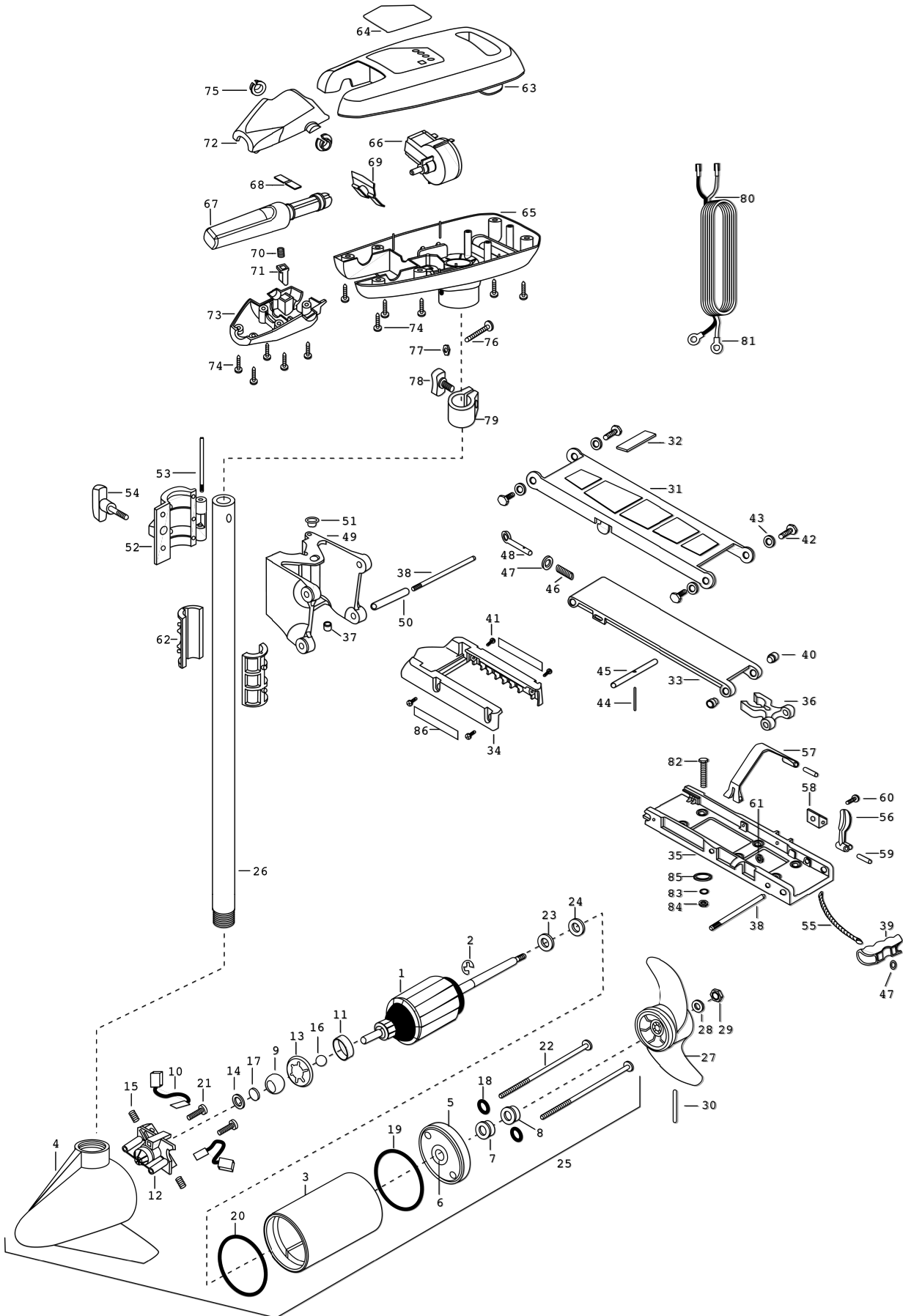
ALL TERRAIN 40 (OUTDOOR EDITION)

1	2-100-001	ARM ASSEMBLY 12V 3.25	46	2233600	LOCK BAR- BOW MOUNT	95	2261715	SPACER-SWITCH 5 SP MODELS
2	788-015	RETAINING RING	47	2152700	SPRING-LOCKBAR CAD.PLT	96	2260170	KNOB-SPEED CONTROL 5SPD
3	431-079	HOUSING ASSEMBLY CENTER 3.25.TXT	48	2151700	WASHER-EYE SHAFT .562 OD [2.EA]	97	2263000	E-RING TRU-ARC
4	2-300-132	HOUSING- ASSEMBLY BRUSH END 3.25 SP.CO	49	2153600	EYE SHAFT-CAD.PLATE	98	2260730	CONNECTOR 1/4 MALE TAB
5	2-400-127	PLAIN END HOUSING ASSEMBLY	50	2261800	HINGE BASE-FW STD OLIVE	99	2332103	SCREW-6-20 X 3/8
6	144-049	BEARING- FLANGE [SERVICE ONLY]	51	2231570	SLEEVE ROLLER -HINGE BRACKET	100	2266413	TENSION SCREW PLATE FT PEDL
7	880-003	**SEAL	52	2232350	EYELEF-ROPE	103	2260511	PIN-PIVOT AT FT PDL
8	880-006	**SEAL WITH SHIELD	53	2261805	HINGE DOOR- AT SW STD OLIVE	104	2992102	FT PEDAL BASE/PIN ASSEMBLY SONAR
9	144-050	BEARING - SPHERICAL	54	2262640	PIN-HINGE DOOR	105	2262301	PULLEY- FOOT PEDAL
10	188-052	BRUSH ASSEMBLY [2.EA]	55	2260183	KNOB-HINGE COVER AT FW	106	2266400	COVER-PULLEY STAMPING
11	725-033	BRUSH RETENTION- PAPER TUBE	56	2251600	ROPE- 3/1"	107	2223430	SCREW-#8X 3/4 PPH TYPE 25 SS [4.EA]
12	738-030	BRUSH PLATE W/HOLDER 3.25	57	2267200	LATCH LEVER	108	2254031	SWITCH-MOM/OFF/COM
13	784-036	BEARING RETAINER	58	2263800	STRAP-HOLD DOWN	109	2266412	SWITCH PLATE. FT PEDAL
14	991-025	WASHER- FELT	59	2261910	BRACKET HOLD DOWN STRAP	110	2332103	SCREW-6-20 X 3/8 THD [2.EA]
15	975-032	SPRING- COMPRESSION [2.EA]	60	2260500	PIN-ROLL LATCH LEVER [2.EA]	113	2261208	WIRE HARNESS, AT FT. PED
16	116-020	BALL- STEEL	61	2263440	SCREW-10-24 X 3 4	114	2267500	CABLE ASSEMBLY-RIGHT 5'
17	303-039	THRUST DISC- METAL	62	2333101	NUX-HEX 3HP-SS NYLOC	115	2267510	CABLE ASSEMBLY-LEFT 5'
18	701-007	**O-RING [2. EA]	63	2722015	TUBE W/BEARING RACE ASSEMBLY	116	2266430	CABLE JACKET 5'
19	701-039	**O-RING MK406460	64	2272066	BEARING RACE	117	2265110	BOOT-CONTROL BOX
20	701-041	**O-RING	64	2266260	BEARING RACE-STEEL	118	2265115	BOOT-FOOT PEDAL BASE
21	830-001	SCREW- SELF-THREAD 8-32X1.7 [2.EA]	65	2266220	BEARING BALL-STEEL [2.EA]	119	2372100	SCREW-8-18 X 5/8 THD [2.EA]
22	830-078	THRU BOLT 8-32 X 8.96 [2.EA]	66	2266000	BEARING CONE	120	2261714	WASHER-MAXXUM FT PDL [2.EA]
23	990-067	WASHER- STEEL THRUST	67	2266115	COLLAR HALF-ZINC- [2.EA]	121	2261901	BRACKET-CONDUIT AT/MAX
24	990-070	WASHER- NYLATRON [2.EA]	68	2261619	SCREW-1/4X20 X 3/4 SHCS SS [2. A]	122	2301310	SCREW-8-18 X 1/2 [2.EA]
25	2068050	MTR ASSEMBLY 12V 3.25 5SPD	69	2263452	COVER-CTR BOX AT/FC OLIVE	123	2263210	BRACKET- CONDUIT ADJUSTMENT
26	2032060	TUBE (COMP)W/CSK HOLE 42"	70	2260285	SCREW-8-18 X 5/8 THD [4.EA]	124	2262720	SPRING-CONDUIT ADJUSTMENT
27	1378126	PROPELLER KIT	71	2372100	DECAL-COVER 40AT/FC	125	2263463	SCREW-1/4-20 X 2 STL PPH
28	2061125	PROPELLER W/WEDGE	72	2265621	POINTER DISC TRNSLNT RED	126	2261225	LEADWIRE-BATTERY
29	2151726	WASHER- 5/16 SS	73	2260150	DECAL-INDICATOR	127	2202070	TERMINAL RING, 3/8" [2.EA]
30	2092600	PIN-DRIVE SS	74	2265800	SCREW-8-32 X 1/2 TRI LOBE [3. EA]	128	2256300	TIE WRAP-5.5" BLACK
31	2265631	DECAL- MOTOR REST AT [2.EA]	75	2053414	GEAR-INDICATOR	129	2263201	CLAMP WIRE HARNESS MICRO
32	2264223	ARM-UPPER-STD.FW	76	2267800	SCREW-8-18 X 1/2 SS	130	2332103	CONNECTING WIRE -SWITCH
33	2265120	BUMPER-UPPER ARM	77	2301310	SHRINK TUBE-1/4OD X 1-3/4 [2. EA]	131	2260301	WIRE.BLK W/WHT- 19 1/2
34	2254355	ARM-LWR FW MCHD STD	78	2375400	SHRINK TUBE-3/8 OD X 2 [2. EA]	133	2260322	WIRE.BLK W/BLUE -12"
35	2263900	MOTOR REST	80	2232360	PULLEY-CABLE DRUM	134	2266414	BOTTOM PLATE MAX FOOT
36	2251926	BOW PLATE-AT FW OLIVE	81	2261730	WASHER-NYLON AT	135	9953104	SCREW-8 X 1/2" SS [8.EA]
37	2293801	TUBE LOCK-"D"	82	2996245	TOP BEARING RACE/ PINION DR.	136	2256301	TIE WRAP 5.5 WHITE
38	2264705	INSERT-HINGE BASE STD MT	84	2263410	SCREW-8-32 X 5/16 ZN PL [2.EA]	137	2262536	CONTROL BOX-PLASTIC AT OLIVE
39	2260506	HINGE-PIN HEADLESS ZINC [2.EA]	85	2790002	FOOT PEDAL/PLUG ASSEMBLY AT	139	2267800	GEAR-INDICATOR [2.EA]
40	2150400	PULL-GRIP	86	2263700	PUSH-BUTTON FOOT PEDAL	140	2262220	INDICATOR-DRIVE
41	2236000	BEARING NYLINER- [2.EA]	87	2302732	SPRING-LOWER PEDAL SS	141	2261905	BRACKET/INDICATOR
42	2303431	SCREW 1/4-20X5/8"PPH [4. EA]	88	2264020	SWITCH MOMENTARY	142	2301310	SCREW-8-18 X 1/2 (SS
43	2293511	BOLT-UPPER ARM W/LOCITITE [4.EA]	89	2265140	BOOT-MICROSWITCH	143	2994837	BAG ASSEMBLY-(INCL)143,144,145,146
44	2293500	BUSHING-SHOULDER UPPER ARM [2.EA]	90	2262114	SCREW-MOUNTING/SWITCH [2.EA]	*143	2263462	SCREW 1/4-20X2 SS [4.EA]
45	2152610	SPRING-PIN LOCKEAR	91	2233100	NUX-SWITCH MOUNT [2.EA]	*144	2261713	WASHER-1/4 FLAT 18-18 [4.EA]
			92	2264026	SWITCH-S SPEED	*145	2263103	NUT- 1/4-20 NYLOC-JAM [4.EA]
			93	2261701	LOCKWASHER-STAR	*146	2301720	WASHER.MOUNTING RUBBER [6. EA]
			94	2263105	NUX-HEX			

**Seal & Oring Kit P/N 2883460

THIS ITEM IS PART OF AN ASSEMBLY. THIS ITEM CANNOT BE SOLD SEPARATELY DUE TO MACHINING AND/OR ASSEMBLY THAT IS REQUIRED.

ALL TERRAIN 40 (HAND CONTROL)





MINN KOTA®

ALL TERRAIN 40 (HAND CONTROL)

1	2-100-001	ARM ASSEMBLY 12V 3.25 FW 40#	■ 2771970	STD-BOWMT FW H/CTRL ASSEMBLY	60	2263440	SCREW-10-24 X 3/4
2	788-015	RETAINING RING	31 2264221	ARM-UPPER, STD, FW	61	2333101	NUT-HEX 3HP-SS NYLOC
3	431-079	HOUSING ASSEMBLY CENTER 3.25 TXT	32 2265120	BUMPER UPPER ARM	62	2151592	HINGE-SLEEVE HALF-AT [2.EA]
4	2-300-132	HOUSING ASSEMBLY BRUSH END 3.25 SPCO	■ 2774310	ARM-LOWER ASSEMBLY FW	63	2060283	COVER-CONTROL BOX AT/H BLK
5	2-400-127	PLAIN END HOUSING ASSEMBLY		INCL. 33,44,45,46,47,48,39,55	64	2185606	DECAL-COVER 40AT/HC
6	144-049	BEARING - FLANGE [SERVICE ONLY]	33 2254352	ARM-LWR FW	65	2062551	CONTROL BOX PLAS W/HAND
7	880-003	**SEAL	34 2263900	MOTOR REST AT	66	2064023	SWITCH-FWD/REV 5SP
8	880-006	**SEAL WITH SHIELD	35 2251922	BOW PLATE-D/C	67	2990912	HANDLE ASSEMBLY-W/U-JOINT 5SP
9	144-050	BEARING - SPHERICAL	36 2293801	TUBE LOCK-D'	68	2302742	SPRING-DETENT OFF
10	188-052	BRUSH ASSEMBLY [2.EA]	37 2264705	INSERT-HINGE BASE (STD MT)	69	2302743	SPRING-DETENT HANDLE-TILT
11	725-033	BRUSH RETENTION- PAPER TUBE	38 2260506	HINGE-PIN (HEADLESS) ZINC [2.EA]	70	2302745	SPRING-RELEASE BUTTON
12	738-031	BRUSH PLATE W/HOLDER 3.25	39 2150400	PULL-GRIP	71	2303720	RELEASE BUTTON-HANDLE
		ASSEMBLY INCLUDES 14,17,18	40 2236000	BEARING NYLINER- [2.EA]	72	2060408	HANDLE- TOP HALF
13	784-036	BEARING RETAINER	41 2303431	SCREW 1/4-20X5/8'PPH [4.EA]	73	2060415	HANDLE- LOWER HALF
14	991-025	WASHER - FELT	42 2293511	BOLT-UPPER ARM W/LOCITITE [4.EA]	74	2303412	SCREW-6-20 X 5/8 SELF TAP [11.EA]
15	975-032	SPRING - COMPRESSION [2.EA]	43 2293500	BUSHING-SHOULDER UPR ARM [4.EA]	75	2060005	BEARING-HANDLE PIVOT [2.EA]
16	116-020	BALL - STEEL	44 2152610	SPRING-PIN LOCKBAR	76	2033400	SCREW-10-24 X 1-3/4
17	303-039	THRUST DISC - METAL	45 2233600	LOCK BAR- BOW MOUNT	77	2013110	NUT-10-24 HEX (ZCP)
18	701-007	**O-RING [2.EA]	46 2152700	SPRING- LOCKBAR CAD,PLTH	78	2011365	SCREW-COLLAR/NEW KNOB
19	701-039	**O-RING MK406460	47 2151700	WASHER-EYE SHAFT .562 OD [2.EA]	79	2031520	COLLAR-DEPTH W/O INSERT
20	701-041	**O-RING	48 2153600	EYE SHAFT-CAD,PLATE	80	2090600	LEADWIRE -10 GA RINGS
21	830-001	SCREW - #8-32X1.75 SELF-THRE [2.EA]	49 2261811	HINGE BASE-F/W	81	2020700	TERMINAL RING, 3/8" [2.EA]
22	830-078	THRU BOLT 8-32 X 8.96 [2.EA]	50 2231570	SLEEVE ROLLER- HINGE BRACKET	■ 2994837		BAG ASSEMBLY
23	990-067	WASHER - STEEL THRUST	51 2232350	EYELET-ROPE	*82	2263462	SCREW 1/4-20X2 SS [4.EA]
24	990-070	WASHER - NYLATRON [2.EA]	52 2261821	HINGE DOOR-PAINTED F/W	*83	2261713	WASHER-1/4 FLAT 18-18 [4.EA]
25	2068050	MOTOR ASSEMBLY 12V/3.25 5SPC FW 40#	53 2262640	PIN-HINGE DOOR	*84	2263103	NUT- 1/4-20 NYLOC-JAM [4.EA]
26	2032053	TUBE-COMPOSITE 42"	54 2260183	KNOB-HINGE COVER AT FW	*85	2301720	WASHER,MOUNTING RUBBER [6.EA]
■ 1378122	PROPELLER KIT		55 2251600	ROPE- 31'	86	2265631	DECAL- MOTOR REST AT [2.EA]
27	2061125	PROP (65 WEEDLESS WEDGE)	56 2267200	LATCH LEVER			
28	2151726	WASHER-5/16 STD SS	57 2263800	STRAP-HOLD DOWN			
29	2053101	NUT-PROP NYLOCK MED	58 2261910	BRACKET HOLD DOWN STRAP			
30	2092600	PIN-DRIVE (95-4HP'S) (SS)	59 2260500	PIN-ROLL LATCH LEVER [2.EA]			

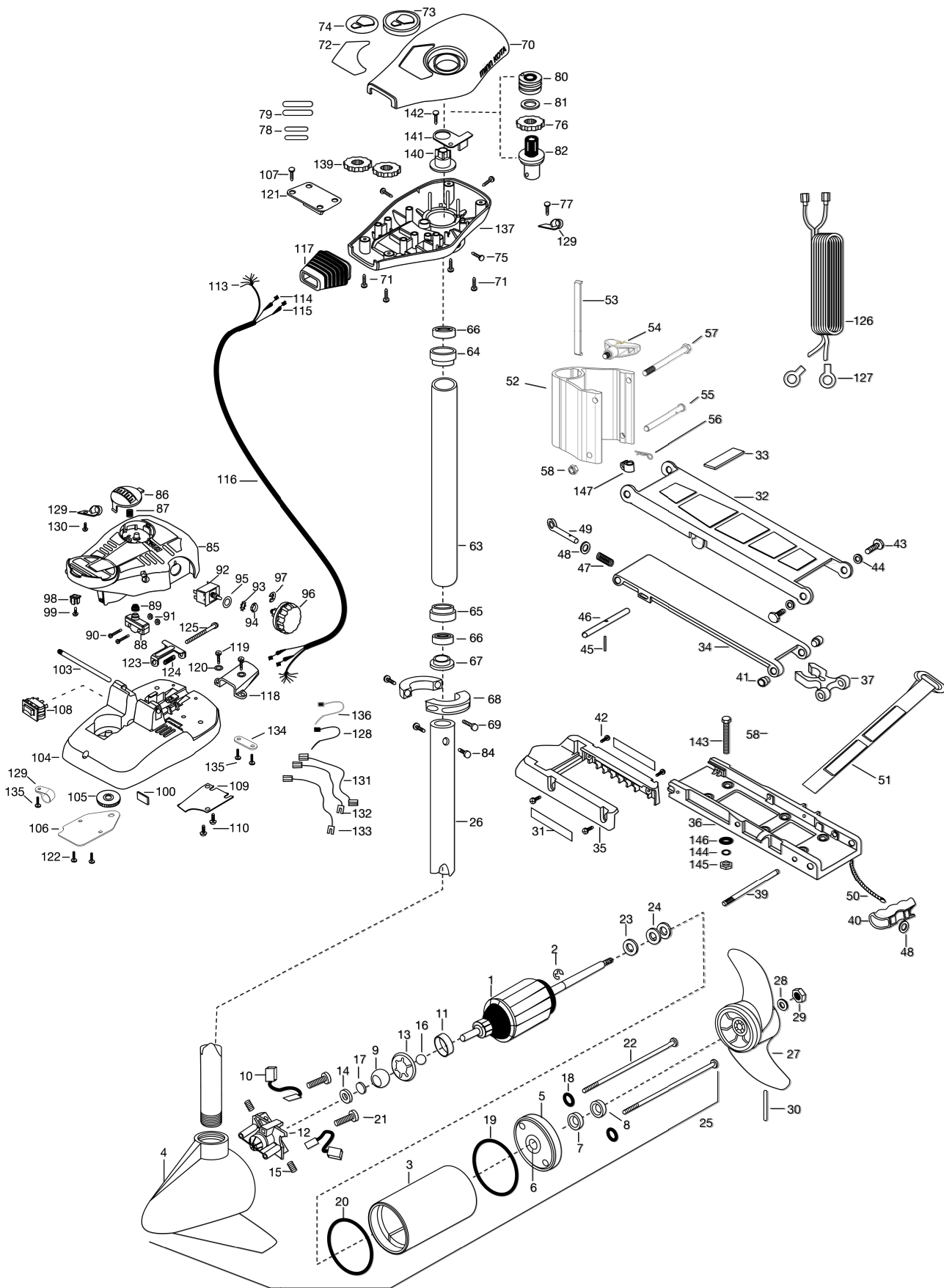
* This item is part of an assembly. This item cannot be sold separately due to machining and for assembly that is required.

**Seal & Oring Kit P/N 2883460



MINN KOTA®

ALL TERRAIN 40



MINN KOTA®

W W W . N A V I C O M . F R





MINN KOTA®

ALL TERRAIN 40

1	2-100-001	ARM ASSEMBLY 12V 3.25	46	2233600	LOCK BAR- BOW MOUNT	97	2263000	E-RING TRU-ARC
2	788-015	RETAINING RING	47	2152700	SPRING-LOCKBAR CAD.PLT	98	2260730	CONNECTOR 1/4 MALE TAB
3	431-079	HOUSING ASSEMBLY CENTER 3.25 TXT	48	2151700	WASHER-EYE SHAFT .562 OD [2.EA]	99	2332103	SCREW-6-20 X 3/8
4	2-300-132	HOUSING- ASSEMBLY BRUSH END 3.25 SPCO	49	2153600	EYE SHAFT-CAD.PLATE	100	2266413	TENSION SCREW PLATE FT PEDL
5	2-400-127	PLAIN END HOUSING ASSEMBLY	50	2251601	ROPE- 40"	103	2260511	PIN-PIVOT AT FT PDL
6	144-049	BEARING- FLANGE [SERVICE ONLY]	51	2263805	VELCRO STRAP	104	2992104	FT PEDAL BASE/PIN ASSEMBLY SONAR
7	880-003	**SEAL	52	2261831	1 PIECE HINGE	105	2262301	PULLEY- FOOT PEDAL
8	880-006	**SEAL WITH SHIELD	53	2268610	TENSION PLATE	106	2266401	COVER-PULLEY STAMPING
9	144-050	BEARING - SPHERICAL	54	2050919	HANDLE TENSION	107	2223430	SCREW-#8X 3/4 PPH TYPE 25 SS [4.EA]
10	188-052	BRUSH ASSEMBLY [2.EA]	55	2262608	CLEVIS PIN	108	2254031	SWITCH-MOM/OFF/COM
11	725-033	BRUSH RETENTION- PAPER TUBE	56	2260801	HAIR SPRING CLIP	109	2266412	SWITCH PLATE, FT PEDAL
12	738-030	BRUSH PLATE W/HOLDER 3.25	57	2383410	BOLT 3/8-16 X 6"	110	2332103	SCREW-6-20 X 3/8 THD [2.EA]
13	784-036	BEARING RETAINER	58	9950153	NUT 3/8-16 NYLOC	113	2261208	WIRE HARNESS, AT FT. PED
14	991-025	WASHER- FELT	■	2772015	TUBE W/BEARING RACE ASSEMBLY 18"	114	2267500	CABLE ASSEMBLY-RIGHT 5'
15	975-032	SPRING- COMPRESSION [2.EA]	■	2772012	TUBE W/BEARING RACE ASSEMBLY 21"	115	2267510	CABLE ASSEMBLY-LEFT 5'
16	116-020	BALL- STEEL	63	2272066	TUBE OUTER -18" 4 HOLES	116	2265430	CABLE JACKET 5'
17	303-039	THRUST DISC- METAL	64	2272064	TUBE OUTER -21" 4 HOLES	117	2265110	BOOT-CONTROL BOX
18	701-007	**O-RING [2.EA]	64	2266260	BEARING RACE	118	2265115	BOOT-FOOT PEDAL BASE
19	701-039	**O-RING MK406460	65	2266220	BEARING RACE-STEEL	119	2372100	SCREW-8-18 X 5/8 THD [2.EA]
20	701-041	**O-RING	66	2266000	BEARING BALL-STEEL [2.EA]	120	2261714	WASHER-MAXXUM FT PDL [2.EA]
21	830-001	SCREW- SELF-THREAD 8-32X1.7 [2.EA]	67	2266115	BEARING CONE	121	2261901	BRACKET-CONDUIT AT/MAX
22	830-078	THRU BOLT 8-32 X 8.96 [2.EA]	68	2261619	COLLAR HALF-ZINC- [2.EA]	122	2301310	SCREW-8-18 X 1/2 [2.EA]
23	990-067	WASHER- STEEL THRUST	69	2263452	SCREW-1/4X20 X 3/4 SHCS SS [2. A]	123	2263210	BRACKET- CONDUIT ADJUSTMENT
24	990-070	WASHER- NYLATRON [2.EA]	70	2260284	COVER-CTR BOX AT/FC BLK	124	2262720	SPRING-CONDUIT ADJUSTMENT
25	2068050	MTR ASSEMBLY 12V 3.25 5SPD	71	2372100	SCREW-8-18 X 5/8 THD [4.EA]	125	2263466	SCREW-1/4-20 X 2 STL PPH
26	2032062	TUBE (COMP)W/CSK HOLE 36"	72	2265621	DECAL-COVER 40AT/FC	126	2261225	LEADWIRE-BATTERY
■	2032064	TUBE (COMP)W/CSK HOLE 48"	73	2260150	POINTER DISC TRNSLCNT RED	127	2020700	TERMINAL RING, 3/8" [2.EA]
■	2032063	TUBE (COMP)W/CSK HOLE 42"	74	2265800	DECAL-INDICATOR	128	2256300	TIE WRAP-5.5" BLACK
27	2061125	PROPELLER KIT	75	2053414	SCREW-8-32 X 1/2 TRI LOBE [3. EA]	129	2263201	CLAMP WIRE HARNESS MICRO
28	2151726	WASHER- 5/16 SS	76	2267800	GEAR-INDICATOR	130	2332103	SCREW-6-20 X 3/8 THD
29	2053101	NUT-PROP NYLOC	77	2301310	SCREW-8-18 X 1/2 SS	131	2260301	CONNECTING WIRE -SWITCH
30	2092600	PIN-DRIVE SS	78	2375400	SHRINK TUBE-1/40D X 1-3/4 [2.EA]	132	2260312	WIRE.BLK W/WHT- 19 1/2
31	2265631	DECAL- MOTOR REST AT [2.EA]	79	2355410	SHRINK TUBE-3/8 OD X 2 [2. EA]	133	2260322	WIRE.BLK W/BLU- -12"
■	2771831	STD-BOWMT ASSY AT 1-PC	80	2232360	PULLEY-CABLE DRUM	134	2263205	LEADWIRE CLAMP
32	2264221	ARM-UPPER STD.FW	81	2261730	WASHER-NYLON AT	135	9953104	SCREW-8 X 1/2" SS
33	2265120	BUMPER -UPPER ARM	82	2776203	BEARING RACE/ PINION ASSEMBLY	136	2256301	TIE WRAP 5.5 WHITE
■	2774310	ARM-LOWER FW ASSEMBLY [INCL. 34,45,46,47,48,49,40,56]	85	2790002	SCREW-8-32 X 5/16 ZN PL [2.EA]	137	2262535	CONTROL BOX-PLASTIC
34	2254353	ARM-LWR FW MCHD	86	2263700	FOOT PEDAL/PLUG ASSEMBLY AT	139	2267800	GEAR-INDICATOR [2.EA]
35	2263900	MOTOR REST	87	2302732	PUSH-BUTTON FOOT PEDAL	140	2262220	INDICATOR-DRIVE
36	2251922	BOW PLATE-D C MCHD	88	2264020	SWITCH LOWER PEDAL SS	141	2261905	BRACKET/INDICATOR
37	2293804	TUBE LOCK	89	2265140	SWITCH MOMENTARY	142	2301310	SCREW-8-18 X 1/2 (SS
40	2150400	PULL-GRIP	90	2262114	BOOT/MICROSWITCH	■	2994837	BAG ASSEMBLY-(INCL.143,144,145,146
41	2236000	BEARING NYLONER- [2.EA]	91	2263100	SCREW-MOUNTING/SWITCH [2.EA]	*143	2263462	SCREW 1/4-20X2 SS [4.EA]
42	2303431	SCREW 1/4-20X5/8"PPH [4. EA]	92	2264026	NUT-SWITCH MOUNT [2.EA]	*144	2261713	WASHER-1/4 FLAT 18-18 [4.EA]
43	2293511	BOLT-UPPER ARM W/LOCITITE [2.EA]	93	2261701	SWITCH-S SPEED	*145	2263103	NUT- 1/4-20 NYLOC-JAM [4.EA]
44	2293500	BUSHING-SHOULDER UPPER ARM [4.EA]	94	2263105	LOCKWASHER-STAR	*146	2301720	WASHER MOUNTING RUBBER [6. EA]
45	2152610	SPRING-PIN LOCKEAR	95	2261715	NUT-HEX	147	2262310	GUIDE ROPE
			96	2260170	SPACER-SWITCH 5 SP MODELS			
					KNOB-SPEED CONTROL 5SPD			