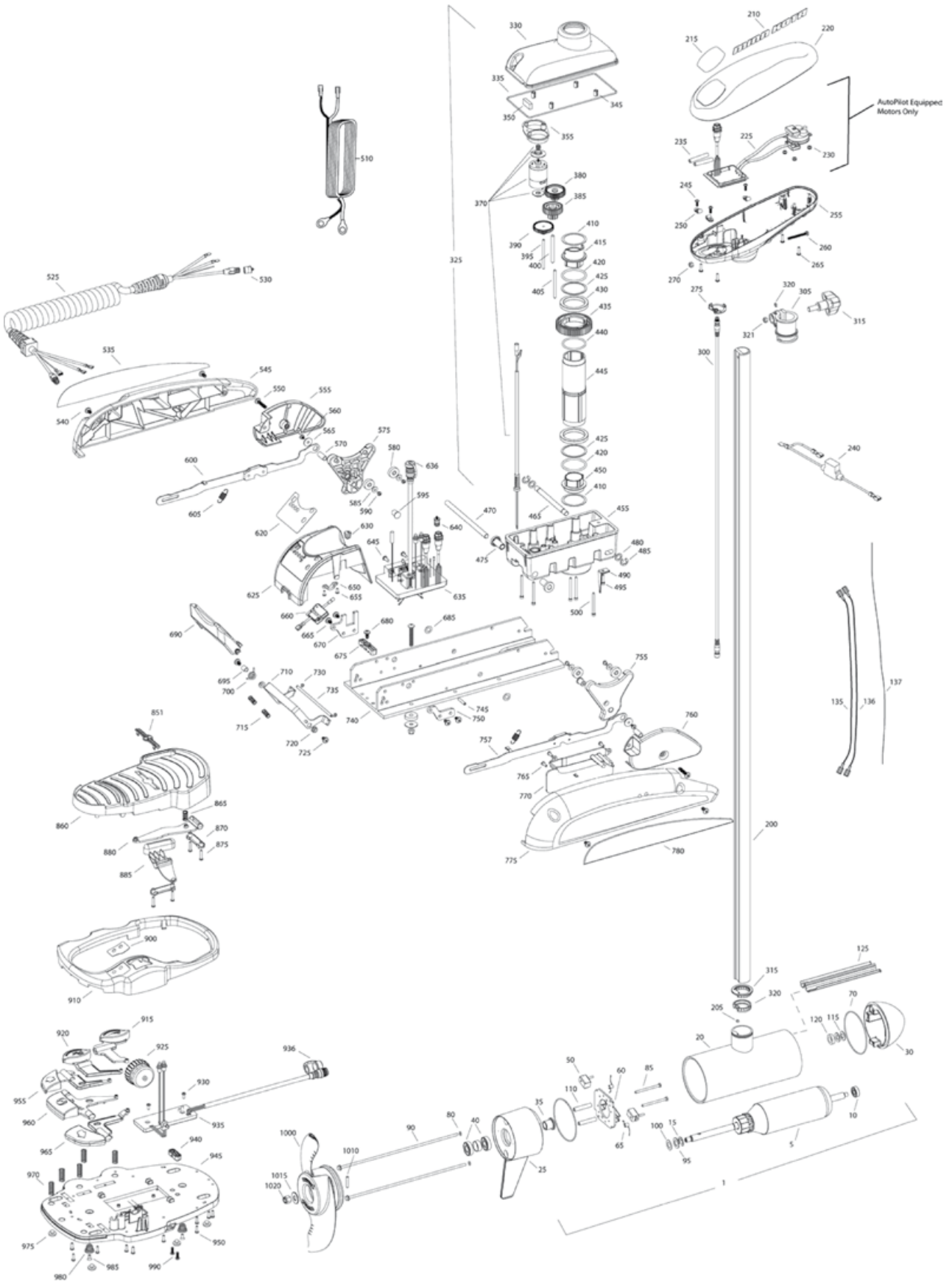


TERROVA 101





MINN KOTA®

TERROVA 101

Item	P/N	Description	Qty	Item	P/N	Description	Qty	Item	P/N	Description	Qty
1	2777052	36V Motor 60" FW	1	320	2321706	Washer (included in #305)	1	2770250	2770250	Cover, speed control with decal	1
	2777051	36V Motor 54" FW	1	321	2321102	Nut (included in #305)	1	620	2325650	Decal, speed control	1
	2777054	36V Motor US2 60"	1	325	2997025	Steering housing	1	625	2320210	Cover, speed control	1
	2777068	36V Motor US2 54"	1	330	2326501	Steering housing top	1	630	2322801	Strain relief	1
5	2-100-216	Armature assembly	1	335	2324604	O-ring, case seal	1	635	2324012	Control board, 24-36v	1
10	140-010	Bearing	1	345	2305605	Roll pin 5/16	4	636	2320208	Switch-reed repair kit	1
15	788-040	Retaining ring	1	350	2308601	Breather, filter	1	640	2320203	Dust plug	1
20	2-300-170	Included in #200 assembly	1	355	2328610	Cradle, motor	1	645	2323406	Cap, dust, control board	2
25	421-276	Brush end housing assembly	1	370	2777025	Motor, steering assembly	1	650	2321315	Screw, 10-24 x	2
30	9421-286	Plain end housing assembly STD	1	380	2302255	Gear, cluster 3rd stage	1	655	2332103	Holder, connector	1
	9421-285	Plain end housing US2 60"	1	385	2302250	Gear, cluster 2nd stage	1	660	2074072	Screw, 6-20 x .375	2
	9421-285	Plain end housing US2 54"	1	390	2302245	Gear, cluster 1st stage	1	665	2323402	Battery meter, 36v	1
35	144-017	Flange bearing	1	395	2302610	Shaft, gear 1st stage	1	670	2321940	Screw, 1/4-20 x .375	4
40	880-025	Seal	2	400	2302620	Shaft, gear 3rd stage	1	675	2321310	Bracket, strain relief	1
50	188-094	Brush	2	405	2302615	Shaft, gear 2nd stage	1	680	2323405	Strain relief, wire	1
60	2-600-199	Brush plate assembly	1	410	2321704	Washer, thrust	1	685	2013100	Screw, 1/4-20 x .5	1
65	975-041	Brush spring	2	420	2321515	Liner, output tube	2	690	2320215	Speed nut, .375	2
70	701-043	O-ring, motor	2	425	2324608	O-ring, 224	2	695	2301700	Handle, release cover	1
80	701-009	O-ring, thru-bolt	2	430	2327308	Shim, O-ring	2	700	2322701	Bushing	1
85	830-027	Screw, 10-32 x 2	2	435	2322200	Bearing, ball sealed	1	710	2320400	Spring, release handle	1
90	830-096	Thru-bolt	2	440	2324601	Gear, output	1	715	2322712	Handle, release FW	1
	830-098	Thru-bolt, Sonar only	2	445	2322030	O-ring, output gear	1	720	2322804	Spring, release handle	2
95	990-051	Washer, steel	2	450	2321510	Tube, output machined	1	725	2332104	Bushing, handle	2
100	990-052	Washer, nylon	2	455	2326506	Collar, drive, bottom	1	730	2323000	Screw, 1/4-20 x .625	2
110	973-025	Spacer, brush plate	2	465	2326506	Steering housing, Bottom	1	735	2322906	E-clip, 3/16, SS	2
115	992-010	Washer, Belleville	2	465	2322600	Pin, latch, zp	1	740	2321901	Pin, follower, handle	1
120	990-045	Spacer, thrust	1	470	2322602	Pin, pivot, zd	2	745	2322912	Base extrusion, machined	2
125	582-014	Chip, retaining, long	1	475	2327310	Bushing, pivot pin	1	750	2321950	Skid, right	1
135	640-025	Leadwire, black	1	480	2321702	Washer, flat .375	2	755	2323900	Screw, 8-18 x .5	3
136	640-133	Leadwire, red	1	485	2263011	E-ring, .375	2	770	2320220	Cover, access, FW	1
137	640-317	Groundwire, brown, US2 only	1	490	2322702	Spring, latch pin	1	775	2321910	Cover, access, FW	1
200	2777115	Tube, composite 60" FW	1	495	2323410	Screw, 8-32 x .75	1	780	2325640	Decal, sideplate, right	1
205		Included in #200 assembly	1	500	2323408	Screw, 8-32 x 2	7	850	2994720	Decal, sideplate, right	1
210	2325665	Decal, cover	2	510	2090651	Leawire, 10 ga	1	851	2326710	Foot pedal	1
215	2325678	Decal, ctrl box 101	1	525	2991273	Coil cord, 45"	1	865	2323400	Plug, foot pedal	1
	2325679	Decal, ctrl box 101 US2	1	525	2991271	Coil cord, 54"	1	870	2321300	Spring, momentary	1
	2325680	Decal, ctrl box 101 Autopilot	1	530	2991274	Coil cord, US2, 45"	1	875	2323430	Clamp	2
	2325681	Decal, ctrl box 101 Autopilot & US2	1	530	2991272	Coil cord, US2, 54"	1	880	2328600	Screw, 8 x .75	4
220	2320200	Cover, ctrl box	1	530	2320202	Cap, dust, coil cord, non-AP only	1	885	2323710	Flex finger	1
225	2324030	Ctrl board, compass, Autopilot only	1	535	2325641	Decal, sideplate, left	1	890	2323710	Button, momentary, left	1
230	2302960	Grommet, compass, Autopilot only	3	540	2323404	Screw, 1/4-20	2	900	2325660	Decal, foot pedal	1
235	2065-400	Wire insulator	2	545	2321915	Sideplate, left	1	910	2320205	Cover, heelHoe	1
240	2218200	Fuse holder, US2 only	1	550	2263403	Screw, 1/4-20 x .375	2	915	2323725	Button, AP	1
245	2372100	Screw, 8-18 x .625	3	555	2321925	Skid, left	1	920	2323715	Button, Mom/Con	1
250	2052510	Cable clamp	3	560	2323422	Screw, 10-24 x .375	1	925	2320100	Knob, speed, foot pedal	1
255	2322500	Ctrl box	1	565	2321700	Washer, #10 SS	2	930	2332103	Screw, 6-20 x .375	2
260	2332102	Screw, 10-24	4	570	2323500	Bolt, shoulder	2	935	2324020	Control board, foot pedal	1
265	2372100	Screw, 8-18 x .625	4	575	2323905	Ramp, 4" left	1	936	2320207	Dust cap	1
270	2333101	Nut, 10-24	1	580	2325115	Pad, rubber rest	4	940	2322900	Strain relief, foot pedal	1
275	2224700	Plug, ctrl box, US2 motors only	1	585	2321706	Washer, #8	4	945	2324500	Base plate, foot pedal	1
300	2211415	Universal somar 2 extension cable	1	590	2323412	Screw, 8-18 x .25	4				
305	2771500	Depth collar assembly	1	595	2324705	Insert, ramp	2				
315	260906	Knob (included in #305)	1	600	2994204	Arm, release, left	1				
			1	605	2322710	Spring, extension	2				

* This item is part of an assembly. This item cannot be sold separately due to machining and/or assembly that is required.