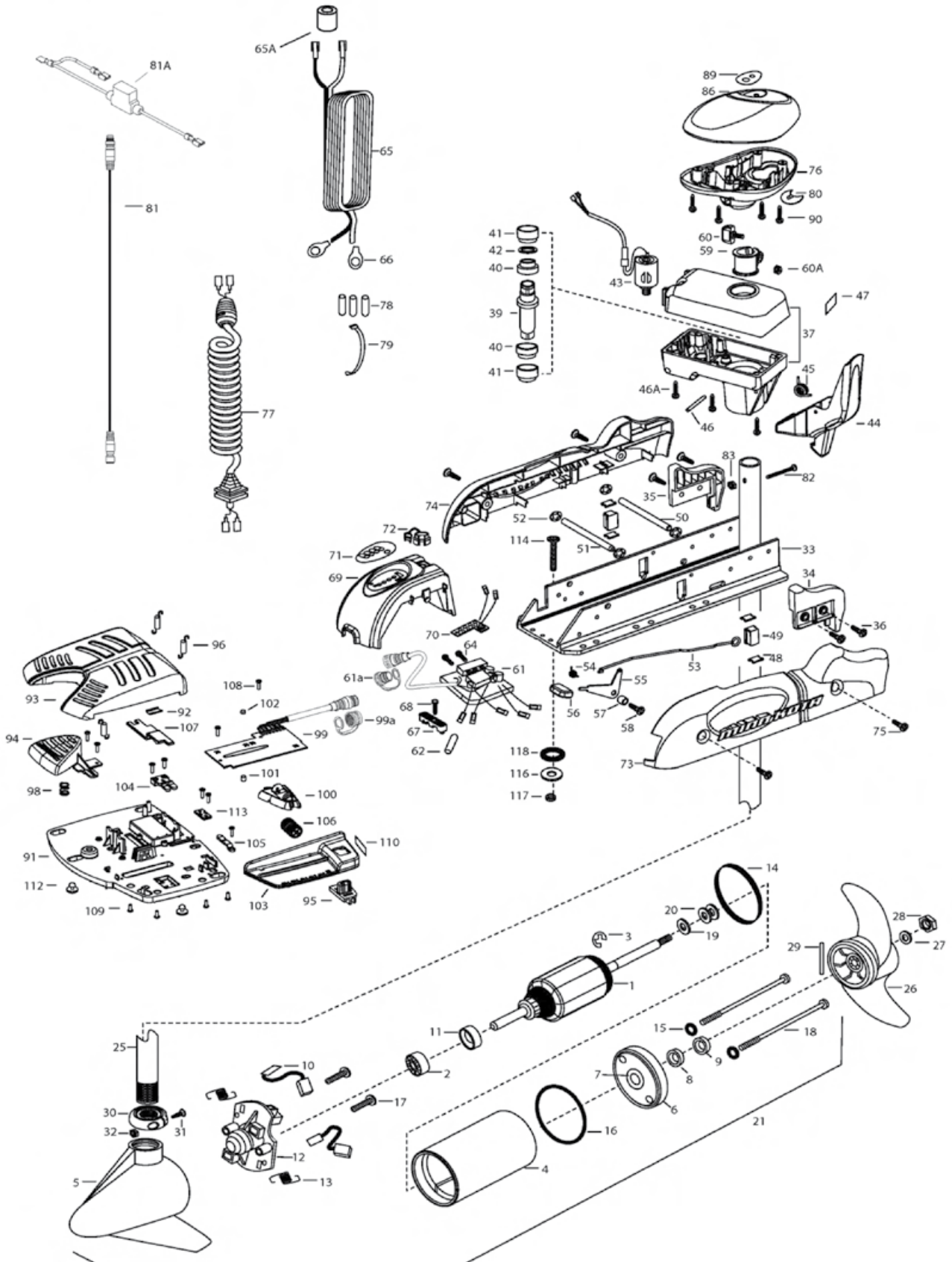




MINN KOTA®

POWERDRIVE V2 70

(NOUVEAU MODÈLE)



MINN KOTA®

W W W . N A V I C O M . F R





MINN KOTA®

POWERDRIVE V2 70
(NOUVEAU MODÈLE)

1	2-100-119	ARMATURE ASSEMBLY 24V VARS TXT	*40	2307304	BUSHING- INNER [2.EA]	78	2065400	WIRE INSULATOR-LGE 1-3/4 [3.EA]
2	140-010	BALL BEARING	*41	2307305	BUSHING- OUTER [2.EA]	79	2256300	TIE WRAP-5" BLACK
3	788-015	RETAINING RING	*42	2304603	O-RING	80	2224702	INSERT- PLUG
4	2-200-005	HOUSING ASSEMBLY CENTER 3.62 TXT	43	2307050	MOTOR- DRIVE HOUSING HIGH SPD	81	2224700	INSERT- PLUG US2
5	421-065	HOUSING - BRUSH END 3.62 TXT	44	2307201	LATCH HANDLE PD/AP	81A	2211415	UNIVERSAL SONAR II EXTENSION CABLE
6	9421-168	HOUSING - BRUSH END US2	45	2302750	SPRING- LATCH TORSION PD/AP	82	2218200	FUSE HOLDER, US2 MOTORS ONLY
7	2-400-101	PLAIN END HOUSING ASSEMBLY 3.62S	46	2302627	PIN- ROLL ZINC	82	2033400	SCREW-10-24 X 1-3/4 PPH Z/P
8	144-049	BEARING - FLANGE (SERVICE ONLY)	46A	2303407	SCREW - DRIVE HOUSING [6 EA]	83	2013110	NUT-HEX 10-24 ZCP
9	880-003	SEAL	47	2305564	DECAL-STOW/DEPLOY	86	2300237	CONTROL BOX COVER- POWERDRIVE
10	880-006	SEAL WITH SHIELD	48	2305110	PAD-PIVOT SUPT [4.EA]	89	2315685	DECAL- COVER 70PD
11	188-037	BRUSH ASSEMBLY [2.EA]	49	2305103	PIVOT PAD- NEW MTRL [2.EA]	90	2315688	DECAL- COVER 70PD US
12	725-050	BRUSH RETENTION- PAPER TUBE	50	2300500	PIN-LATCH	■	2012100	SCREW-8-18 X 5/8 THD CUT [4.EA]
13	738-036	BRUSH PLATE W/HOLDER	51	2300510	PIN-PIVOT	91	2994725	FOOT PEDAL ASSEMBLY
14	975-040	SPRING - TORSION [2.EA]	52	2301300	NUT-SPEED [4.EA]	92	2304505	FOOT PEDAL BASE
15	337-036	GASKET	53	2303612	ROD-RELEASE RT/AP S	92	2308501	WEAR PLATE FOOT PDL
16	701-008	O-RING, THRU-BOLT [2.EA]	54	2322700	SPRING-RELEASE LEVER	93	2300255	FOOT PEDAL, CORDED UPPER
17	830-007	O-RING	55	2303710	LEVER-RELEASE	94	2303723	BUTTON, MOMENTARY
18	830-042	SCREW-8-32 [2.EA]	56	2300101	RELEASE-KNOB	95	2303722	BUTTON, MOM/CON
19	990-067	THRU-BOLT 10-32X8.83 [2.EA]	57	2301700	SPACER-RELEASE LEVER	96	2302730	SPRING-LONG-UPPER PEDAL [3.EA]
20	990-070	WASHER- STEEL THRUST	58	2303430	SCREW-1/4-20 X 5/8	98	2302732	SPRING-LOWER PEDAL
21	2096031	WASHER - NYLATRON [2.EA]	59	2031522	COLLAR- DRIVE (W/INSERT)	99	2304052	CONTROL BOARD ASSEMBLY-FT PDL
25	2096032	MOTOR ASSEMBLY 24V 3.62 54"	60	2011365	SCREW-COLLAR/NEW KNOB	100	2320207	DUST CAP
26	2106045	MOTOR ASSEMBLY US2.5 24V 3.62 54"	60A	2323104	NUT	101	2308620	SLIDER, SPEED
27	2106036	MOTOR ASSEMBLY US2.24V 3.62 60"	61	2304061	CONTROL BOARD ASSEMBLY- 24V PD	102	2308409	MAGNET, 1/4 X 1/4
28	2032076	TUBE-CARBON COMPOSITE 54"	61A	2320208	DUST COVER	103	2778408	MAGNET, 1/4 X 1/8
29	2032074	TUBE-CARBON COMPOSITE 60"	62	2355410	SHRINK TUBE-3/8 ODX2	104	2300252	COVER, SPEED SELECTOR
■	1378131	PROPELLER KIT	64	2303434	SCREW-8-32 X 5/8 [3.EA]	105	2308606	SWITCH, DOUBLE FINGER
26	2091160	PROPELLER W/WEDGE 2	65	2090651	LEADWIRE IOGA 44"	105	2308608	SWITCH, SINGLE FINGER
27	2151726	WASHER-5/16 SS	65A	2307310	BEAD - FERRITE (CE MODELS ONLY)	106	2307900	WHEEL, SPEED
28	2053101	NUT-PROP NYLOC	66	2020700	TERMINAL RING [2.EA]	107	2308625	SLIDER, STEERING
29	2092600	PIN-DRIVE	67	2321310	STRAIN RELIEF- BRACKET PD/AP	108	2302100	SCREW-6-20 X 1/2 [9.EA]
30	2301545	COLLAR- LATCH PD/AP	68	2323405	SCREW-1/4-20 X 5/8	109	2372103	SCREW-6.20 X 3/8 [4.EA]
31	2303434	SCREW- 8-32X5/8 MACH PHCR	69	2306555	HOUSING- CENTER PD/AP	110	2316600	DECAL, ON/OFF SWITCH
32	2303112	NUT 8-32 NYLOC SS	70	2074071	BATTERY GAUGE - 24 VOLT	112	2994859	BAG ASSEMBLY- 5 RUBBER BUMPERS
33	2301936	EXTRUSION- BASE MACHINED	71	2316605	DECAL, BATTERY GAUGE	113	2302907	STRN RLF PD FP
34	2303932	MOTOR REST- RIGHT 3-5/8	72	2302935	STRAIN RELIEF-DR. HOUSING	■	2994864	BAG ASSEMBLY- (BOLT,NUT,WASHERS)
35	2303937	MOTOR REST- LEFT 3-5/8	73	2303960	SIDEPLATE (RIGHT)PD MK	*114	2263462	BOLT-MOUNTING-1/4X2 W/STG [6.EA]
36	2303430	SCREW 1/4-20X5/8 SELF TAP [4.EA]	74	2303965	SIDEPLATE(LEFT)PD MK	*116	2261713	WASHER-1/4 [6.EA]
37	2771826	DRIVE HOUSING / LATCH HANDLE ASSY	75	2303430	SCREW-1/4-20 X 5/8- [4.EA]	*117	2263103	NUT NYLOC 1/4-20 MTG [6.EA]
■	2882011	BUSHING/ OUTSHAFT KIT (INCLUDES 39-42)	76	2302515	CONTROL BOX PD/AP	*118	2301720	WASHER-MOUNTING RUBBER [6.EA]
*39	2302010	DRIVE HOUSING OUTPUT SHAFT	77	2991280	COIL CORD W/STRAIN RELIEF 48, 54"	■	2888460	SEAL & ORING KIT
				2991282	COIL CORD W/STRAIN RELIEF 60"			

* This item is part of an assembly. This item cannot be sold separately due to machining and /or assembly that is required.