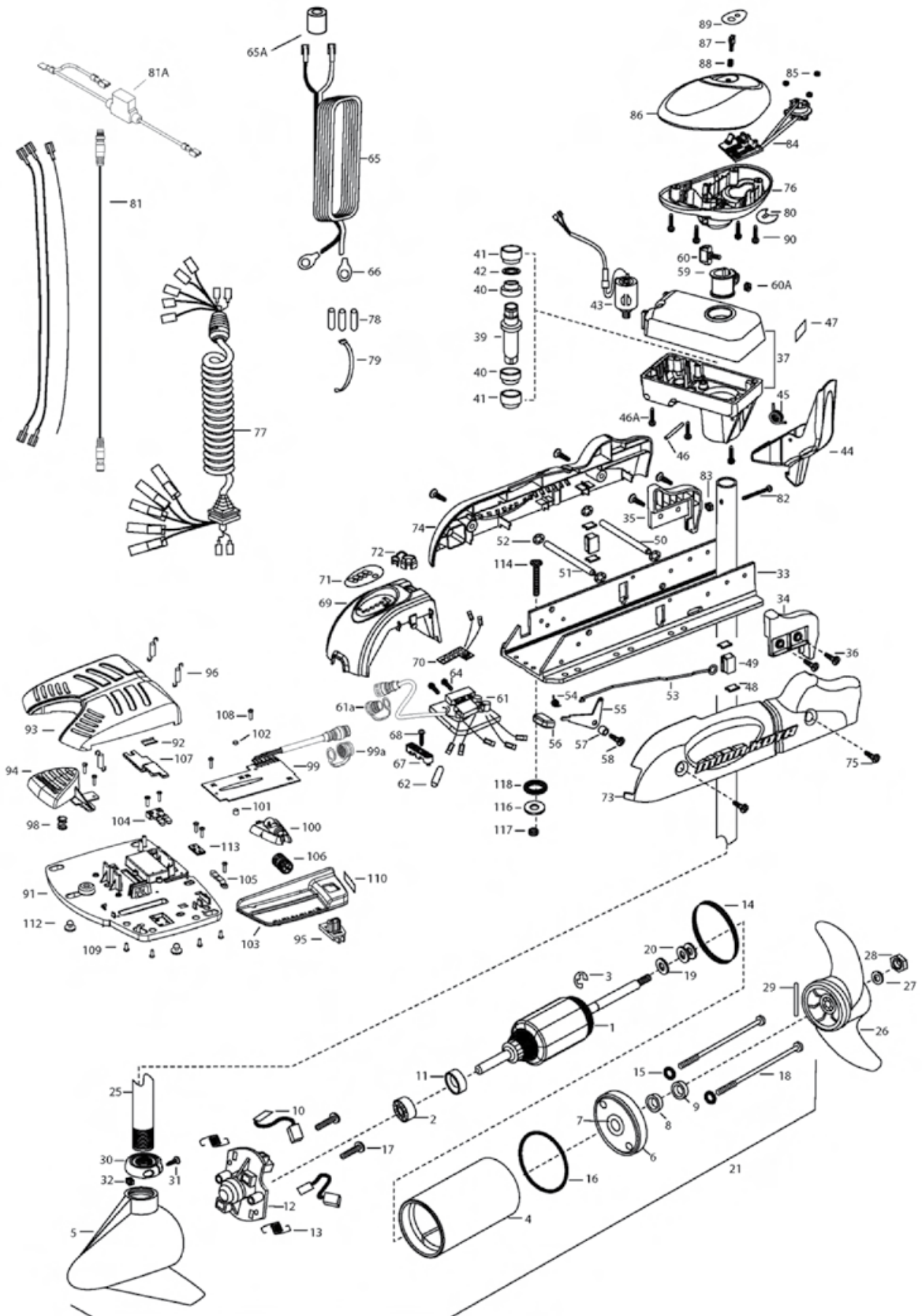


POWERDRIVE V2 55 AUTOPILOT (NOUVEAU MODÈLE)





MINN KOTA®

POWERDRIVE V2 55 AUTOPILOT

(NOUVEAU MODÈLE)

1	2-100-117	ARMATURE ASSEMBLY 12V VARS TXT	*42	2304603	O-RING	2224700	INSERT- PLUG US2
2	140-010	BALL BEARING	43	2307050	MOTOR- DRIVE HOUSING HIGH SPD	81	UNIVERSAL SONAR II EXTENSION CABLE
3	788-015	RETAINING RING	44	2307201	LATCH HANDLE PD/AP	81A	FUSE HOLDER, US2 MOTORS ONLY
4	2-200-101	HOUSING ASSEMBLY CENTER 3.62 TXT	45	2302750	SPRING- LATCH TORSION PD/AP	82	SCREW-10-24 X 1-3/4 PPH ZIP
5	421-065	HOUSING -BRUSH END 3.62 TXT	46	2302627	PIN- ROLL ZINC	83	NUT-HEX 10-24 ZCP
6	9421-167	HOUSING -BRUSH END US2	46A	2303407	SCREW - DRIVE HOUSING [6 EA]	84	CNTRL BRD/CMPSS ASSEMBLY-AP
7	2-400-101	PLAIN END HOUSING ASSEMBLY 3.625	47	2305564	DECAL-STOW/DEPLOY	85	GROMMET-COMPASS [3.EA]
8	144-049	BEARING - FLANGE (SERVICE ONLY)	48	2305110	PAD-PIVOT SUPT [4.EA]	86	CONTROL BOX COVER
9	880-003	SEAL	49	2305103	PIVOT PAD- NEW MTR L [2.EA]	87	ACTUATOR- SWITCH ON/OFF AP
10	880-006	SEAL WITH SHIELD	50	2300500	PIN-LATCH	88	SPRING-ACTUATOR PD/AP SS
11	188-036	BRUSH ASSEMBLY [2.EA]	51	2300510	PIN-PIVOT	89	DECAL- COVER 55PD/ AP
12	725-050	BRUSH RETENTION- PAPER TUBE	52	2013100	NUT-SPEED [4.EA]	2305661	DECAL - COVER 55 PD/AP & US
13	738-036	BRUSH PLATE W/HOLDER	53	2303612	ROD-RELEASE RT/AP S	2305662	SCREW-8-18 X 5/8 THD CUT [4.EA]
14	975-040	SPRING - TORSION [2.EA]	54	2322700	SPRING-RELEASE LEVER	90	FOOT PEDAL ASSEMBLY
15	337-036	GASKET	55	2303710	LEVER-RELEASE	■	FOOT PEDAL ASSEMBLY
16	701-008	O-RING, THRU-BOLT [2.EA]	56	2300101	RELEASE-KNOB	91	FOOT PEDAL BASE
17	701-081	O-RING	57	2301700	SPACER-RELEASE LEVER	92	WEAR PLATE FOOT PDL
18	830-007	SCREW-8-32 [2.EA]	58	2303430	SCREW-1/4-20 X 5/8	93	FOOT PEDAL, CORDED UPPER
19	830-042	THRU-BOLT 10-32X8.83 [2.EA]	59	2031522	COLLAR- DRIVE (W/INSERT)	94	BUTTON, MOMENTARY
20	990-067	WASHER- STEEL THRUST	60	2011365	SCREW-COLLAR/NEW KNOB	95	BUTTON, MOM/CON
21	990-070	WASHER - NYLATRON [2.EA]	60A	2323104	NUT	96	SPRING-LONG-UPPER PEDAL [3.EA]
22	2097094	MOTOR ASSEMBLY 12V 3.62 48"	61	2304062	CONTROL BOARD ASSEMBLY- 12V PD/AP	98	SPRING-LOWER PEDAL
23	2097090	MOTOR ASSEMBLY 12V 3.62 54"	61A	2320708	DUST PLUG	99	CONTROL BOARD ASSEMBLY-FY PDL
24	2107097	MOTOR ASSEMBLY US2.5 12V 3.62 VARS 48" & 54"	62	2355410	SHRINK TUBE-3/8 ODX2	99A	DUST CAP
25	2032076	TUBE-CARBON COMPOSITE 54"	64	2303434	SCREW-8-32 X 5/8 [3.EA]	100	SLIDER, SPEED
26	2032075	TUBE-CARBON COMPOSITE 48"	65	2090651	LEADWIRE IOGA 44"	101	MAGNET, 1/4 X 1/4
27	1378131	PROPELLER KIT	65A	2020700	BEAD - FERRITE (CE MODELS ONLY)	102	MAGNET, 1/4 X 1/8
28	2091160	PROPELLER WWEDGE 2	66	2321310	TERMINAL RING [2.EA]	103	COVER, SPEED SELECTOR
29	2151726	WASHER-5/16 SS	67	2323405	SCREW-1/4-20 X 5/8	104	SWITCH, DOUBLE FINGER
30	2053101	NUT-PROP NYLOC	68	2306555	HOUSING- CENTER PD/AP	105	SWITCH, SINGLE FINGER
31	2092600	PIN-DRIVE	69	2074070	BATTERY GAUGE - 12 VOLT	106	WHEEL, SPEED
32	2301545	COLLAR- LATCH PD/AP	70	2316605	DECAL, BATTERY GAUGE	107	SLIDER, STEERING
33	2303434	SCREW- 8-32X5/8 MACH PHCR	71	2302935	STRAIN RELIEF-DR. HOUSING	108	SCREW-6-20 X 1/2 [9.EA]
34	2303112	NUT 8-32 NYLOC SS	72	2303960	SIDEPLATE (RIGHT) PD MK	109	SCREW-6.20 X 3/8 [4.EA]
35	2301936	EXTRUSION- BASE MACHINED	73	2303965	SIDEPLATE (LEFT) PD MK	110	DECAL, ON/OFF SWITCH
36	2303932	MOTOR REST- RIGHT 3-5/8	74	2303430	SCREW-1/4-20 X 5/8- [4.EA]	112	BAG ASSEMBLY- 5 RUBBER BUMPERS
37	2303937	MOTOR REST- LEFT 3-5/8	75	2302510	CONTROL BOX PD/AP	113	STRN RLF PD FP
38	2303430	SCREW 1/4-20X5/8 SELF TAP [4.EA]	76	2302515	CONTROL BOX PD/AP	■	BAG ASSEMBLY- (BOLT,NUT,WASHERS)
39	2771826	DRIVE HOUSING / LATCH HANDLE ASSY	77	2991285	COIL CORD W/STRAIN RELIEF 48, 54"	*114	BOLT-MOUNTING- 1/4X2 W/STG [6.EA]
40	2892011	BUSHING/ OUTSHAFT KIT (INCLUDES 39-42)	78	2991287	COIL CORD W/STRAIN RELIEF 60"	*116	WASHER-1/4 [6.EA]
41	2302010	DRIVE HOUSING OUTPUT SHAFT	79	2065400	WIRE INSULATOR-LGE 1-3/4 [3.EA]	*117	NUT NYLON 1/4-20 MTG [6.EA]
42	2307304	BUSHING- INNER [2.EA]	80	2256300	TIE WRAP-5" BLACK	*118	WASHER-MOUNTING RUBBER [6.EA]
43	2307305	BUSHING- OUTER [2.EA]		2224702	INSERT- PLUG	■	SEAL & ORING KIT

* This item is part of an assembly. This item cannot be sold separately due to machining and /or assembly that is required.