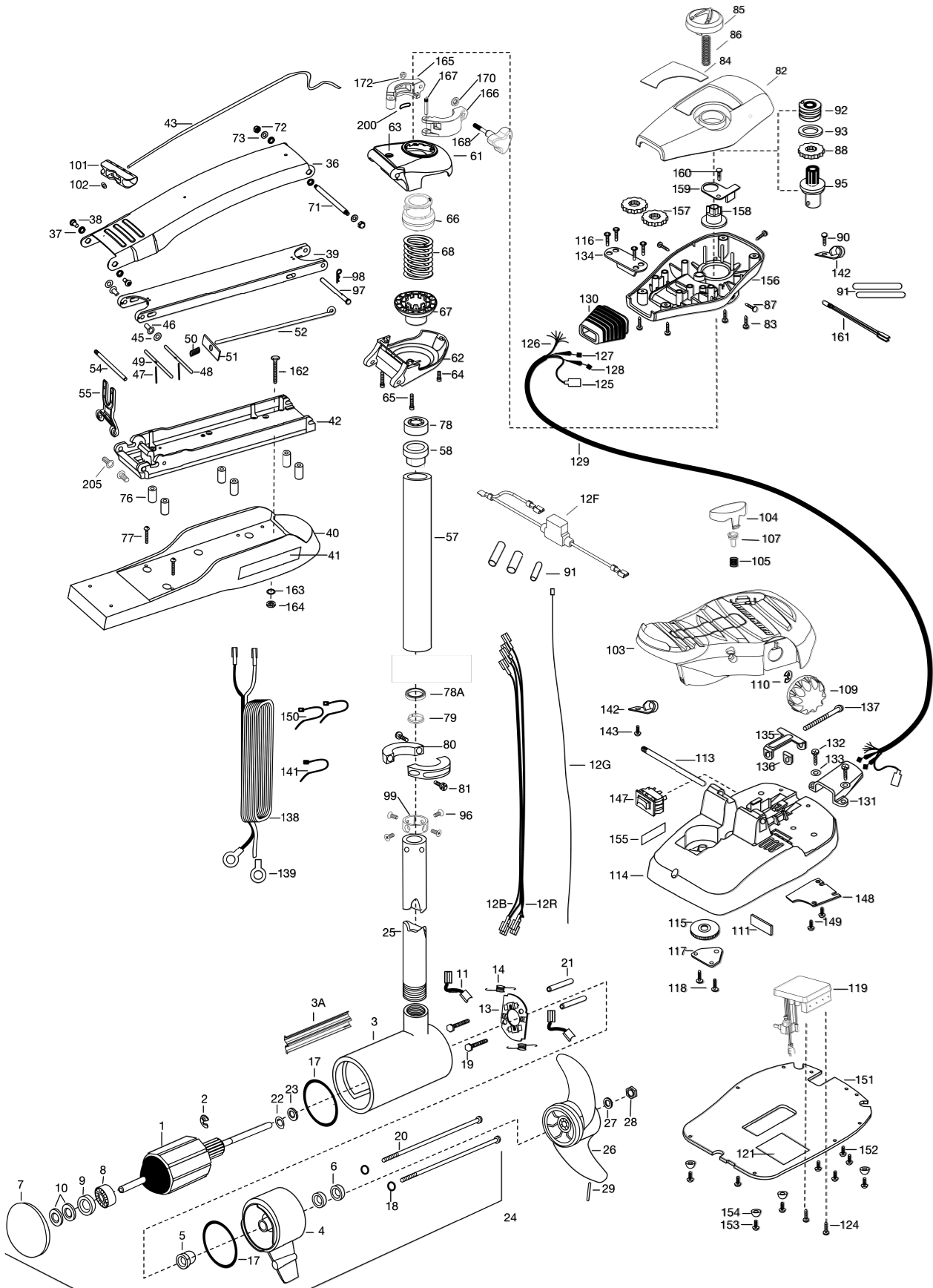


MAXXUM 80 - 42 INCHES (NOUVEAU MODÈLE)





MINN KOTA®

MAXXUM 80 - 42 INCHES

(NOUVEAU MODÈLE)

ITEM	QTY	PART NUMBER	DESCRIPTION
1	1	2-100-214	ARMATURE ASSEMBLY 24V
2	1	788-040	RETAINING RING
3	1	2-200-160	HOUSING ASSEMBLY CENTER 4.0
3A	1	582-013	CLIP, RETAINING, US2
4	1	2-300-160	BRUSH END HOUSING ASSEMBLY
5	1	144-017	BEARING- FLANGE (SERVICE ONLY)
6	2	880-025	SEAL
7	1	421-276	PLAIN END HOUSING ASSEMBLY
	1	9421-284	PLAIN END HOUSING ASSEMBLY 4.0 US2
8	1	140-010	BALL BEARING
9	1	990-045	THRUST SPACER
10	2	992-010	SPRING WASHER
11	2	186-094	BRUSH
12B	1	640-013	BRUSH LEAD BLK 10 AWG 51-1/2
12R	1	640-117	BRUSH LEAD RED 10 AWG 53
12G	1	640-315	GROUND WIRE 42" (US MOTORS ONLY)
12F	1	2218200	FUSE HOLDER (US MOTORS ONLY)
13	1	738-004	BRUSH PLATE 4"
14	2	975-041	SPRING- TORSION
17	2	701-043	O-RING
18	2	701-009	O-RING -THRU BOLT
■	1	2889460	SEAL & ORING KIT
19	2	830-027	SCREW -SELF THREAD 10-32X2
20	2	830-094	THRU BOLT 12-24X10.31
21	2	973-025	SPACER- BRUSH PLATE
22	1	990-051	WASHER- STEEL
23	1	990-052	WASHER- NYLATRON
24	1	2316216	MOTOR ASSEMBLY 24V 4" VARS
	1	2326220	MOTOR ASSEMBLY 24V 4" VARS- SONAR
25	1	2032003	TUBE COMP W/4 HOLE 42"
■	1	1378132	PROPELLER KIT
26	1	2331160	PROPELLER WWEDGE 2
27	1	2091701	WASHER-PROP LARGE
28	1	2093101	NUT-PROP NYLOCK 55
29	1	2262658	PIN-DRIVE 55
■	1	2991840	MOUNT,BOW ASSY, FW STD, W/O BGRD
36	1	2264241	ARM UPPER-FW STD
37	4	2293501	BUSHING, STAINLESS STEEL
38	2	2263500	BOLT, SHOULDER MAXXUM
39	1	2774315	ARM-LOWER ASSEMBLY,STD,FW,EXT
40	1	2263912	MOTOR REST STD MAXXUM

ITEM	QTY	PART NUMBER	DESCRIPTION
41	2	2265514	DECAL-MAXXUM,MOTOR REST
42	1	2773987	BOWPLATE- FW STD MACH/INSERT
43	1	2251601	ROPE 40" MAXXUM MOUNT
45	2	2261708	WASHER-3/8X1/2X.016
46	2	2267318	BEARING NYLINER
47	2	2152610	SPRING-PIN LOCKBAR
48	1	2233600	LOCK BAR- BOW MOUNT
49	1	2233602	LOCK BAR- REAR ZINC
50	1	2152700	SPRING-LOCKBAR CAD.PLT
51	1	2262703	SPRING STOP
52	1	2153602	EYE SHAFT-2LOCKBAR STD-PLTD
54	1	2260506	HINGE-PIN HEADLESS ZINC
55	1	2293811	YOKE,MAX MNT-POLYPROPYLENE
■	1	2772085	TUBE W/BEARING RACE ASSEMBLY 42"
57	1	2272085	TUBE -OUTER 21" 4 HOLES
58	1	2266260	BEARING RACE -(565T)
■	1	2991762	BOWGUARD ASSEMBLY-FT CTRL,MAX
61	1	2772319	BRACKET BASE TOP/EYELETASSEMBLY
62	1	2991771	BRKT BOTTOM/BEARING FW ASSEMBLY
63	1	2262315	EYELET KIT -ROPE
64	1	2263423	SCREW 5/16-18 X 1" SHCS ZINC
65	2	2263425	SCREW 5/16-18 X 2-1/2" SHCS
66	1	2071541	SPRING-SLEEVE UPPER
67	1	2071535	SPRING SLEEVE, LOWER
68	1	2262712	SPRING, BOWGUARD, NIK PL
71	1	2262605	PIN- THREADED
72	2	2223100	NUT- NYLOC
73	2	9908236	WASHER
■	1	2994832	BAG ASSEMBLY
*76	6	2261505	SPACER, MOTOR REST
*77	2	2263434	SCREW, 8-18 X 1 PPH 55
78	1	2266000	BEARING, BALL-STEEL
78A	1	2266116	BEARING, CARTRIDGE
79	1	2266001	BEARING, SPLIT RING
80	1	2771617	COLLAR HALF-ZINC-2 PER- KIT
81	2	2263452	SCREW-1/4-20 X 3/4 SHCS 55
82	1	2280201	CONTROL BOX COVER
83	4	2372100	SCREW-8-18 X 5/8 THD
84	1	2275605	DECAL COVER, MAXXUM 80
85	1	2990140	DIRECTIONAL INDICATOR
86	1	2282730	SPRING-INDICATOR

MINN KOTA®

WWW.NAVICOM.FR





MINN KOTA®

MAXXUM 80 - 42 INCHES
(NOUVEAU MODÈLE)

ITEM	QTY	PART NUMBER	DESCRIPTION
87	3	2053414	SCREW-#8-32 X 1/2 TRI-LOBE
88	1	2267800	GEAR-INDICATOR
90	1	2372100	SCREW-8-18 X 5/8 SS
91	3	2355410	SHRINK TUBE-3/8 OD X 2
92	1	2232360	PULLEY-CABLE DRUM
93	1	2261730	WASHER-NYLON
95	1	2996247	PINION/RACE ASSEMBLY
96	4	2223468	SCREW-8-32 X 7/16 ZN PL
97	1	2262607	PIN- CLEVIS ZN
98	1	2260805	SPRING CLIP ZN
99	1	2071560	COLLAR, TUBE
101	1	2150400	PULL-GRIP
102	1	2151700	WASHER-EYE SHAFT .562 OD
103	1	2994496	FOOT PEDAL/PLUG ASSEMBLY
104	1	2993705	PUSH-BUTTON MAGNET ASSEMBLY
105	1	2302732	SPRING-LOWER PEDAL SS
107	1	2260810	CLIP, REED SWITCH
109	1	2280115	KNOB-SPEED CONTROL VAR
110	1	2263000	E-RING TRU-ARC#5133-43
*111	1	2266413	PLATE -TENSION SCREW FTPED.
113	1	2260511	PIN-PIVOT A/T PT PDL
114	1	2774550	FT PEDAL BASE/PIN ASSEMBLY
115	1	2262301	PULLEY- FOOT PEDAL
116	4	2223430	SCREW- 8X3/4 PPH TYPE 25 SS
117	1	2266400	COVER-PULLEY STAMPING
118	2	2301310	SCREW-8-18 X 1/2 SS
119	1	2264056	CONTROL BOARD ASSY 24-36V MAX
121	1	2365107	INSULATING PAD 2.3 X 3.2
124	2	2223455	SCREW, 10-32 X 1/2
125	1	2211410	EXTENSION CABLE US2
126	1	2261220	WIRE HARNESS AT & MAX 82.5
127	1	2267505	CABLE ASSEMBLY-RIGHT 5'
128	1	2267515	CABLE ASSEMBLY-LEFT 5'
129	1	2265430	CABLE JACKET 5'
130	1	2265110	BOOT-CONTROL BOX
131	1	2265115	BOOT-FOOT PEDAL BASE
132	2	2372100	SCREW-8-18 X 5/8 THD SS
133	2	2261714	WASHER-MAXXUM PT PDL
134	1	2261901	BRACKET-CONDUIT AT/MAX
135	1	2263210	BRACKET-CONDUIT ADJUSTMENT
136	1	2263401	NYLOCK KEEPER

ITEM	QTY	PART NUMBER	DESCRIPTION
137	1	2263463	SCREW-1/4-20 X 2 STL PPH
138	1	2261233	LEADWIRE VARIABLE
139	2	2020700	TERMINAL RING, 3/8
141	1	2256300	TIE WRAP-5.5 BLACK
142	2	2263201	CLAMP WIRE HARNESS MICRO
143	1	2332103	SCREW-6-20 X 3/8 THD SS
147	1	2254031	SWITCH-MOM/OFF/COM
148	1	2266412	SWITCH PLATE, PT PEDAL
149	2	2332103	SCREW-6-20 X 3/8 THD SS
150	2	2256301	TIE WRAP-5.5 WHITE
151	1	2264511	BOTTOM PLATE, MAXXUM PT
152	5	9953104	SCREW-8 X 1/2 PPH SS
153	4	2263455	SCREW #12
154	4	2265126	BUMPER
155	1	2266610	DECAL-ON/OFF SWITCH
156	1	2282500	CONTROL BOX
157	2	2267800	GEAR-INDICATOR
158	1	2262221	INDICATOR-DRIVE
159	1	2261905	BRACKET/INDICATOR
160	1	2301310	SCREW-8-18 X 1/2 SS
161	1	2264015	LIGHT/INDICATOR
■	1	2994830	BAG ASSEMBLY-MAXXUM
*162	6	2263431	SCREW 1/4-20 X 3.5 PPH
*163	6	2261713	WASHER-1/4 FLAT S/S
*164	6	2263103	NUT-1/4-20 NYLOCK-JAM
■	1	2991550	CLAMP COLLAR ASSEMBLY
165	1	2071550	CLAMP COLLAR "A"
166	1	2071555	CLAMP COLLAR "B"
167	1	2072621	PIN-KNURLED
168	1	2281505	KNOB-CLAMP COLLAR
170	1	2071718	WASHER #10 NYLON RETAINING
172	1	2073102	NUT - HEX 1/4 - 28 SS
200	1	2075120	URETHANE PAD
205	1	2261540	INSERT - THREADED
210	2	2335400	SHRINK TUBE-1/2" OD X 2"
215	1	2375400	SHRINK TUBE-1/4" OD X 1 3/4"

■ THIS ITEM IS PART OF AN ASSEMBLY.

*THIS ITEM IS PART OF A KIT AND ONLY LISTED FOR VIEWING PURPOSES.

MINN KOTA®

W W W . N A V I C O M . F R



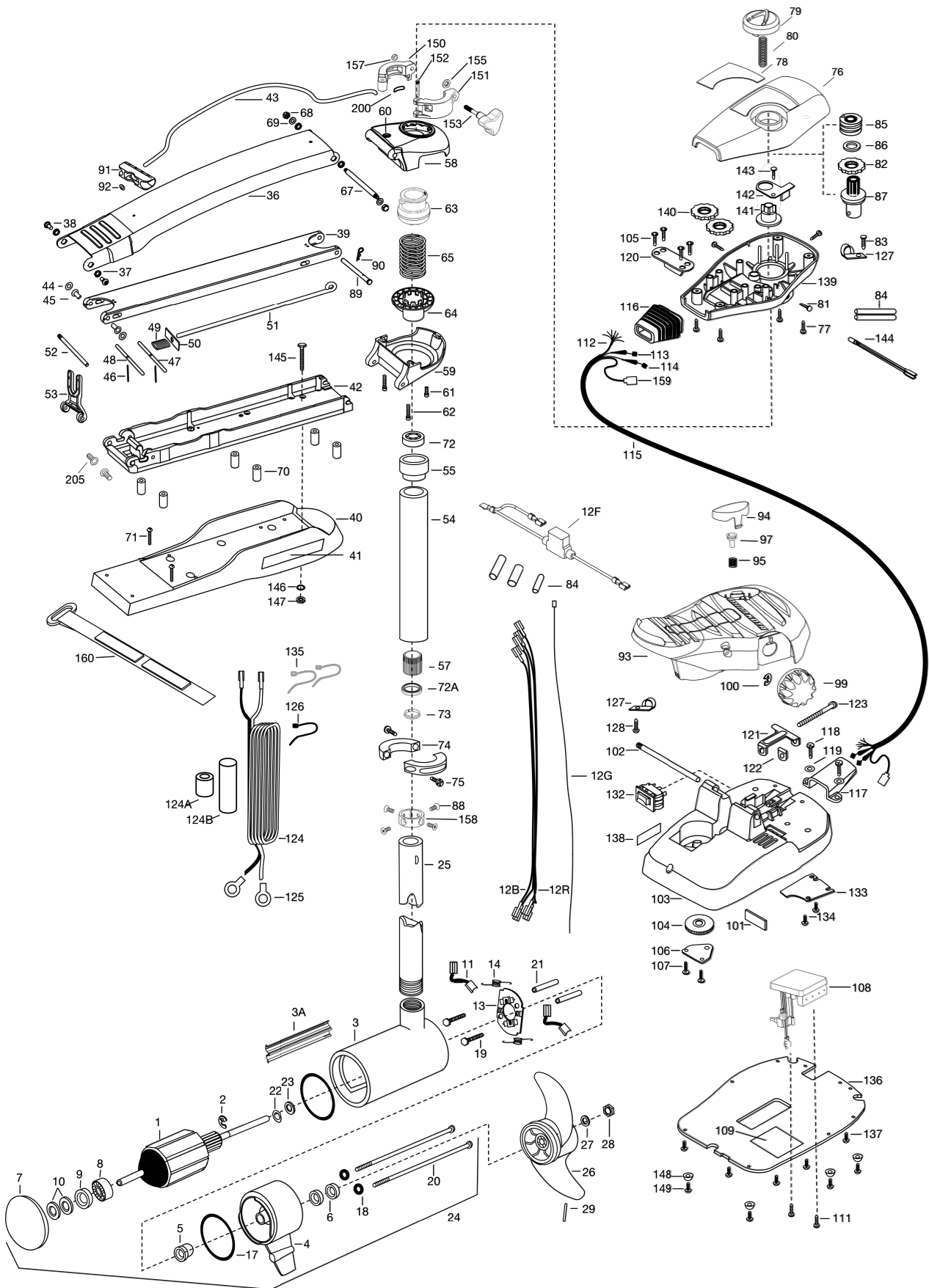


MINN KOTA®

W W W . N A V I C O M . F R



MAXXUM 80 - 52 INCHES (NOUVEAU MODÈLE)





MINN KOTA®

MAXXUM 80 - 52 INCHES
(NOUVEAU MODÈLE)

ITEM	QTY	PART NUMBER	DESCRIPTION
1	1	2-100-214	ARMATURE ASSEMBLY 24V
2	1	788-040	RETAINING RING
3	1	431-160	HOUSING ASSEMBLY CENTER 4.0
3A	1	582-013	CLIP, RETAINING, US2
4	1	2-300-160	BRUSH END HOUSING ASSEMBLY
5	1	144-017	BEARING- FLANGE (SERVICE ONLY)
6	2	880-025	SEAL
7	1	421-276	PLAIN END HOUSING ASSEMBLY
	1	9421-285	PLAIN END HOUSING ASSEMBLY US2 52"
	1	9421-286	PLAIN END HOUSING ASSEMBLY US2 62"
8	1	140-010	BALL BEARING
9	1	990-045	THRUST WASHER
10	2	992-010	SPRING WASHER
11	2	186-094	BRUSH
12B	1	640-024	LEADWIRE-BLACK 10 AWG 79"
12R	1	640-131	LEADWIRE-RED 10 AWG 80 1/2"
12G	1	640-316	GROUND WIRE 52" (US MOTORS ONLY)
	1	640-317	GROUND WIRE 62" (US MOTORS ONLY)
12F	1	2218200	FUSE HOLDER (US MOTORS ONLY)
13	1	738-040	BRUSH PLATE 4"
14	2	975-041	SPRING- TORSION
17	2	701-043	O-RING
18	2	701-009	O-RING - THRU BOLT
■	1	2889460	SEAL & ORING KIT
19	2	830-027	SCREW -SELF THREAD 10-32X2
20	2	830-094	THRU BOLT 12-24X10.31
21	2	973-025	SPACER- BRUSH PLATE
22	1	990-051	WASHER- STEEL
23	1	990-052	WASHER- NYLATRON
24	1	2316217	MOTOR ASSEMBLY 24V 4" VARS TXT 52"
	1	2316219	MOTOR ASSEMBLY 24V 4" VARS TXT 62"
	1	2326241	MOTOR ASSEMBLY 24V 4" VARS 52" SONAR
	1	2326242	MOTOR ASSEMBLY 24V 4" VARS 62" SONAR
25	1	2032007	TUBE COMP W/4 HOLE 62"
	1	2032006	TUBE COMP W/4 HOLE 52"
	1	2032005	TUBE COMP W/4 HOLE 48"
■	1	1378132	PROPELLER KIT
26	1	2331160	PROPELLER WWEDGE 2
27	1	2091701	WASHER-PROP LARGE
28	1	2093101	NUT-PROP NYLOCK SS
29	1	2262658	PIN-DRIVE SS
■	1	2991842	MOUNT,BOW ASSEMBLY, FW 62 W/O BGRD
	1	2991841	MOUNT,BOW ASSEMBLY, FW 52 W/O BGRD
36	1	2264246	ARM UPPER-FW LONG
37	4	2293501	BUSHING, STAINLESS STEEL

ITEM	QTY	PART NUMBER	DESCRIPTION
38	2	2263500	BOLT, SHOULDER MAXXUM
39	1	2774317	ARM-LOWER ASSEMBLY,LG,FW,EXT
40	1	2263913	MOTOR REST LONG MAXXUM
41	2	2265514	DECAL-MAXXUM,MOTOR REST
42	1	2773986	BOWPLATE- FW LG MACH/INSERT
43	1	2251601	ROPE 40" MAXXUM MOUNT
44	2	2261708	WASHER-3/8X1/2X.010 SS
45	2	2267318	BEARING NYLINER-
46	2	2152610	SPRING-PIN LOCKBAR
47	1	2233600	LOCK BAR- BOW MOUNT
48	1	2233602	LOCK BAR- REAR ZINC
49	1	2152700	SPRING-LOCKBAR CAD,PLT
50	1	2262703	SPRING STOP
51	1	2153604	EYE SHAFT-2LOCKBAR LG-PLTD
52	1	2260506	HINGE-PIN HEADLESS ZINC
53	1	2293811	YOKE,MAX MNT-POLYPROPYLENE
■	1	2772087	TUBE W/BEARING RACE ASSEMBLY 34"
	1	2772086	TUBE W/BEARING RACE ASSEMBLY 24"
54	1	2272087	TUBE OUTER 34" 62
	1	2272086	TUBE OUTER 24" 48"-52"
55	1	2266260	BEARING RACE-(565T)
57	1	2267307	BUSHING, OUTER TUBE
■	1	2991763	BOWGUARD ASSEMBLY-FT CTRL,MAX 62
	1	2991762	BOWGUARD ASSEMBLY-FT CTRL,MAX 52
58	1	2772319	BRACKET BASE TOP/EYELET ASSEMBLY
59	1	2991770	BRKT BOTTOM/BEARING FW ASSEMBLY 62
	1	2991771	BRKT BOTTOM/BEARING FW ASSEMBLY 52
60	1	2772352	EYELET KIT -ROPE
61	1	2263423	SCREW 5/16-18 X1" SHCS ZINC
62	2	2263425	SCREW 5/16-20 X 2-1/2" SHCS
63	1	2071541	SPRING-SLEEVE UPPER
64	1	2071535	SPRING SLEEVE, LOWER
65	1	2262712	SPRING, BOWGUARD, FC PAINTED
67	1	2262605	PIN- THREADED
68	2	2223100	NUT - NYLOC SS
69	2	9908236	WASHER ZN PL
■	1	2994832	BAG ASSEMBLY
*70	6	2261505	SPACER, MOTOR REST
*71	2	2263434	SCREW, 8-18 X1 PPH SS
72	1	2266000	BEARING BALL-STEEL
72A	1	2266116	BEARING, CARTRIDGE
73	1	2266001	BEARING, SPLIT RING
74	1	2261622	COLLAR HALF-PAINTED-2 PER- KIT
75	2	2263453	SCREW-1/4-20 X 3/4 SHCS SS
76	1	2280201	CONTROL BOX COVER

MINN KOTA®

WWW.NAVICOM.FR





MINN KOTA®

MAXXUM 80 - 52 INCHES
(NOUVEAU MODÈLE)

ITEM	QTY	PART NUMBER	DESCRIPTION
77	4	2372100	SCREW-8-18 X 5/8 THD
78	1	2275605	DECAL COVER, MAXXUM 80
79	1	2990140	DIRECTIONAL INDICATOR
80	1	2282730	SPRING-INDICATOR
81	3	2053414	SCREW-#8-32 X 1/2 TRI-LOBE
82	1	2267800	GEAR-INDICATOR
83	1	2301310	SCREW-8-18 X 5/8 SS
84	3	2355410	SHRINK TUBE-3/8 OD X 2-
85	1	2232360	PULLEY-CABLE DRUM
86	1	2261730	WASHER-NYLON
87	1	2996247	PINION/RACE ASSEMBLY
88	4	2223468	SCREW-8-32 X 7/16 ZN PL
89	1	2262607	PIN- CLEVIS ZN
90	1	2260805	SPRING CLIP ZN
91	1	2150400	PULL-GRIP
92	1	2151700	WASHER-EYE SHAFT .562 OD
93	1	2664496	FOOT PEDAL/PLUG ASSEMBLY
94	1	2993705	PUSH BUTTON / MAGNET ASSEMBLY
95	1	2302732	SPRING-LOWER PEDAL SS
97	1	2260810	CLIP, REED SWITCH
99	1	2280115	KNOB-SPEED CONTROL VAR
100	1	2263000	E-RING TRU-ARC#5133-43
101	1	2266413	PLATE -TENSION SCREW FT PED.
102	1	2260511	PIN-PIVOT A/T PT PDL
103	1	2774550	FT PEDAL BASE/PIN ASSEMBLY
104	1	2262301	PULLEY- FOOT PEDAL
105	4	2223430	SCREW #8X3/4 PPH TYPE 25 SS
106	1	2266400	COVER-PULLEY STAMPING
107	2	2301310	SCREW-8-18 X 1/2 SS
108	1	2264056	CONTROL BOARD ASSY 24-36V MAX
109	1	2365107	INSULATING PAD 2.3 X 3.2
111	2	2223455	SCREW, 10-32 X 1/2
112	1	2261220	WIRE HARNESS AT & MAX 82.5
113	1	2267505	CABLE ASSEMBLY-RIGHT 5'
114	1	2267515	CABLE ASSEMBLY-LEFT 5'
115	1	2265430	CABLE JACKET 5'
116	1	2265110	BOOT-CONTROL BOX
117	1	2265115	BOOT-FOOT PEDAL BASE
118	2	2372100	SCREW-8-18 X 5/8 THD SS
119	2	2261714	WASHER-MAXXUM PT PDL
120	1	2261901	BRACKET-CONDUIT AT/MAX
121	1	2263210	BRACKET-CONDUIT ADJUSTMENT
122	1	2263104	NYLOCK KEEPER
123	1	2263466	SCREW-1/4-20 X 2 STL PPH
124	1	2261233	LEADWIRE VARIABLE

ITEM	QTY	PART NUMBER	DESCRIPTION
124A	2	2307310	BEAD - FERRITE (CE MODELS ONLY)
124B	1	2075401	HEAT SHRINK 1.1" O.D. X 3.5"
125	2	2020700	TERMINAL RING, 3/8
126	1	2256300	TIE WRAP-5.5 BLACK
127	2	2263201	CLAMP WIRE HARNESS MICRO
128	1	2332103	SCREW-6-20 X 3/8 THD SS
132	1	2254031	SWITCH-MOM/OFF/CON
133	1	2266412	SWITCH PLATE, PT PEDAL
134	2	2332103	SCREW-6-20 X 3/8 THD SS
135	2	2256301	TIE WRAP-5.5 WHITE
136	1	2264511	BOTTOM PLATE, MAXXUM PT
137	5	2372100	SCREW-8 X 1/2 SS
138	1	2266610	DECAL-ON/OFF SWITCH
139	1	2282500	CONTROL BOX
140	2	2267800	GEAR-INDICATOR
141	1	2262221	INDICATOR-DRIVE
142	1	2261905	BRACKET/INDICATOR
143	1	2301310	SCREW-8-18 X 1/2 SS
144	1	2264015	LIGHT/INDICATOR
■	1	2994830	BAG ASSEMBLY-MAXXUM
*145	6	2263431	SCREW 1/4-20 X 3.5 PPH
*146	6	2261713	WASHER-1/4 FLAT 5/5
*147	6	2263103	NUT-1/4-20 NYLOCK-JAM
148	4	2265126	BUMPER
149	4	2263455	SCREW #12
■	1	2991550	CLAMP COLLAR ASSEMBLY
150	1	2071550	CLAMP COLLAR "A"
151	1	2071555	CLAMP COLLAR "B"
152	1	2072621	PIN-KNURLED
153	1	2281505	KNOB-CLAMP COLLAR
155	1	2071718	WASHER #10 NYLON RETAINING
157	1	2073102	NUT - HEX 1/4 - 28 SS
158	1	2071560	COLLAR, TUBE
159	1	2211410	EXTENSION CABLE US2
160	1	2263804	STRAP - VELCRO 30.5"
200	1	2075120	URETHANE PAD
205	2	2261540	INSERT-THREADED BOWPLATE
210	2	2335400	SHRINK TUBE-1/2" OD X 2"
215	1	2375400	SHRINK TUBE-1/4" OD X 1 3/4"

■ THIS ITEM IS PART OF AN ASSEMBLY.

*THIS ITEM IS PART OF A KIT AND ONLY LISTED FOR VIEWING PURPOSES.

MINN KOTA®

W W W . N A V I C O M . F R

