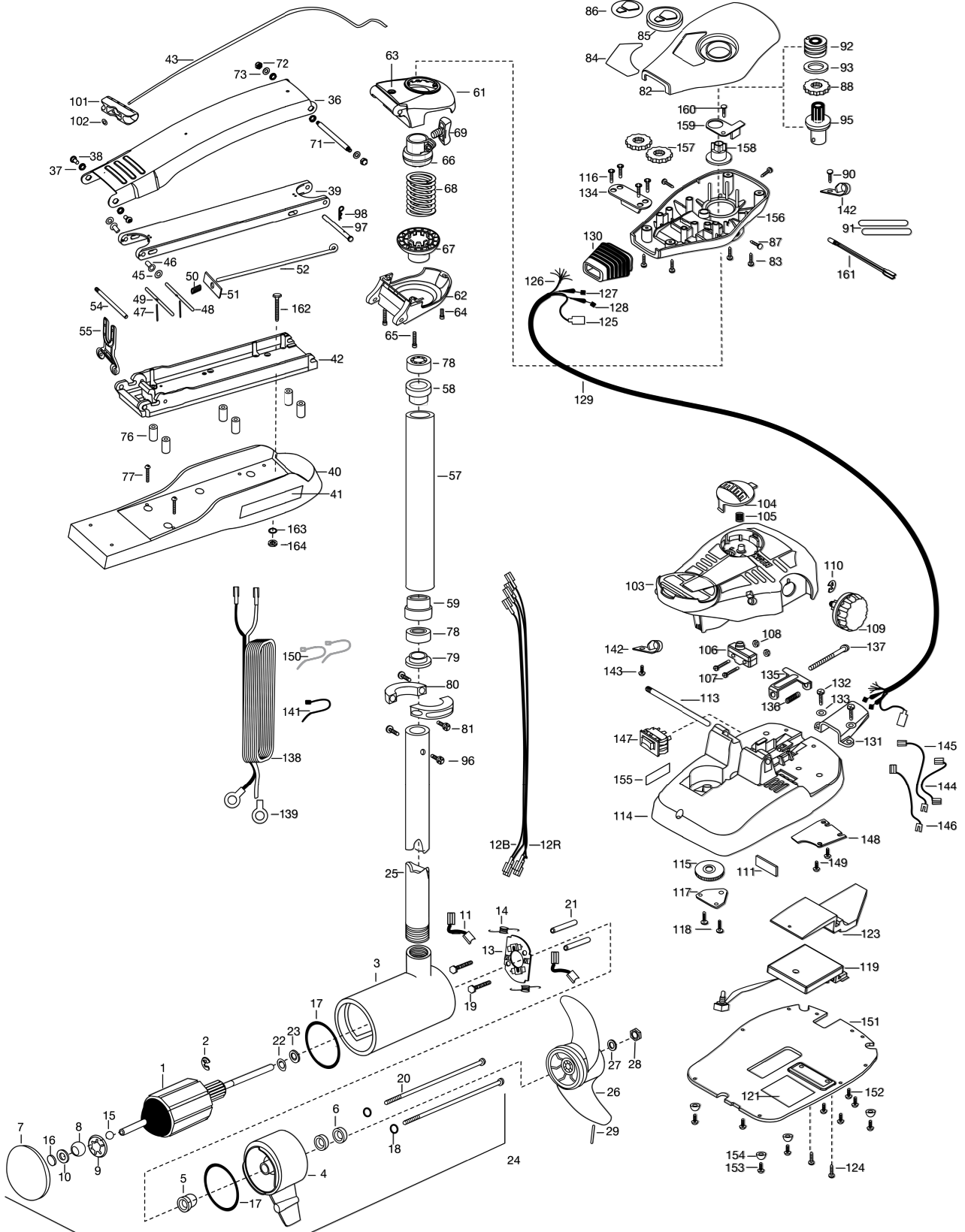


MAXXUM 74 - 42 INCHES (ANCIEN MODÈLE)





MINN KOTA®

MAXXUM 74 - 42 INCHES

(ANCIEN MODÈLE)

1	2-100-103	ARMATURE ASSEMBLY 24V 4"	55	2293811	YOKO, MAX MINTPOLYPROPYLENE	110	2263000	E-RING TRU-ARC#5133-43
2	788-040	RETAINING RING	■	2772012	TUBE W/BEARING RACE ASSEMBLY 42"	*111	2266413	PLATE -TENSION SCREW FT PED.
3	92-200-170	HOUSING ASSEMBLY CENTER 4.0- SONAR		2772015	TUBE W/BEARING RACE ASSEMBLY 36"	113	2260511	PIN-PIVOT AIT PT PDL
4	2-300-160	BRUSH END HOUSING ASSEMBLY	57	2272069	TUBE -OUTER 21" 4 HOLES [FOR 42"]	114	2274550	FT PEDAL BASE/PIN ASSEMBLY
5	144-017	BEARING- FLANGE (SERVICE ONLY)		2272066	TUBE -OUTER 18" 4 HOLES [FOR 36"]	115	2262301	PULLEY-FOOT PEDAL
6	880-025	SEAL [2.EA]	58	2266260	BEARING RACE-(565T)	116	2223430	SCREW- 8X3/4 PPH TYPE 25 SS [4.EA]
7	92-400-170	PLAIN END HOUSING ASSEMBLY- SONAR	59	2266220	BEARING RACE-STEEL	117	2266400	COVER-PULLEY STAMPING
8	2-400-160	PLAIN END HOUSING ASSEMBLY	■	2991869	BOWGUARD ASSEMBLY-FT CTRL,MAX	118	2301310	SCREW-8-18 X 1/2 SS [2.EA]
9	784-025	BEARING SPHERICAL	61	2772315	BRACKET BASE TOP/EYELETASSEMBLY	119	2264008	CONTROL BOARD ASSEMBLY 24V MAX
10	991-040	BEARING RETAINER	62	2991999	BRKT BOTTOM/BEARING FW ASSEMBLY	121	2365107	INSULATING PAD 2.3 X 3.2
11	186-094	WASHER- FELT	63	2772352	EYELET KIT -ROPE	123	2264018	HEAT SINK, MACH, MAX PT
12B	640-013	BRUSH LEAD BLK 10 AWG 51-1/2	64	2263402	SCREW 1/4-20 X 3/4 ZINC	124	2263447	SCREW, 8-32 X 1 [2.EA]
12R	640-117	BRUSH LEAD RED 10 AWG 53	65	2263404	SCREW-1/4-20X2-1/4 SHCP [2.EA]	125	2211400	EXTENSION CABLE- SONAR
13	738-004	BRUSH PLATE 4"	66	2261525	SPRING-SLEEVE UPPER	126	2261219	WIRE HARNESS AT & MAX 82.5
14	975-041	SPRING- TORSION [2.EA]	67	2261535	SPRING SLEEVE, LOWER	127	2267500	CABLE ASSEMBLY-RIGHT 5'
15	116-025	BALL- STEEL	68	2262706	SPRING, BOWGUARD, NIK PL	128	2267510	CABLE ASSEMBLY-LEFT 5'
16	303-043	THRUST DISC	69	2011365	SCREW-COLLAR/NEW KNOB	129	2265430	CABLE JACKET 5'
17	701-043	O-RING [2.EA]	71	2262605	PIN- THREADED	130	2265110	BOOT-CONTROL BOX
18	701-009	O-RING -THRU BOLT [2.EA]	72	2223100	NUT- NYLOC [2.EA]	131	2265115	BOOT-FOOT PEDAL BASE
19	830-027	SCREW -SELF THREAD 10-32X2 [2.EA]	73	2261722	WASHER [2.EA]	132	2372100	SCREW-8-18 X 5/8 THD SS [2.EA]
20	830-094	THRU BOLT 12-24X10.31 [2.EA]	■	2994832	BAG ASSEMBLY	133	2261714	WASHER-MAXXUM PT PDL [2.EA]
21	973-025	SPACER- BRUSH PLATE [2.EA]	*76	2261505	SPACER, MOTOR REST [6.EA]	134	2261901	BRACKET-CONDUIT AT/MAX
22	990-051	WASHER- STEEL	*77	2263434	SCREW, 8-18 X 1 PPH SS [2.EA]	135	2263210	BRACKET-CONDUIT ADJUSTMENT
23	990-052	WASHER- NYLATORN	78	2266000	BEARING BALL-STEEL	136	2262720	SPRING-CONDUIT
24	2317036 / 2327032	MOTOR ASSEMBLY PLAIN / SONAR	79	2266115	BEARING CONE	137	2263463	SCREW-1/4-20 X 2 STL PPH
25	2032061	TUBE COMP W/CSK HOLE 43-3/4	80	2771617	COLLAR HALF-ZINC-2 PER- KIT	138	2261227	LEADWIRE VARIABLE
■	1378129	PROPELLER KIT	81	2263452	SCREW-1/4-20 X 3/4 SHCS SS [2.EA]	139	2020700	TERMINAL RING, 3/8 [2.EA]
26	2331120	PROPELLER W/WEDGE HP&RT	82	2260283	CONTROL BOX COVER-MAXXUM	141	2256300	TIE WRAP-5.5 BLACK
27	2091701	WASHER-PROP LARGE	83	2372100	SCREW-8-18 X 5/8 THD [4.EA]	142	2263201	CLAMP WIRE HARNESS MICRO [2.EA]
28	2093101	NUT-PROF NYLOCK SS	84	2265532	DECAL COVER, MAXXUM 74	143	2332103	SCREW-6-20 X 3/8 THD SS
29	2092600	PIN-DRIVE SS	85	2260150	POINTER DISC TRNSLCNT RED	144	2260312	CONNECTING WIRE VAR.SPD
■	2771840	MOUNT/BOW ASSEMBLY, FW STD W/BG	86	2265800	DECAL-INDICATOR	145	2260312	WIRE.BLK W/WHT STRP 19 1/2
36	2264241	ARM UPPER-FW STD	87	2053414	SCREW-#8-32 X 1/2 TRI-LOBE [3.EA]	146	2260323	WIRE.BLK W/GRN STP VARIAB
37	2293501	BUSHING, STAINLESS STEEL [4.EA]	88	2267800	GEAR-INDICATOR	147	2254031	SWITCH-MOM/OFF/COM
38	2263500	BOLT, SHOULDER MAXXUM [2.EA]	90	2301310	SCREW-8-18 X 1/2 SS	148	2266412	SWITCH PLATE, PT PEDAL
39	2774315	ARM-LOWER ASSEMBLY,STD,FW,EXT	91	2355410	SHRINK TUBE-3/8 OD X 2- [2.EA]	149	2332103	SCREW-6-20 X 3/8 THD SS [2.EA]
40	2263912	MOTOR REST STD MAXXUM	92	2232360	PULLEY-CABLE DRUM	150	2256301	TIE WRAP-5.5 WHITE [2.EA]
41	2265514	DECAL-MAXXUM,MOTOR REST [2.EA]	93	2261730	WASHER-NYLON	151	2264510	BOTTOM PLATE, MAXXUM PT
42	2773987	BOWPLATE- FW STD MACH/INSERT	95	2996246	PINION/RACE ASSEMBLY	152	9953104	SCREW-8 X 1/2 PPH SS [5.EA]
43	2251601	ROPE 40" MAXXUM MOUNT	96	2263410	SCREW-8-32 X 5/16 ZN PL [2.EA]	153	2263455	SCREW #12 [4.EA]
45	2261708	WASHER-3/8X1/2X.016 [2.EA]	97	2262607	PIN- CLEVIS ZN	154	2265126	BUMPER [4.EA]
46	2236000	BEARING NYLINER-[2.EA]	98	2260801	SPRING CLIP ZN	155	2266610	DECAL-ON/OFF SWITCH
47	2152610	SPRING-PIN LOCKBAR [2.EA]	101	2150400	PULL-GRIP	156	2262535	CONTROL BOX-PLASTIC AT'S
48	2233600	LOCK BAR- BOW MOUNT	102	2151700	WASHER-EYE SHAFT .562 OD	157	2267800	GEAR-INDICATOR [2.EA]
49	2233602	LOCK BAR- REAR ZINC	103	2790002	FOOT PEDAL/PLUG ASSEMBLY	158	2262220	INDICATOR-DRIVE
50	2152700	SPRING-LOCKBAR CAD.PLT	104	2263700	PUSH-BUTTON FOOT PEDAL	159	2261905	BRACKET/INDICATOR
51	2262703	SPRING STOP	105	2302732	SPRING-LOWER PEDAL SS	160	2301310	SCREW-8-18 X 1/2 SS
52	2153602	EYE SHAFT-2LOCKBAR STD-PLTD	106	2264023	SWITCH-SEALED ASSEMBLY	161	2264015	LIGHT/INDICATOR
54	2260506	HINGE-PIN HEADLESS ZINC	107	2262114	SCREW-MOUNTING/SWITCH [2.EA]	■	2994830	BAG ASSEMBLY-MAXXUM
			108	2233100	NUT-SWITCH MOUNT [2.EA]	*162	2263431	SCREW 1/4-20 X 3.5 PPH [6.EA]
			109	2260160	KNOB-SPEED CONTROL VAR	*163	2261713	WASHER-1/4 FLAT S/S [6.EA]

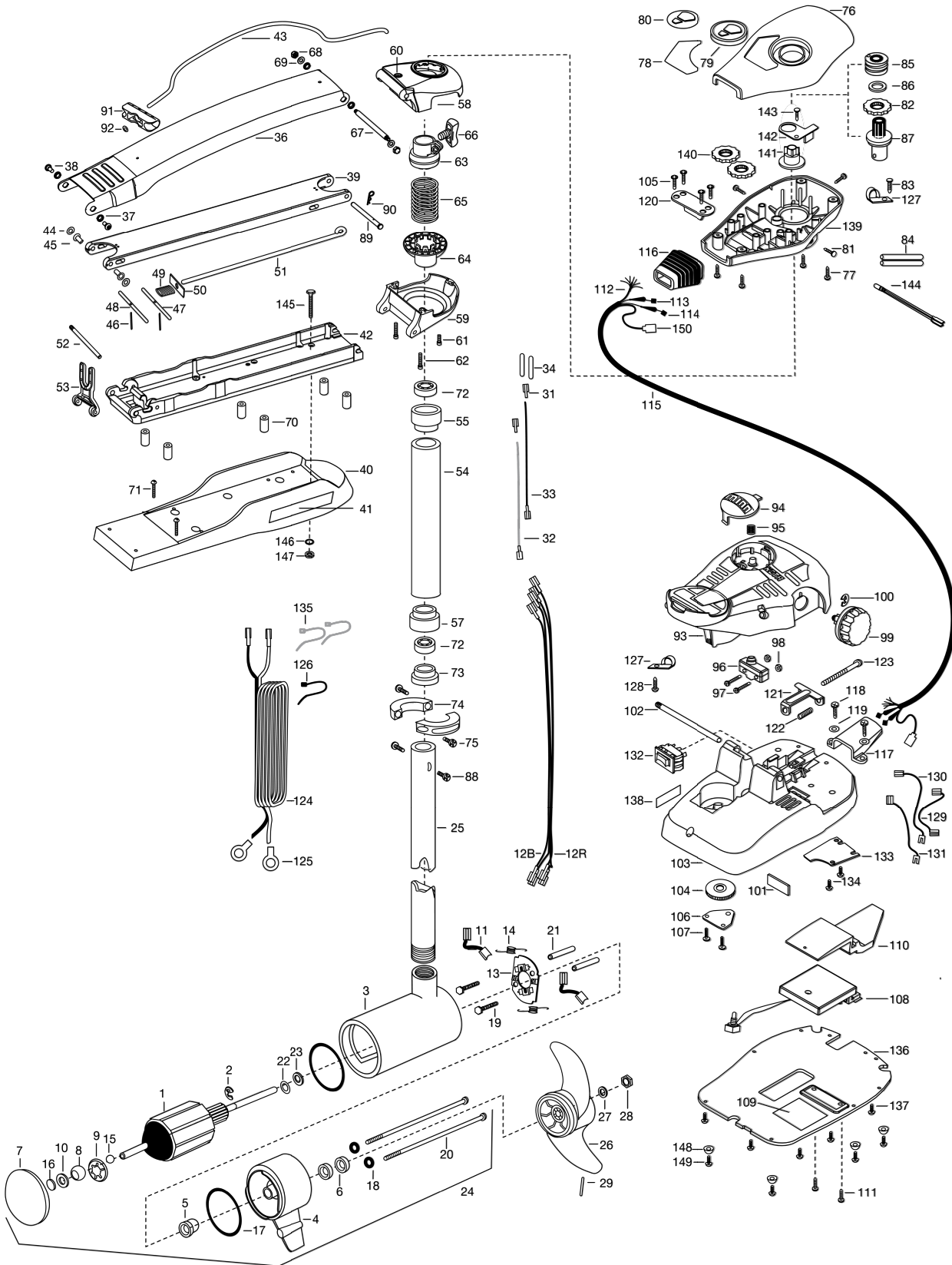
* This item is part of an assembly. This item cannot be sold separately due to machining and /or assembly that is required.

**Seal & O-ring Kit P/N 2889460



MINN KOTA®

MAXXUM 74 - 52 & 62 INCHES (ANCIEN MODÈLE)



MINN KOTA®

W W W . N A V I C O M . F R





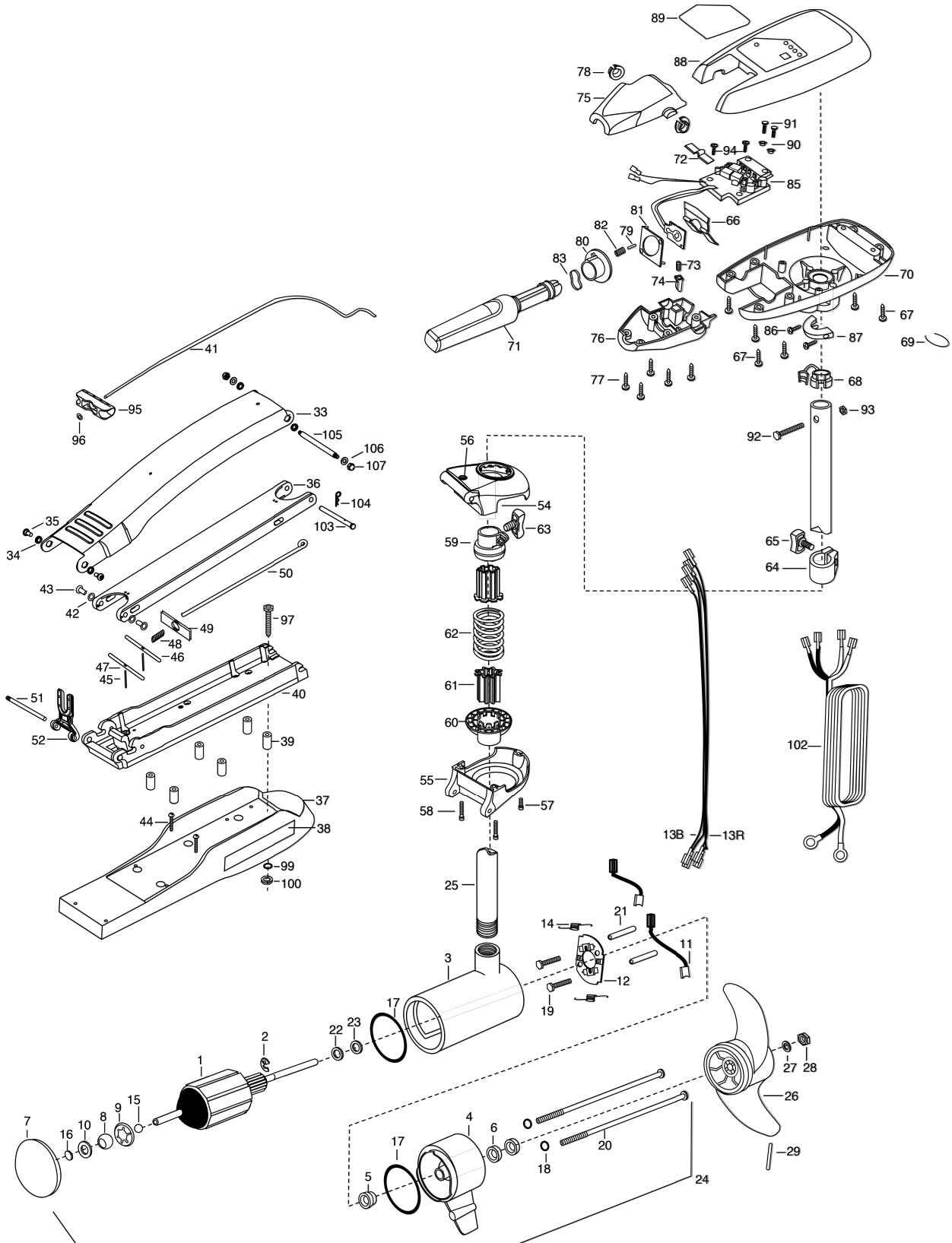
MINN KOTA®

MAXXUM 74 - 52 & 62 INCHES

(ANCIEN MODÈLE)

1	2-100-103	ARMATURE ASSEMBLY 24V 4"	47	2233600	LOCK BAR- BOW MOUNT	96	2264023	SWITCH-SEALED ASSEMBLY
2	788-040	RETAINING RING	48	2233602	LOCK BAR- REAR ZINC	97	2262114	SCREW-MOUNTING/SWITCH [2.EA]
3	431-160	CENTER HOUSING ASSEMBLY 4.0 TXT	49	2152700	SPRING-LOCKBAR CAD.PLT	98	2233100	NUT-SWITCH MOUNT [2.EA]
4	92-200-170	CENTER HOUSING ASSEMBLY 4.0- SONAR	50	2262700	SPRING STOP	99	2260160	KNOB-SPEED CONTROL VAR
5	2-300-160	BRUSH END HOUSING ASSEMBLY	51	2153604	EYE SHAFT-2LOCKBAR LG-PLTD	100	2263000	E-RING TRU-ARC#5133-43
6	144-017	BEARING- FLANGE (SERVICE ONLY)	52	2260506	HINGE-PIN HEADLESS ZINC	101	2266413	PLATE -TENSION SCREW FT.PD.
7	880-025	**SEAL [2.EA]	53	2293811	YOKE,MAX MNT-POLYPROPYLENE	102	2260511	PIN-PIVOT AT PT PDL
8	2-400-160	PLAIN END HOUSING ASSEMBLY	54	2272016	TUBE W/BEARING RACE ASSEMBLY 34"	103	2274550	FT PEDAL BASE/PIN ASSEMBLY
9	92-400-170	PLAIN END HOUSING ASSEMBLY 52" SONAR	55	2272016	TUBE W/BEARING RACE ASSEMBLY 24"	104	2262301	PULLEY- FOOT PEDAL
10	92-400-171	PLAIN END HOUSING ASSEMBLY 62" SONAR	56	2272067	TUBE OUTER 34" 62	105	2223430	SCREW #8X3/4 PPH TYPE 25 SS [4.EA]
11	784-025	BEARING SPHERICAL	57	2262260	BEARING RACE-(665T)	106	2266400	COVER-PULLEY STAMPING
12	991-040	WASHER- FELT	58	2262260	BEARING RACE-STEEL	107	2301310	SCREW-8-18 X 1/2 SS [2.EA]
13	186-094	BRUSH [2.EA]	59	2262260	BOWGUARD ASSEMBLY-FT CTRL,MAX 62	108	2264008	CONTROL BOARD ASSEMBLY 24V MAX
14	640-017	LEADWIRE-BLACK 10 AWG 61 XLP	60	2262260	BOWGUARD ASSEMBLY-FT CTRL,MAX 52	109	2365107	INSULATING PAD 2.3 X 3.2
15	640-121	LEADWIRE-RED 10 AWG 62 1/2	61	2262260	BRACKET BASE TO/EYELET ASSEMBLY	110	2264018	HEAT SINK, MACH, MAX PT
16	738-040	SPRING-TORSION [2.EA]	62	2262260	BRKT BOTTOM/BEARING FW ASSEMBLY 62	111	2263447	SCREW, 8-32 X 1 [2.EA]
17	116-025	BALL- STEEL	63	2262260	BRKT BOTTOM/BEARING FW ASSEMBLY 52	112	2261219	WIRE HARNESS AT & MAX 82.5
18	701-043	**O-RING [2.EA]	64	2262260	EYELET KIT -ROPE	113	2267510	CABLE ASSEMBLY-LEFT 5'
19	830-027	**O-RING-THRU BOLT [2.EA]	65	2262260	SCREW 1/4-20 X 3/4 ZINC	114	2267510	CABLE ASSEMBLY-LEFT 5'
20	830-094	SCREW- SELF THREAD 10-32X2 [2.EA]	66	2261535	SCREW 1/4-20 X 20X2-1/4 SHCP [2.EA]	115	2265430	CABLE JACKET 5'
21	973-025	THRU BOLT 12-24X10.31 [2.EA]	67	2261535	SPRING-SLEEVE UPPER	116	2265110	BOOT-CONTROL BOX
22	900-051	WASHER- STEEL	68	2261535	SPRING-SLEEVE LOWER	117	2265110	BOOT-CONTROL BOX
23	990-052	WASHER- NYLATRON	69	2261535	SPRING, BOWGUARD, FC PAINTED	118	2372100	SCREW-8-18 X 5/8 THD SS [2.EA]
24	2317033 / 2317036	MOTOR ASSEMBLY 52" /62"	70	2261722	SCREW-COLLAR/NEW KNOB	119	2261714	WASHER-MAXXUM PT PDL [2.EA]
25	2327033	MOTOR ASSEMBLY 24V 4" VARS 52" SONAR	71	2261722	PIN- THREADED	120	2261901	BRACKET-CONDUIT AT/MAX
26	2327038	MOTOR ASSEMBLY 24V 4" VARS 62" SONAR	72	2261722	NUT - NYLOC SS [2.EA]	121	2263210	BRACKET-CONDUIT ADJUSTMENT
27	2032066	TUBE COMP W/CSK HOLE 62"	73	2261505	WASHER [2.EA]	122	2262720	SPRING-CONDUIT AD
28	2032067	TUBE COMP W/CSK HOLE 52"	74	2263434	BAG ASSEMBLY	123	2263466	SCREW-1/4-20 X 2 STL PPH
29	2032064	TUBE COMP W/CSK HOLE 48"	75	2263434	SPACER, MOTOR REST [6.EA]	124	2261227	LEADWIRE VARIABLE
30	1378129	PROPELLER KIT	76	2266200	SCREW, 8-18 X 1 PPH SS [2.EA]	125	2020700	TERMINAL RING, 3/8 [2.EA]
31	2091701	PROPELLER W/WEDGE HP&RT	77	2266115	BEARING BALL-STEEL	126	2266300	TIE WRAP-5.5 BLACK
32	2093101	WASHER-PROP LARGE	78	2266115	BEARING CONE	127	2263201	CLAMP WIRE HARNESS MICRO [2.EA]
33	2092800	NUT-PROP NYLOCK SS	79	2266115	COLLAR HALF-PAINTED-2 PER- KIT	128	2332103	SCREW-6-20 X 3/8 THD SS
34	2030316	PIN-DRIVE SS	80	2266115	SCREW-1/4-20 X 3/4 SHCS SS [2.EA]	129	2260312	CONNECTING WIRE VAR SPD
35	2030317	CONNECTOR BUTT [2.EA]	81	2266115	CONTROL BOX COVER-MAXXUM	130	2260323	WIRE,BLK W/WHT STRP 19 1/4
36	2030318	WIRE EXTENSION-18 RED	82	2266115	DECAL COVER, MAXXUM 74	131	2264031	WIRE,BLK W/GRN STP VARIABLE
37	2030319	WIRE EXTENSION-18 BLACK	83	2266115	DECAL INDICATOR	132	2264031	SWITCH-MOM/OFF/CON
38	2375400	SHRINK TUBE 1/40DX1-3/4 [2.EA]	84	2266115	POINTER DISC TRANSLCNT RED	133	2266412	SWITCH PLATE, PT PEDAL
39	2771864	MOUNTBOW ASSEMBLY, FW 62 W/BG	85	2266115	DECAL-INDICATOR	134	2332103	SCREW-6-20 X 3/8 THD SS [2.EA]
40	2771869	MOUNTBOW ASSEMBLY, FW 52 W/BG	86	2266115	SCREW-#8-32 X 1/2 TRI-LOBE [3.EA]	135	2266301	TIE WRAP-5.5 WHITE [2.EA]
41	2264246	ARM UPPER-FW LONG	87	2266115	GEAR-INDICATOR	136	2264510	BOTTOM PLATE, MAXXUM PT
42	2293501	BUSHING, STAINLESS STEEL [4.EA]	88	2266115	SCREW-8-18 X 1/2 SS	137	2372100	SCREW-8 X 1/2 SS [5.EA]
43	2263500	BOLT, SHOULDER MAXXUM [2.EA]	89	2266115	SHRINK TUBE-3/8 OD X 2- [2.EA]	138	2266610	DECAL-ON/OFF SWITCH
44	2274317	ARM-LOWER ASSEMBLY LG.FWEXT	90	2266115	PULLEY-CABLE DRUM	139	2262535	CONTROL BOX-PLASTIC
45	2263913	MOTOR REST LONG MAXXUM	91	2266115	WASHER-NYLON	140	2267800	GEAR-INDICATOR [2.EA]
46	2265514	DECAL-MAXXUM/MOTOR REST [2.EA]	92	2266115	PINION/RACE ASSEMBLY	141	2262220	INDICATOR-DRIVE
47	2273986	BOWPLATE- FW LG MACH/INSERT	93	2266115	SCREW-8-32 X 5/16 ZN PL [2.EA]	142	2261905	BRACKET/INDICATOR
48	2251601	ROPE 40" MAXXUM MOUNT	94	2266115	PIN- CLEVIS ZN	143	2301310	SCREW-8-18 X 1/2 SS
49	2261708	WASHER-3/8X12X.010 SS [2.EA]	95	2266115	SPRING CLIP ZN	144	2264015	LIGHT/INDICATOR
50	2236000	BEARING NYLINER- [2.EA]				145	2994830	BAG ASSEMBLY-MAXXUM
51	2152610	SPRING-PIN LOCKBAR [2.EA]				146	2261713	SCREW 1/4-20 X 3.5 PPH [6.EA]
52						147	2263103	WASHER-1/4 FLAT S/S [6.EA]
53						148	2265126	NUT-1/4-20 NYLOCK-JAM [6.EA]
54						149	2263455	BUMPER [4.EA]
55						150	2211400	SCREW #12 [4.EA]
56								EXTENSION CABLE- SONAR

MAXXUM 74 HAND CONTROL - 42 INCHES (ANCIEN MODÈLE)





MINN KOTA®

MAXXUM 74 HAND CONTROL - 42 INCHES

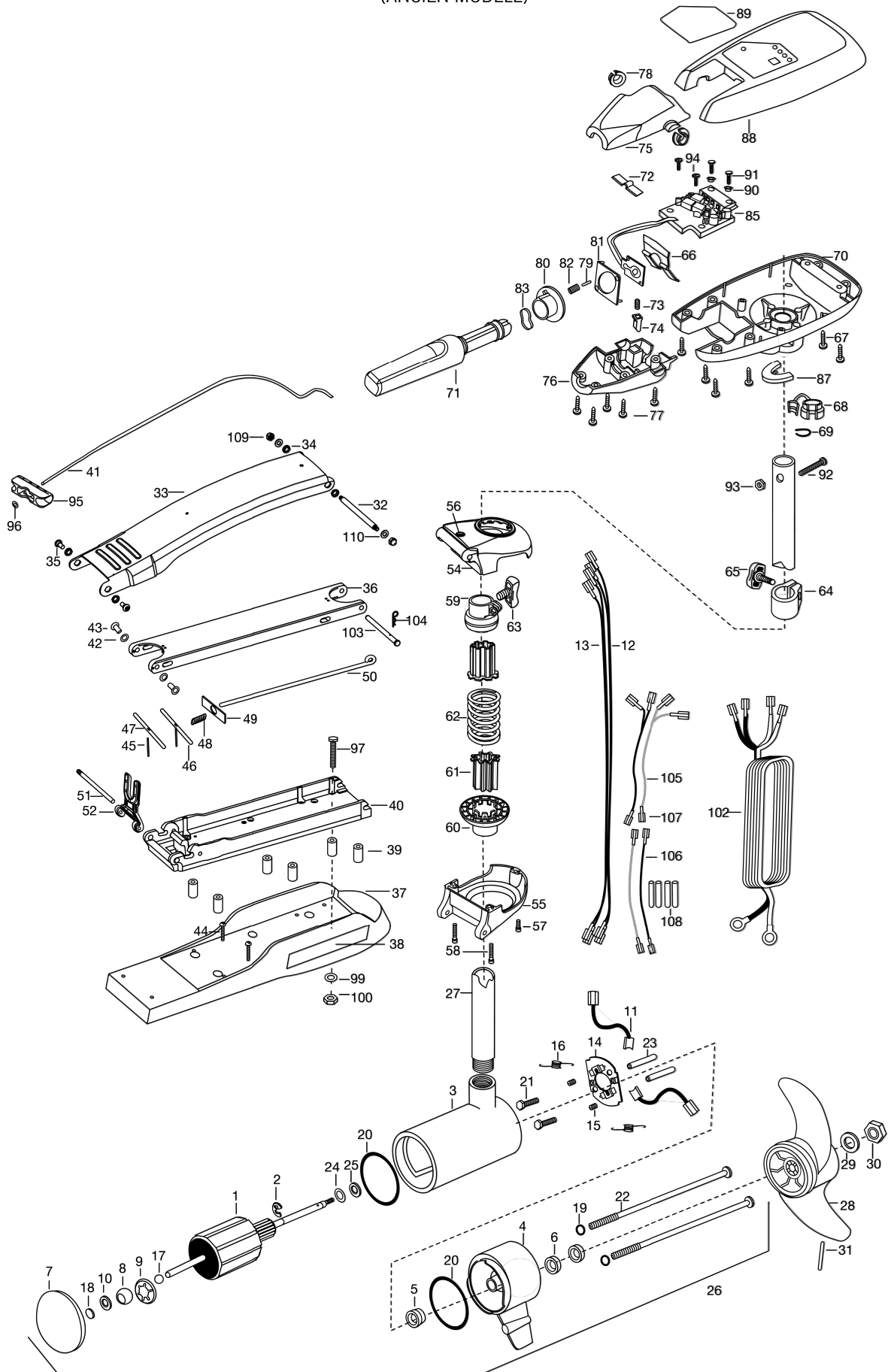
(ANCIEN MODÈLE)

1	2-100-103	ARMATURE ASSEMBLY 24V 4"74#	36	2994307	ARM-LOWER ASSY,STD,FW,EX	71	2990914	HANDLE ASSEMBLY W/O U-JOINT
2	788-040	RETAINING RING	37	2263912	MOTOR REST STD MAX	72	2302742	SPRING-DETENT (OFF) SS
3	431-160	HOUSING ASSEMBLY CENTER 4.0 TXT	38	2265514	DECAL-MAXXUM,MOTOR REST [2.EA]	73	2302745	SPRING-RELEASE BUTTON SS
4	2-300-160	BRUSH END HOUSING ASSEMBLY	39	2261505	SPACER, MOTOR REST [6.EA]	74	2303720	RELEASE BUTTON-HANDLE
5	144-017	BEARING- FLANGE (SERVICE ONLY)	40	2773987	BOWPLATE,STD FW/INSERT	75	2060409	HANDLE- TOP HALF MAXIMIZE
6	880-025	**SEAL [2.EA]	41	2251601	ROPE- 40", MAXXUM MOUNT	76	2060415	HANDLE - LOWER HALF
7	2-400-160	PLAIN END HOUSING ASSEMBLY	42	2261708	WASHER-3/8"X1/2"X.010 SS [2.EA]	77	2303412	SCREW-6-20 X 5/8 SELF TAP [5.EA]
8	144-021	BEARING SPHERICAL	43	2236000	BEARING NYLINER- [2.EA]	78	2060005	BEARING-HANDLE PIVOT [2.EA]
9	784-025	BEARING RETAINER	44	2263434	SCREW, 8-18 K 1" PPH SS [2.EA]	79	2302600	PIN-ACTUATOR
10	991-040	WASHER- FELT	45	2152610	SPRING-PIN LOCKBAR [2.EA]	80	2302850	ACTUATOR-CAM
11	188-094	BRUSH 4" TERMINAL [2.EA]	46	2233600	LOCK BAR-BOW MOUNT	81	2302851	ACTUATOR-FWD/REV
12	738-040	BRUSH PLATE	47	2233602	LOCK BAR, REAR - ZINC	82	2302740	SPRING- ACTUATOR
13B	640-015	LEADWIRE-BLK 10 AWG [2.EA]	48	2152700	SPRING- LOCKBAR CAD,PLT	83	2302741	SPRING-CAM ZNC PLTD STEEL
13R	640-119	LEADWIRE-RED 10 AWG [2.EA]	49	2262703	SPRING STOP MAX	85	2344005	CONTROL BOARD ASSEMBLY
14	975-041	SPRING- TORSION [2.EA]	50	2153602	EYE SHAFT-2LOCKBAR STD	86	2223430	SCREW #8X3/4 PPH TYPE 25 SS [2.EA]
15	116-025	BALL- STEEL	51	2260506	HINGE-PIN HEADLESS ZINC	87	2061515	COLLAR-CTRL BOX FRS-WTR
16	303-043	THRUST DISC-METAL	52	2293811	YOKE, MAX MNT-POLYPROPYLE	88	2260290	CONTROL BOX COVER BLACK
17	701-043	**O-RING [2.EA]	■	2991866	BOWGUARD ASSEMBLY-HAND CTRL	89	2266535	DECAL COVER, MAXXUM 74/H
18	701-009	**O-RING —THRU BOLT [2.EA]	54	2772315	BRACKET BASE TOP/INSERT	90	2301710	WASHER-INSUL. TRANSF.BAR [2.EA]
19	830-027	SCREW -SELF THREAD 10-32X2 [2.EA]	55	2991993	BRKT BTM/BEARING FW ASSEMBLY	91	2372100	SCREW-8-18 X 5/8 THD* SS [2.EA]
20	830-094	THRU BOLT 12-24X10.31 [2.EA]	56	2772352	EYELET-ROPE KIT	92	2383407	SCREW-10-24 X 2" PPH ZINC
21	973-025	SPACER- BRUSH PLATE [2.EA]	57	2263402	SCREW 1/4-20 K 3/4" ZINC	93	2383124	NUT-10-24 NYLOC ZINC
22	990-051	WASHER- STEEL	58	2263404	SCREW-1/4-20X2 1/4 SHCP [2.EA]	94	2301310	SCREW-8-18 X 1/2 SS [2.EA]
23	990-052	WASHER- NYLATRON	59	2261525	SPRING-SLEEVE UPPER	95	2150400	PULL-GRIP
24	2317036	MTR ASSEMBLY 24V 4" VARS	60	2261535	SPRING SLEEVE, LOWER	96	2151700	WASHER-EYE SHAFT .562 OD
25	2032058	TUBE- COMPOSITE 42"	61	2264702	INSERT-TUBE (2 PER) B.MNT [2.EA]	■	2994830	BAG ASSEMBLY-MAXXUM
■	1378129	PROPELLER KIT	62	2262704	SPRING, BOWGUARD, HAND CT	*97	2263431	SCREW 1/4-20 X 3.5 PPH [6.EA]
26	2331120	PROPELLER -W/WEDGE	63	2011365	SCREW-COLLAR/NEW KNOB	*99	2261713	WASHER-1/4 FLAT SS [6.EA]
27	2091701	WASHER-PROP LARGE)	64	2031520	COLLAR-DEPTH W/O INSERT	**100	2263103	NUT-1/4-20 NYLOCK-JAM SS [6.EA]
28	2093101	NUT-PROP/NYLOC LARGE MAX101	65	2011365	SCREW-COLLAR/NEW KNOB	102	2330600	LEADWIRE 10GA. RINGS
29	2092600	PIN-DRIVE SS	66	2302743	SPRING-DETENT HANDLE-TILT	103	2262607	PIN-CLEVIS ZP MAXXUM BW/GD
■	2771866	MOUNT, BOW ASSEMBLY W/BOWGRD	67	2303412	SCREW-6-20-X 5/8 SELF TAP [6.EA]	104	2260801	CLIP- SPRING ZP MAX BG
33	2264241	ARM-UPPER FW,STD	68	2332900	STRAIN RELIEF-C.CORD/C.BX	105	2262605	PIN- BWGRD UPPER THREADED ZP
34	2293501	BUSHING, STAINLESS STEEL [4.EA]	69	2303001	RING-PIG LOXIT HILL #2	106	2261722	WASHER- FLAT [2.EA]
35	2263500	BOLT, SHOULDER MAXXUM [2.EA]	70	2062593	CONTROL BOX,FW , 875 BORE, ZNC	107	2223100	NUT-TENSION 5/16-18 SS [2.EA]

**Seal & Oring Kit P/N 2889460

* This item is part of an assembly. This item cannot be sold separately due to machining and for assembly that is required.

MAXXUM 74 HAND CONTROL - 52 INCHES
(ANCIEN MODÈLE)





MINN KOTA®

MAXXUM 74 HAND CONTROL - 52 INCHES

(ANCIEN MODÈLE)

1	2-100-103	ARMATURE ASSEMBLY 24V 4" FW SW 74#	36	2994307	ARM-LOWER ASSY,STD,FW,EX	73	2302745	SPRING-RELEASE BUTTON SS
2	788-040	RETAINING RING	37	2263912	MOTOR REST STD MAX	74	2303720	RELEASE BUTTON-HANDLE
3	431-160	HOUSING ASSEMBLY CENTER 4.0 TXT	38	2265514	DECAL-MAXXUM,MOTOR REST [2.EA]	75	2060409	HANDLE (TOP HALF)MAXIMIZE
4	2-300-160	BRUSH END HOUSING ASSEMBLY FW TXT	39	2261505	SPACER, MOTOR REST [6.EA]	76	2060415	HANDLE (LOWER HALF)
5	144-017	BEARING- FLANGE (SERVICE ONLY)	40	2773987	BOWPLATE,STD FW-MACH/INSERT	77	2303412	SCREW-6-20 X 5/8 SELF TAP [5.EA]
6	880-025	**SEAL [2.EA]	41	2251601	ROPE (40"), MAXXUM MOUNT	78	2060005	BEARING-HANDLE PIVOT [2.EA]
7	2-400-160	PLAIN END HOUSING ASSEMBLY	42	2261707	WASHER-3/8"X1/2"X.016 SS [2.EA]	79	2302600	PIN-ACTUATOR
8	144-021	BEARING SPHERICAL	43	2236000	BEARING NYLINER- [2.EA]	80	2302850	ACTUATOR-CAM
9	784-025	BEARING RETAINER	44	2263434	SCREW, 8-18 K 1" PPH SS [2.EA]	81	2302851	ACTUATOR-FWD/REV
10	991-040	WASHER- FELT	45	2152610	SPRING-PIN (LOCKBAR) [2.EA]	82	2302740	SPRING- (ACTUATOR)
11	186-094	BRUSH 4." [2.EA]	46	2233600	LOCK BAR- (BOW MOUNT)	83	2302741	SPRING-CAM ZNC PLTD STEEL
12	640-015	BRUSH WIRE- BLK 10 AWG 55 XLP	47	2233602	LOCK BAR, REAR - ZINC	85	2344005	CONTROL BOARD ASSEMBLY
13	640-115	BRUSH WIRE RED 10 AWG 56 1/2	48	2152700	SPRING-(LOCKBAR) CAD.PLT	87	2061512	COLLAR-CTRL BOX (FRS-WTR)
14	738-040	BRUSH PLATE	49	2262703	SPRING STOP MAX	88	2990294	CONTROL BOX COVER/DECAL ASSEMBLY
15	830-028	SCREW- 10-32X.164 [2.EA]	50	2153602	EYE SHAFT-2LOCKBAR STD	89	2265535	DECAL COVER, MAXXUM 74/H
16	975-041	SPRING- TORSION [2.EA]	51	2260506	HINGE-PIN (HEADLESS)ZINC	90	2301710	WASHER-INSUL. (TRANSFBAR) [2.EA]
17	116-025	BALL- STEEL	52	2293811	YOKE,MAX MNT-POLYPROPYLE	91	2372100	SCREW-8-18 X 5/8 THD* SS [2.EA]
18	303-043	THRUST DISC- METAL	■	2991866	BOWGUARD ASSEMBLY-HAND CTRL	92	2383407	SCREW-10-24 X 2" PPH ZINC
19	701-009	**O-RING — THRU BOLT [2.EA]	54	2772315	BRACKET BASE TOPI/EYELET	93	2383124	NUT-10-24 NYLOC (ZINC)
20	701-043	**O-RING [2.EA]	55	2991993	BRKT BTM/BEARING FW ASSEMBLY	94	2301310	SCREW-8-18 X 1/2 SS [2.EA]
21	830-027	SCREW -SELF THREAD 10-32X2 [2.EA]	56	2772352	EYELET KIT	95	2150400	PULL-GRIP (RAW)
22	830-094	THRU BOLT 12-24X10.31 [2.EA]	57	2263402	SCREW 1/4-20 K 3/4" ZINC	96	2151700	WASHER-EYE SHAFT(.562 OD)
23	973-025	SPACER- BRUSH PLATE [2.EA]	58	2263404	SCREW-1/4-20X2 1/4 SHCP [2.EA]	■	2994830	BAG ASSEMBLY-MAXXUM
24	990-051	WASHER- STEEL	59	2261525	SPRING-SLEEVE UPPER	*97	2263431	SCREW 1/4-20 X 3.5 PPH [6.EA]
25	990-052	WASHER- NYLATRON	60	2261535	SPRING SLEEVE, LOWER	*99	2261713	WASHER-1/4 FLAT SS [6.EA]
26	2317033	MTR ASSEMBLY 24V 4" VARS TXT FW	61	2264702	INSERT-TUBE B.MNT [2.EA]	*100	2263103	NUT-1/4-20 NYLOCK-JAM SS [6.EA]
27	2032081	TUBE-CARBON COMPOSITE 52"	62	2262704	SPRING, BOWGUARD, HAND CT	102	2330600	LEADWIRE 10GA. RINGS
■	1378129	PROPELLER KIT	63	2011365	SCREW-COLLAR/NEW KNOB	103	2262607	PIN- CLEVIS
28	2331120	PROPELLER (W.WEDGE)	64	2031520	COLLAR-DEPTH (W/O INSERT)	104	2260801	SPRING CLIP
29	2091701	WASHER-PROP (LARGE)	65	2011365	SCREW-COLLAR/NEW KNOB	105	2030317	WIRE EXTENSION 18" RED [2.EA]
30	2093101	NUT-PROP,NYLOC (LARGE)/MAX101	66	2302743	SPRING-DETENT(HANDLE-TILT)	106	2030316	WIRE EXTENSION 18"BLK [2.EA]
31	2092600	PIN-DRIVE SS	67	2303412	SCREW-6-20-X 5/8 SELF TAP [6.EA]	107	2030710	CONNECTOR BUTT [4.EA]
32	2262605	PIN- THREADED ZN	68	2332900	STRAIN RELIEF-C.CORD/C.BX	108	2375400	SHRINK TUBE 1/4ODX1-3/4 [4.EA]
■	2771866	MOUNT, BOW ASSY, FW STD W/BG	69	2303001	RING-PIG (LOXIT HILL #2)	109	2223100	NUT-NYLOC [2.EA]
33	2264241	ARM-UPPER FW,STD	70	2062586	CONTROL BOX,FW, .875 BORE,	110	2261722	WASHER [2.EA]
34	2293501	BUSHING, STAINLESS STEEL [4.EA]	71	2990914	HANDLE ASSEMBLY W/O U-JOINT			
35	2263500	BOLT, SHOULDER (MAXXUM) [2.EA]	72	2302742	SPRING-DETENT (OFF) SS			

** Seal & Oring Kit P/N 2889460

* This item is part of an assembly. This item cannot be sold separately due to machining and /or assembly that is required.