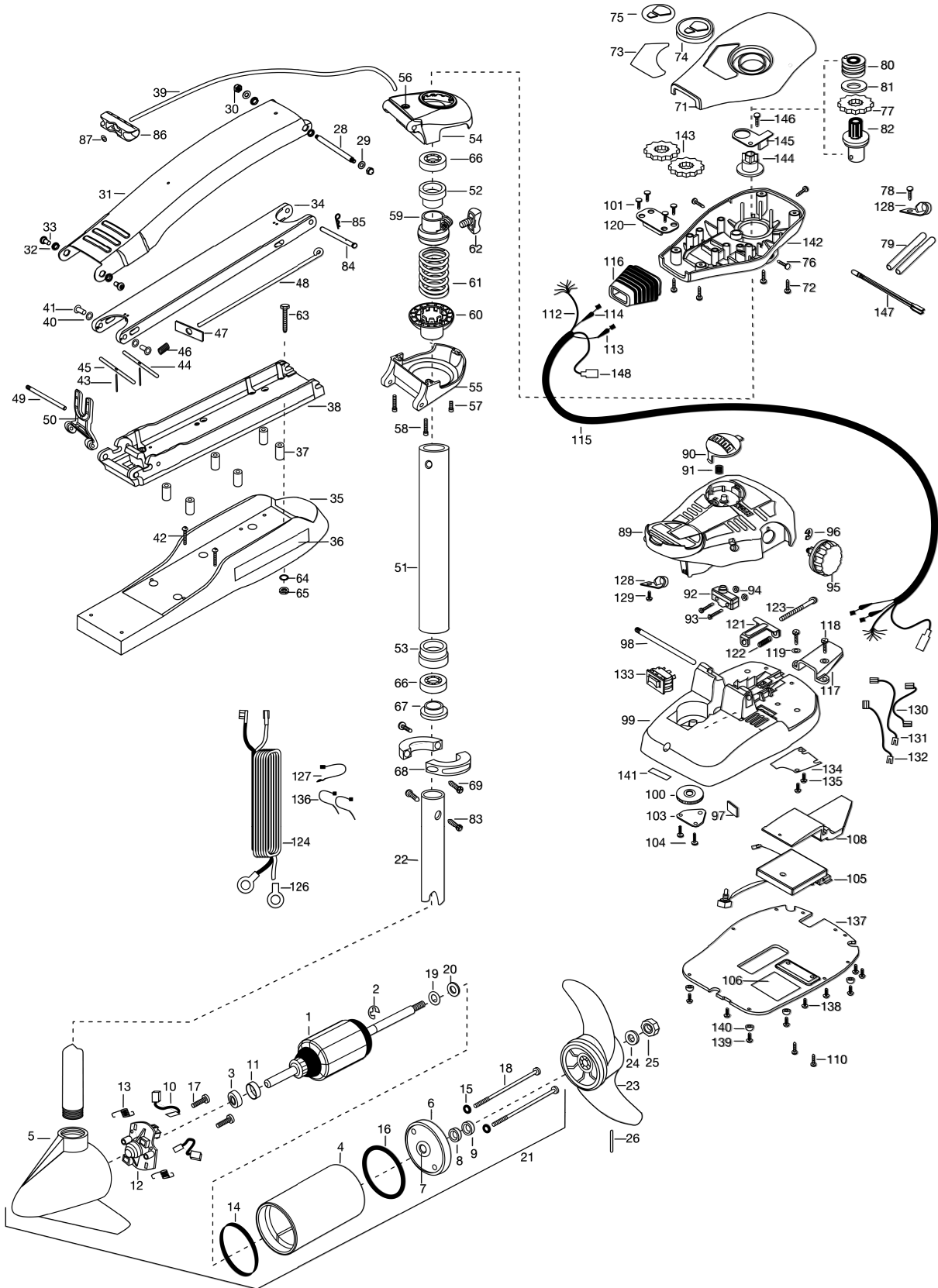


MAXXUM 65 SC - 42 INCHES (ANCIEN MODÈLE)





MINN KOTA®

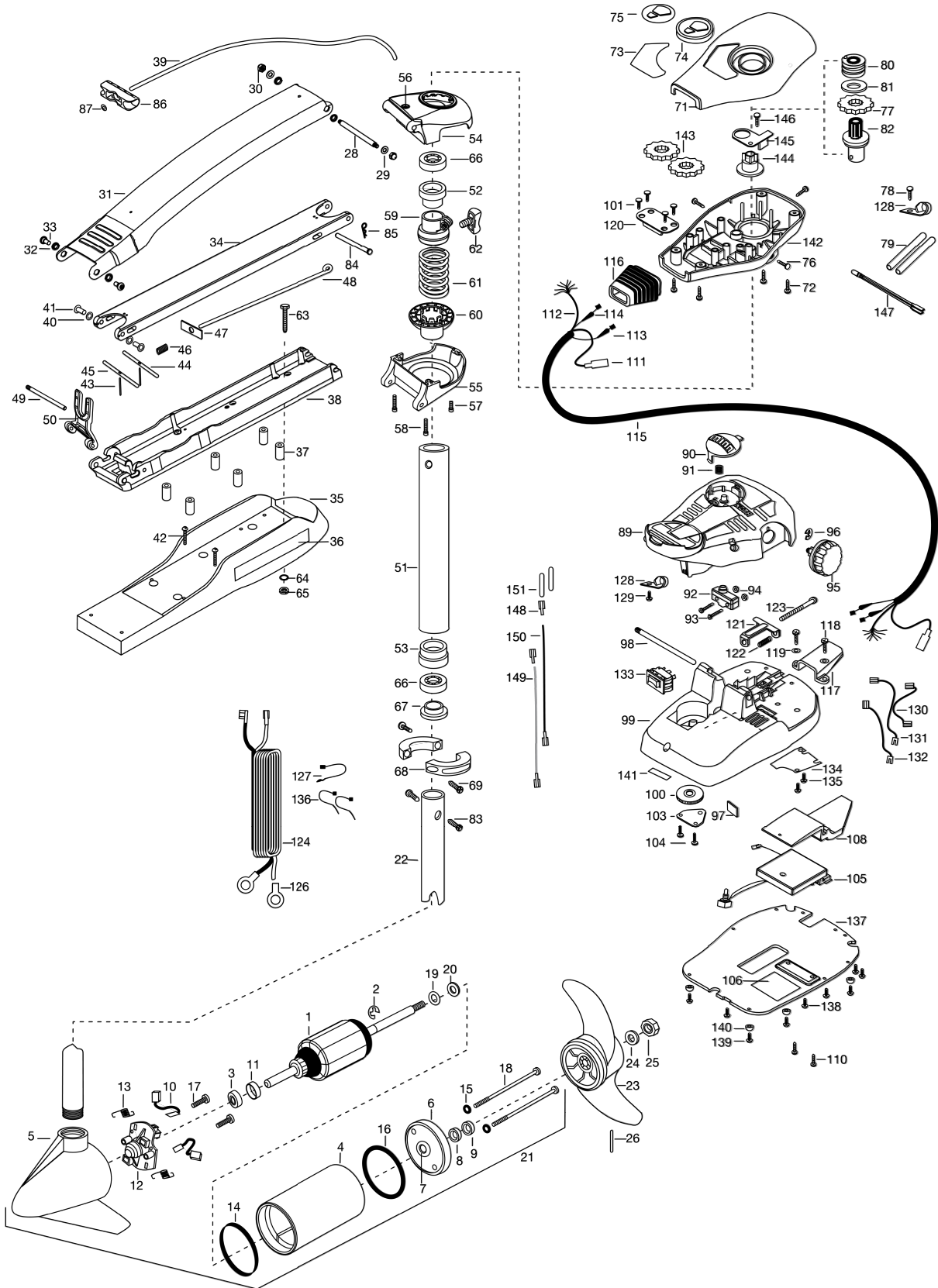
MAXXUM 65 SC - 42 INCHES
(ANCIEN MODÈLE)

1	2-100-009	ARMATURE ASSEMBLY	47	2262703	SPRING STOP- MAXXUM	95	2260160	KNOB- SPEED CONTROL (VAR)
2	788-015	RETAINING RING	48	2153602	EYE SHAFT-2LOCKBAR STD	96	2263000	E-RING THU-ARC
3	140-010	BALL BEARING	49	2260506	HINGE-PIN HEADLESS ZINC	97	2266413	TENSION SCREW PLATE FT PEDAL
4	431-005	CENTER HOUSING ASSEMBLY	50	2293811	YOKE- MAXXUM MOUNT,POLYPROPYLENE	*98	2260511	PIN- PIVOT A/T FT PDL
5	9421-165	HOUSING BRUSH END 3.62 SONAR	51	2272012	TUBE W/BEARING RACE ASSEMBLY	99	2274550	FT PEDAL BASE/PIN ASSEMBLY
6	421-065	HOUSING BRUSH END 3.62	52	2272089	TUBE OUTER-21" 4 HOLES	100	2262301	PULLEY- FOOT PEDAL
7	2-400-101	PLAIN END HOUSING ASSEMBLY	53	2266220	BEARING RACE	101	2223430	SCREW- #8X3/4 PPH TYPE 25 SS [4.EA]
8	880-003	BEARING - FLANGE (SERVICE CENTER ONLY)	54	2266220	BEARING RACE- STEEL	103	2266400	COVER- PULLEY
9	880-006	**SEAL	55	2991869	BOWGUARD ASSEMBLY- FT CTRL,FW	104	2301310	SCREW- 8-18 X 1/2 [4.EA]
10	188-036	BRUSH ASSEMBLY [2.EA]	56	2272315	BRACKET BASE TOP/ EYELET ASSEMBLY	105	2264008	CONTROL BOARD ASSEMBLY 24V MAX65/FC
11	725-050	BRUSH RETENTION- PAPER TUBE	57	2291999	BRKT BOTTOM/BEARING FW ASSEMBLY	106	2265107	INSULATING PAD (2.3X3.2)
12	738-036	BRUSH PLATE WHOLDER	58	2272352	EYELET- KIT	108	2264018	HEAT SINK- MACH, MAX FTL
13	975-040	SPRING - TORSION [2.EA]	59	2263404	SCREW- 1/4-20 X 3/4" ZINC	110	2263447	SCREW- 8-32 X 1" [2.EA]
14	337-036	**GASKET	60	2261525	SCREW-1/4-20 X 2 1/4 SCHP SS [2.EA]	112	2261219	WIRE HARNESS AT & MAX
15	701-008	**O-RING, THRU-BOLT [2.EA]	61	2262706	SPRING SLEEVE- UPPER	113	2267500	CABLE ASSEMBLY- RIGHT (5')
16	701-081	**O-RING	62	2011365	SPRING- BOWGUARD, NIK PL	114	2267510	CABLE ASSEMBLY- LEFT (5')
17	830-007	SCREW-8-32 [2.EA]	63	2294830	SCREW- COLLAR/NEW KNOB	115	2265430	CABLE JACKET (5')
18	830-008	THRU-BOLT-10-32X9.2 [2.EA]	64	2263431	BAG ASSEMBLY- MAXXUM	116	2265110	BOOT- CONTROL BOX
19	990-067	WASHER- STEEL THRUST	*63	2262430	SCREW- 1/4-20 X 3.5 PPH [6.EA]	117	2265115	BOOT- FOOT PEDAL BASE
20	990-070	WASHER- NYLATRON	*64	2261713	SCREW- 1/4-20 X 3.5 PPH [6.EA]	118	2372100	SCREW- 8-18X5/8 THD [2.EA]
21	2098030 / 2108030	MOTOR ASSEMBLY / SONAR	*65	2263103	WASHER- 1/4 FLAT S/S [6.EA]	119	2261714	WASHER- MAXXUM FT PDL [2.EA]
22	2032061	TUBE- COMPOSITE W/CSK HOLE 43-3/4	66	2266000	NUT- 1/4-20 NYLOCK-JAM SS [6.EA]	120	2261901	BRACKET-CONDUIT
23	1378122	PROPELLER KIT	67	2266115	BEARING BALL- STEEL [2.EA]	121	2263210	BRACKET-CONDUIT ADJUST
24	2091150	PROPELLER W/WEDGE	*68	2261619	BEARING CONE	122	2262720	SPRING- CONDUIT ADJUST
25	2151726	WASHER-5/16 SS	*69	2263452	COLLAR HALF- ZINC [2.EA]	123	2263463	SCREW- 1/4-20X2" STL PPH
26	2053101	NUT-FROP NYLOC	71	2260283	SCREW- 1/4-20X3/4 [2.EA]	124	2261227	LEADWIRE- AT VARIABLE
27	2092600	PIN-DRIVE	72	2372100	CONTROL BOX COVER- MAXXUM	126	2020700	TERMINAL RING- 3/8" [2.EA]
28	2262605	PIN- BWGRD UPPER THREADED ZP	73	2265620	SCREW- 8-18 X 5/8 THD [4.EA]	127	2266300	TIE WRAP- 5.5" BLACK
29	2261722	WASHER- FLAT [2.EA]	74	2260150	DECAL- COVER MAX65/FC	128	2263201	CLAMP WIRE HARNESS MICRO [2.EA]
30	2223100	NUT- TENSION 5/16-18 SS [2.EA]	75	2265800	POINTER DISC TRNSLCT RED	129	2332103	SCREW- 6-20X3/8 THD (SS)
31	2264241	MOUNT- BOW ASSEMBLY, STD FW MAX	76	2053414	DECAL- INDICATOR	130	2260316	CONNECTING WIRE (VAR,SPD)
32	2293501	ARM-UPPER STD FW	77	2267800	SCREW- 8-32 X 1/2 TRI-LOBE [3. EA]	131	2260312	WIRE- BLK W/WHT STRP 19 -1/4"
33	2263500	BUSHING- STAINLESS STEEL [4.EA]	78	2301310	GEAR- INDICATOR	132	2260323	WIRE- BLK W/GRN STP VARIABLE
34	2274315	BOLT- SHOULDER MAXXUM [2.EA]	79	2355410	SCREW- 8-18 X 1/2	133	2254031	SWITCH- MOM/OFF/CON
35	2274315	ARM-LOWER ASSEMBLY,STD,FW,EXTRA [INCLUDES 39, 43-47, 86,87]	80	2232360	SHRINK TUBE- 3/8 OD X 2" [2.EA]	134	2266412	SWITCH PLATE- FT PEDAL
36	2263912	MOTOR REST (STD) FW	81	2261730	PULLEY- CABLE DRUM	135	2332103	SCREW- 6-20X3/8 THD SS [2.EA]
37	2265514	DECAL- MAXXUM MOTOR REST [2.EA]	82	2996246	WASHER- NYLON A/T CON	136	2256301	TIE WRAP- 5.5" WHITE [2.EA]
38	2261505	SPACER- MOTOR REST [6.EA]	83	2263410	TOP BEARING RACE / PINION DRIVE	137	2274510	BOTTOM PLATE- MAXXUM FT
39	2273987	BOWPLATE- WINSERT	84	2262607	SCREW- 8-32 X 5/16 [2.EA]	138	9953104	SCREW-8 X 1/2" (SS) [5.EA]
40	2261708	ROPE (40"), MAXXUM MOUNT	85	2260801	PIN- CLEVIS ZP MAXXUM BWGRD	139	2263455	SCREW- #12-14X1/2 THR FRM [4.EA]
41	2236000	WASHER- 3/8X1/2X.010 SS [2.EA]	86	2150400	CLIP- SPRING ZP MAX BG	140	2265126	BUMPER PAD- FOOT PEDAL [4.EA]
42	2263434	BEARING NYLINER [2.EA]	87	2151700	PULL- GRIP	141	2266610	DECAL- ON/OFF SWITCH
43	2152610	SCREW, 8-18X1" PPH [2.EA]	89	2790002	WASHER- EYE SHAFT(.562 OD)	142	2262535	CONTROL BOX- PLASTIC
44	2233600	SPRING- PIN LOCKBAR [2.EA]	90	2263700	FOOT PEDAL/PLUG ASSEMBLY	143	2267800	GEAR- INDICATOR [2.EA]
45	2233602	LOCK BAR- BOW MOUNT	91	2302732	PUSH- BUTTON FOOT PEDAL	144	2262220	INDICATOR- DRIVE
46	2152700	LOCK BAR REAR - ZINC	92	2284023	SPRING- LOWER PEDAL	145	2261905	BRACKET/INDICATOR
		SPRING- LOCKBAR CAD,PLTD	93	2262114	SWITCH- SEALED ASSEMBLY	146	2301310	SCREW- 8-18X1/2"
			94	2233100	SCREW- MOUNTING/SWITCH [2.EA]	147	2264015	LIGHT/INDICATOR
					NUT- SWITCH MOUNT [2.EA]	148	2211400	EXTENSION CABLE -SONAR

**Seal & Oring Kit P/N 2888460

* This item is part of an assembly. This item cannot be sold separately due to machining and /or assembly that is required.

MAXXUM 65 SC - 52 & 62 INCHES (ANCIEN MODÈLE)





MINN KOTA®

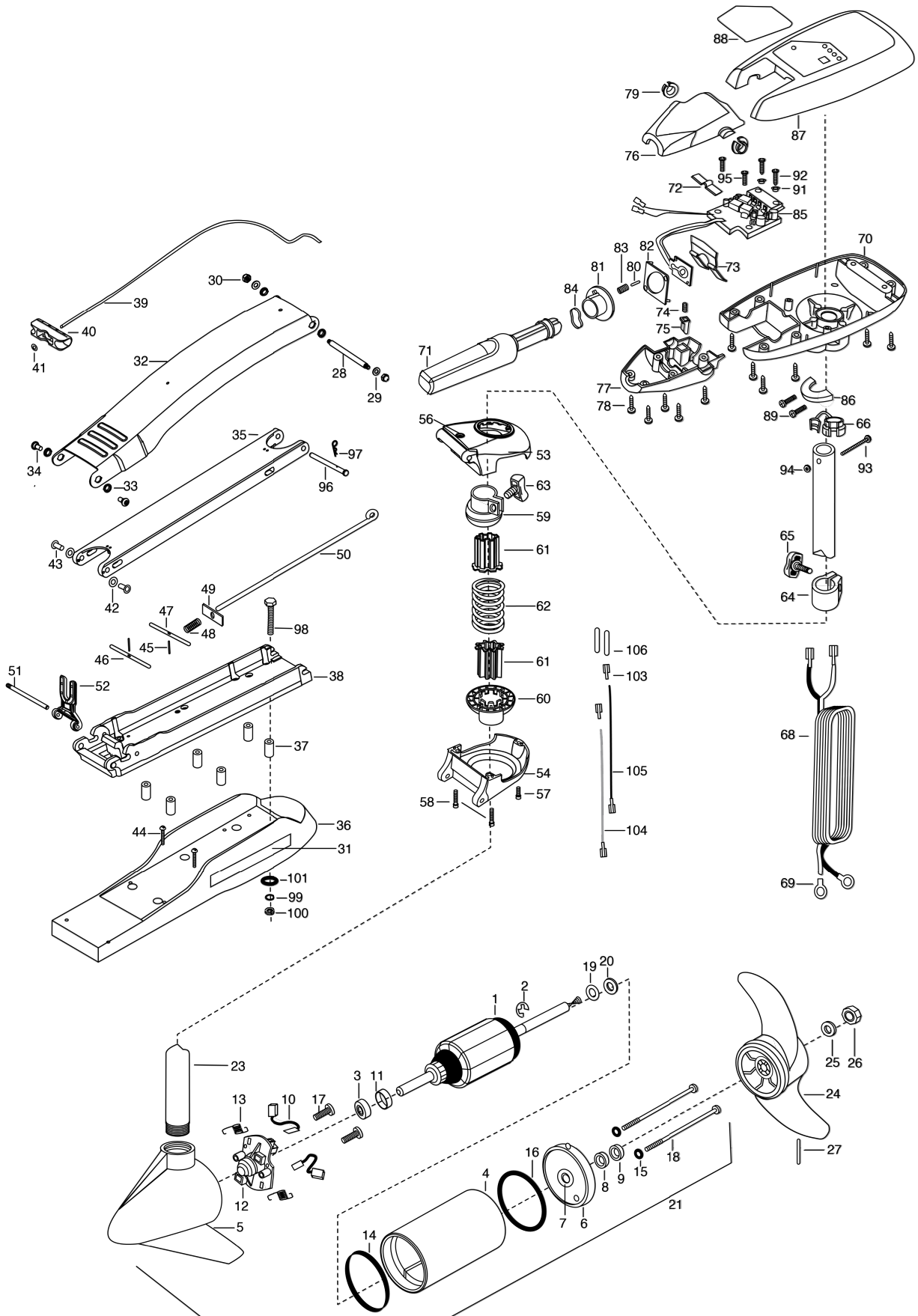
MAXXUM 65 SC - 52 & 62 INCHES

(ANCIEN MODÈLE)

1	92-100-009	ARMATURE ASSEMBLY	46	2152700	SPRING- LOCKBAR CAD.PLTD	94	2233100	NUT- SWITCH MOUNT [2.EA]
2	788-015	RETAINING RING	47	2262703	EYE SHAF- 2" MAXXUM	95	2260160	KNOB- SPEED CONTROL (VAR)
3	140-010	BALL BEARING	48	2153604	HINGE-PIN HEADLESS ZINC	96	2263000	E-RING THU-ARC
4	431-005	CENTER HOUSING ASSEMBLY	49	2260506	YOKE- MAXXUM MOUNT,POLYPROPYLENE	97	2266413	TENSION SCREW PLATE FTPEDAL
5	9421-166	HOUSING BRUSH END 3.62 SONAR 52"	50	2293811	TUBE W/BEARING RACE ASSEMBLY 52"	*98	2260511	PIN- PIVOT AT FT.PDL
6	4201-065	PLAIN END HOUSING ASSEMBLY	51	2772014	TUBE W/BEARING RACE ASSEMBLY 62"	99	2274550	FT PEDAL BASE/PIN ASSEMBLY
7	144-049	BEARING - FLANGE (SERVICE CENTER ONLY)	52	2272067	TUBE OUTER-24" 4 HOLES 48"-52"	100	2262301	PULLEY- FOOT PEDAL
8	880-003	**SEAL	53	2272068	TUBE OUTER-34" 4 HOLES 62"	101	2223430	SCREW- #8X3/4 PPH TYPE 25 SS [4.EA]
9	800-006	**SEAL WITH SHIELD	54	2266260	BEARING RACE	102	2266400	COVER- PULLEY
10	188-036	BRUSH ASSEMBLY [2.EA]	55	2266220	BEARING RACE- STEEL	103	2301310	SCREW- 8-18 X 1/2 [4.EA]
11	725-050	BRUSH RETENTION- PAPER TUBE	56	2991869	BOWGUARD ASSEMBLY- FT CTRL-FW 52"	104	2264008	CONTROL BOARD ASSEMBLY 24V MAX65FC
12	738-036	BRUSH PLATE W/HOLDER	57	2991867	BOWGUARD ASSEMBLY- FT CTRL-FW 62"	105	2365107	INSULATING PAD (2.3X3.2)
13	975-040	SPRING - TORSION [2.EA]	58	2772315	BRACKET BASE TOP/INSERT ASSEMBLY	108	2264018	HEAT SINK- MACH, MAX FTL
14	337-036	**GASKET	59	2991999	BRKT BOTTOM/BEARING FW ASSEMBLY 52"	110	2263447	SCREW- 8-32 X 1" [2.EA]
15	701-008	**O-RING, THRU-BOLT [2.EA]	60	2991993	BRKT BOTTOM/BEARING FW ASSEMBLY 62"	111	2211400	EXTENSION CABLE- SONAR ONLY
16	701-081	**O-RING	61	2772352	EYELET-ROPE KIT	112	2261219	WIRE HARNESS AT & MAX
17	830-007	SCREW-8-32 [2.EA]	62	2263402	SCREW- 1/4-20 X 3/4" ZINC	113	2267500	CABLE ASSEMBLY- RIGHT (5)
18	830-008	THRU-BOLT 10-32X9.2 [2.EA]	63	2263404	SCREW-1/4-20 X 2 1/4 SCHP SS [2.EA]	114	2267510	CABLE ASSEMBLY- LEFT (5)
19	990-067	WASHER- STEEL THRUST	64	2261525	SPRING SLEEVE- UPPER	115	2265430	CABLE JACKET (5)
20	990-070	WASHER- NYLATRON [2.EA]	65	2261535	SPRING SLEEVE- LOWER	116	2265110	BOOT- CONTROL BOX
21	2108031	MOTOR ASSEMBLY 24V FW 52" SONAR	66	2262712	SPRING- BOWGUARD, FC PAINTED	117	2265115	BOOT- FOOT PEDAL BASE
22	2098030	MOTOR ASSEMBLY 24V FW 62"	67	2011365	SCREW- COLLARNEW KNOB	118	2372100	SCREW- 8-18X5/8 THD [2.EA]
23	2032067	TUBE-COMPOSITE 52" W/CSK HOLE	68	2263431	BAG ASSEMBLY- MAXXUM	119	2261714	WASHER- MAXXUM FT PDL [2.EA]
24	2032066	TUBE-COMPOSITE 62" W/CSK HOLE	69	2261703	SCREW- 1/4-20 X 3.5 PPH [6.EA]	120	2261901	BRACKET- CONDUIT
25	2032064	TUBE-COMPOSITE 48" W/CSK HOLE	70	2263103	WASHER- 1/4 FLAT S/S [6.EA]	121	2263210	BRACKET- CONDUIT ADJUST
26	1378122	PROPELLER KIT	71	2261103	NUT- 1/4-20 NYLOCK-JAM SS [6.EA]	122	2262720	SPRING- CONDUIT ADJUST
27	2091150	PROPELLER W/WEDGE	72	2994832	BAG ASSEMBLY- MAX101 62"	123	2266366	LEADWIRE- AT VARIABLE
28	2151726	WASHER-5/16 SS	73	2266000	BEARING BALL- STEEL [2.EA]	124	2261227	TERMINAL RING- 3/8" [2.EA]
29	2053101	NUT-PROP NYLON	74	2266115	BEARING CONE	126	2020700	TIE WRAP- 5.5" BLACK
30	2092600	PIN-DRIVE	75	2261622	COLLAR HALF- ALUM. [2.EA]	127	2266300	CLAMP WIRE HARNESS MICRO [2.EA]
31	2262605	PIN- BWGRD UPPER THREADED ZP	76	2263453	SCREW- 1/4-20X3/4 [2.EA]	128	2263210	SCREW- 6-20X3/8 THD (SS)
32	2261722	WASHER- FLAT [2.EA]	77	22620283	CONTROL BOX COVER- MAXXUM	129	2260316	CONNECTING WIRE (VAR.SPJ)
33	2223100	NUT- TENSION 5/16-18 SS [2.EA]	78	2372100	SCREW- 8-18 X 5/8 THD [4.EA]	130	2260312	WIRE- BLK W/WHT STRP 19 -1/4"
34	2771864	MOUNT- BOW ASSEMBLY, LONG FW MAX	79	2265620	DECAL- COVER MAX65FC	131	2260323	WIRE- BLK W/GRN STP VARIABLE
35	2264246	MOUNT- BOW ASSEMBLY, LONG FW MAX 62"	80	2265900	DECAL- INDICATOR	132	2254031	SWITCH- MOM/OFF/CON
36	2293501	BUSHING- STAINLESS STEEL [4.EA]	81	2053414	SCREW- 8-32 X 1/2 TRI-LOBE [3. EA]	133	2266412	SWITCH PLATE- FT PEDAL
37	2263500	BOLT-SHOULDER MAXXUM [2.EA]	82	2301310	GEAR- INDICATOR	134	2266412	SCREW- 6-20X3/8 THD SS [2.EA]
38	2774317	ARM-LOWER ASSEMBLY, LONG, FW, EXTRA [INCLUDES 39, 43-47, 86,87]	83	2355410	SHRINK TUBE- 3/8 OD X 2" [2.EA]	135	2332103	TIE WRAP- 5.5" WHITE [2.EA]
39	2263913	MOTOR REST LONG FW	84	2232360	PULLEY-CABLE DRUM	136	2266301	BOTTOM PLATE- MAXXUM FT
40	2265514	DECAL- MAXXUM MOTOR REST [2.EA]	85	2261730	WASHER- NYLON AT CON	137	2274510	SCREW- 8 X 1/2" (SS) [5.EA]
41	2261505	SPACER- MOTOR REST [6.EA]	86	2996246	TOP BEARING RACE /PINION DRIVE	138	2272100	SCREW- #12-14X1/2 THR FRM [4.EA]
42	2773986	BOWPLATE- W/INSERT	87	2263410	SCREW- 8-32 X 5/16 [2.EA]	139	2266345	BUMPER PAD- FOOT PEDAL [4.EA]
43	2251601	ROPE (40"), MAXXUM MOUNT	88	2262807	PIN- CLEVIS ZP MAXXUM BWGRD	140	2265126	DECAL- ON/OFF SWITCH
44	2261708	WASHER- 3/8X1/2X.010 SS [2.EA]	89	2260801	PULL- GRIP	141	2266610	CONTROL BOX- PLASTIC
45	2236000	BEARING NYLONER [2.EA]	90	2150400	WASHER- EYE SHAFT(1.562 OD)	142	2262595	GEAR- INDICATOR [2.EA]
46	2263434	SCREW, 8-18X1" PPH [2.EA]	91	2151700	FOOT PEDAL/PLUG ASSEMBLY	143	2267800	INDICATOR- DRIVE
47	2263600	LOCK BAR- BOW MOUNT	92	2790002	PUSH-BUTTON FOOT PEDAL	144	2262220	BRACKET/INDICATOR
48	2233602	LOCK BAR REAR - ZINC	93	2302732	SPRING- LOWER PEDAL	145	2261905	SCREW- 8-18X1/2"
49				2264023	SWITCH- SEALED ASSEMBLY	146	2301310	LIGHT/INDICATOR
50				2262114	SCREW- MOUNTING/SWITCH [2.EA]	147	2264015	CONNECTOR BUTT [2.EA]
51						148	2030710	WIRE EXTENSION 18" RED
52						149	2030317	WIRE EXTENSION 18" BLACK
53						150	2030316	SHRINK TUBE 1/4ODX1-3/4 [2.EA]
54						151	2375400	

**Seal & Oring Kit P/N 2888460 * This item is part of an assembly. This item cannot be sold separately due to machining and /or assembly that is required.

MAXXUM 65 HAND CONTROL
(ANCIEN MODÈLE)





MINN KOTA®

MAXXUM 65 HAND CONTROL

(ANCIEN MODÈLE)

1	92-100-009	ARMATURE ASSEMBLY	36	2263912	MOTOR REST MAXXUM	73	2302743	SPRING-DETENT (HANDLE-TILT)
2	788-015	RETAINING RING	37	2261505	SPACER, MOTOR REST [6.EA]	74	2302745	SPRING-RELEASE BUTTON
3	140-010	BALL BEARING	38	2773987	BOWPLATE W/INSERT	75	2303720	RELEASE BUTTON-HANDLE
4	431-005	CENTER HOUSING ASSEMBLY	39	2251601	ROPE (40"), MAXXUM MOUNT	76	2060409	HANDLE (TOP HALF)
5	421-065	HOUSING BRUSH END 3.62 TXT	40	2150400	PULL-GRIP	77	2060415	HANDLE (LOWER HALF)
6	2-400-101	PLAIN END HOUSING ASSEMBLY	41	2151700	WASHER-EYE SHAFT (.562 OD)	78	2303412	SCREW-6-20 X 5/8 SELF TAP [11.EA]
7	144-049	BEARING - FLANGE (SERVICE ONLY)	42	2261708	WASHER-3/8X1/2X.010 [2.EA]	79	2060005	BEARING-HANDLE PIVOT [2.EA]
8	880-003	**SEAL	43	2236000	BEARING NYLINER- [2.EA]	80	2302600	PIN-ACTUATOR
9	880-006	**SEAL WITH SHIELD	44	2263434	SCREW, 8-18 X 1 PPH SS [2.EA]	81	2302850	ACTUATOR-CAM
10	188-036	BRUSH ASSEMBLY [2.EA]	45	2152610	SPRING-PIN (LOCKEAR) [2.EA]	82	2302851	ACTUATOR-FWD/REV
11	725-050	BRUSH RETENTION- PAPER TUBE	46	2233600	LOCK BAR- (BOW MOUNT)	83	2302740	SPRING- (ACTUATOR)
12	738-036	BRUSH PLATE W/HOLDER	47	2233602	LOCK BAR, REAR - ZINC	84	2302741	SPRING-CAM (ZNC PLTH STEEL)
13	975-040	SPRING - TORSION [2.EA]	48	2152700	SPRING-(LOCKBAR) CAD,PLTD	85	2194006	CTRL BOARD ASSEMBLY MAX65/HC
14	337-036	**GASKET	49	2262703	SPRING STOP MAXXUM	86	2061515	COLLAR-CTRL BOX (FRS-WTR)
15	701-008	**O-RING, THRU-BOLT [2.EA]	50	2153602	EYE SHAFT-2LOCKBAR STD PLTD	87	2260290	CTRL BOX CVR- BLACK
16	701-081	**O-RING	51	2260506	HINGE-PIN (HEADLESS) ZINC	88	2185605	DECAL-COVER (MAX65/HC)
17	830-007	SCREW-8-32 [2.EA]	52	2293811	YOKE,MAX MNT-POLYPROPYLENE	89	2223430	SCREW- #8X3/4 PPH TYPE 25 SS [2.EA]
18	830-008	THRU-BOLT 10-32X9.2 [2.EA]	■	2991866	BOWGUARD ASSEMBLY-HAND CTRL	91	2301710	WASHER-INSUL.(TRANSF.BAR) [2.EA]
19	990-067	WASHER- STEEL THROST	53	2772315	BRKT BASE TO/EYELET ASSEMBLY	92	2372100	SCREW-8-18 X 5/8 THD [2.EA]
20	990-070	WASHER - NYLATRON [2.EA]	54	2991993	BRKT BTM/BEARING FW ASEMBLY	93	2383407	SCREW-10-24 X 2 PPH ZINC
21	2098031	MOTOR ASSMBLY 24V 3.625 VARS 65#	56	2772352	EYELET- KIT	94	2383124	NUT-10-24 NYLOCK
23	2032068	TUBE COMPOSITE 52"	57	2263402	SCREW 1/4-20 X 3/4(ZINC)	95	2301310	SCREW-8-18 X 1/2 [2.EA]
■	1378122	PROPELLER KIT	58	2263404	SCREW-1/4-20 X 2 1/4 [2.EA]	96	2262607	PIN-CLEVIS ZP MAXXUM BG
24	2091150	PROPELLER W/WEDGE	59	2261525	SPRING-SLEEVE UPPER	97	2260801	CLIP- SPRING ZP MAX BG
25	2151726	WASHER- 5/16 SS	60	2261535	SPRING SLEEVE, LOWER	■	2994830	BAG ASSEMBLY-MAXXUM INCL. 98-101
26	2053101	NUT-PROP NYLOC	61	2264702	INSERT-TUBE (2 PER) B.MNT	*98	2263431	SCREW 1/4-20 X 3.5 PPH [6.EA]
27	2092600	PIN-DRIVE (95-4HP'S)	62	2262704	SPRING, BOWGUARD, HAND CT	*99	2261713	WASHER-1/4 FLAT S/S [6.EA]
28	2262605	PIN-BWGRDE UPPER THREADED ZP	63	2011365	SCREW-COLLAR/NEW KNOB	*100	2263103	NUT-1/4-20 NYLOCK-JAM S/S [6.EA]
29	2261722	WASHER- FLAT [2.EA]	64	2031520	COLLAR-DEPTH (W/O INSERT)	*101	2301720	WASHER-MOUNTING*RUBBER [6.EA]
30	2223100	NUT- TENSION 5/16-18 SS [2.EA]	65	2011365	SCREW-COLLAR/NEW KNOB	103	2030710	CONNECTOR BUTT- [2.EA]
31	2266514	DECAL- MAXXUM MOTOR REST [2.EA]	66	2052900	STRAIN RELIEF-C.CORD/SP.C	104	2030317	WIRE EXTENSION-18" -RED
■	2771866	MOUNT, BOW ASSEMBLY W/BOWGRD	68	2090600	LEADWIRE (10 GA) RINGS	105	2030316	WIRE EXTENSION-18" -BLACK
32	2264241	ARM-UPPER FW,STD	69	2020700	TERMINAL RING, 3/8 [2.EA]	106	2375400	SHRINK TUBE-1/4OD X 1-3/4 [2.EA]
33	2293501	BUSHING, STAINLESS STEEL [4.EA]	70	2062592	CONTROL BOX,FW, .725 BORE			
34	2263500	BOLT, SHOULDER (MAXXUM) [2.EA]	71	2990914	HANDLE ASSEMBLY W/O U-JOINT			
35	2774307	ARM-LOWER ASSEMBLY, STD, FW,	72	2302742	SPRING-DETENT (OFF)			

**Seal & Oring Kit P/N 2888460

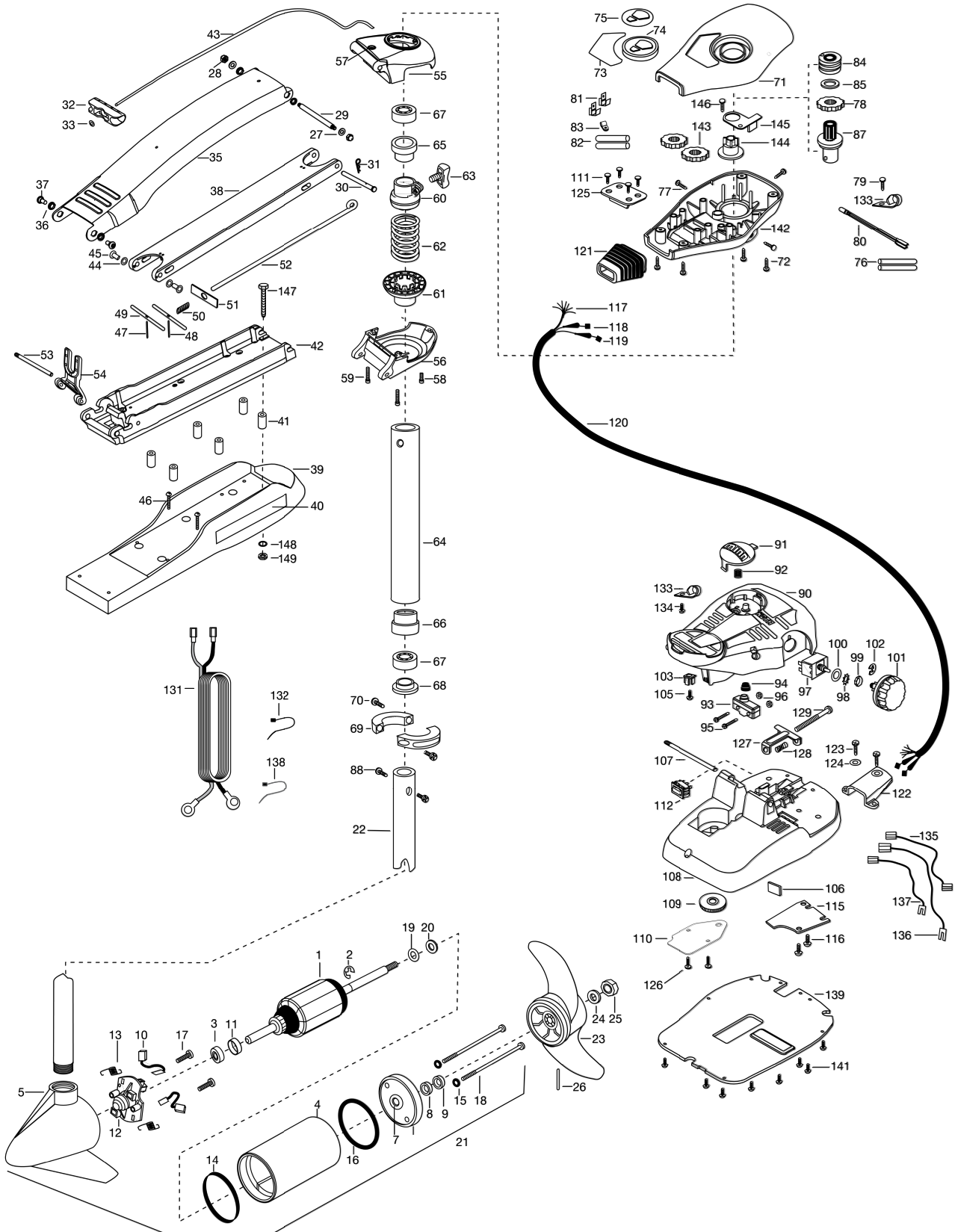
* This item is part of an assembly. This item cannot be sold separately due to machining and /or assembly that is required.



MINN KOTA®

MAXXUM 65 SC - 42 INCHES

(ANCIEN MODÈLE)



MINN KOTA®

W W W . N A V I C O M . F R





MINN KOTA®

MAXXUM 65 SC - 42 INCHES
(ANCIEN MODÈLE)

1	92-100-009	ARMATURE ASSEMBLY 24V 3.625 5SPC 65#	50	2152700	SPRING-LOCKBAR CAD.PLTD	100	2261715	SPACER-SWITCH 5 SP MODELS
2	788-015	RETAINING RING	51	2262703	SPRING STOP	101	2260170	NOB-SPEED CONTROL (5 SPD)
3	140-010	BALL BEARING	52	2153602	EYE SHAFT/2 LOCKBAR STD-PL	102	2263000	E-RING TRU-ARC#5133-43
4	431-005	CENTER HOUSING ASSEMBLY 3.625 FW TXT	53	2260506	HINGE-PIN HEADLESS ZINC	103	2260730	CONNECTOR 1/4 MALE TAB OD
5	2-300-039	BRUSH END HOUSING ASSEMBLY 3.62 SPCO	54	2293811	YOKE,MAX MNT-POLYPROPYLENE	105	2332103	SCREW-6-20 X 3/8" THD SS
6	2-400-101	PLAIN END HOUSING ASSEMBLY	55	2991869	BOWGUARD ASSEMBLY	106	2266413	TENSION SCREW PLATE FT PED
7	144-049	BEARING - FLANGE (SERVICE ONLY)	56	2723215	BRACKET BASE TOPEYELET ASSEMBLY	107	2260511	PIN-PIVOT AT FT PDL
8	880-003	**SEAL	57	2991999	BRKT BTM/BEARING FW ASSEMBLY	108	2774550	FT PED BASE/PIN ASSEMBLY
9	880-006	**SEAL WITH SHIELD	58	2723352	EYELET KIT	109	2262301	PULLEY- FOOT PEDAL
10	188-036	BRUSH ASSEMBLY [2.EA]	58	2263402	SCREW 1/4-20 X 3/4" ZINC	110	2266401	COVER-PULLEY STAMPING
11	725-050	BRUSH RETENTION- PAPER TUBE	59	2263404	SCREW-1/4-20X2 1/4" SHCP SS [2.EA]	111	2223430	SCREW-#8 X3/4 SS PPH TYPE 25 [4.EA]
12	738-036	BRUSH PLATE W/HOLDER	60	2261525	SPRING-SLEEVE UPPER	112	2254031	SWITCH-MOM/OFF/CON
13	975-040	SPRING - TORSION [2.EA]	61	2261535	SPRING SLEEVE, LOWER	115	2266412	SWITCH PLATE, FT PEDAL
14	337-036	**GASKET	62	2262706	SPRING, BOWGUARD, NIK PL	116	2332103	SCREW-6-20 X 3/8 THD SS [2.EA]
15	701-008	**O-RING, THRU-BOLT [2.EA]	63	2011365	SCREW- COLLAR/NEW NOB	117	2261208	WIRE HARNESS, AT FT. PHD
16	701-081	**O-RING	63	2722012	TUBE W/BEARING RACE ASSEMBLY	118	2267500	CABLE ASSY-RIGHT (5)
17	830-007	SCREW-8-32 [2.EA]	64	2272069	TUBE OUTER-21" 4 HOLES	119	2267510	CABLE ASSY-LEFT (5)
18	830-008	THRU-BOLT 10-32X9.2" [2.EA]	65	2266260	BEARING RACE	120	2265430	CABLE JACKET (5)
19	990-067	WASHER- STEEL THRUST	66	2266220	BEARING RACE-STEEL	121	2265110	BOOT-CONTROL BOX
20	990-070	WASHER - NYLATRON [2.EA]	67	2266000	BEARING BALL-STEEL [2.EA]	122	2265115	BOOT-FOOT PEDAL BASE
21	2098034	MOTOR ASSEMBLY 24V 3.625 5SPC FW 65#	68	2266115	BEARING CONE	123	2372100	SCREW-8-18 X 5/8 THD SS [2.EA]
22	2032061	TUBE (COMP) W/CSK HOLE-43 3/4"	69	2771617	COLLAR HALF-ZINC- 2 PER KIT	124	2261714	WASHER-MAXXUM FT PDL [2.EA]
23	1378122	PROP KIT	70	2263452	SCREW-1/4-20 X 3/4" SHCS [2.EA]	125	2261901	BRACKET-CONDUIT
24	2091150	PROPELLER (W/WEDGE)	71	2260283	CONTROL BOX COVER -MAXXUM	126	2301310	SCREW-8-18 X 1/2 SS [2.EA]
25	2151726	NUT-5/16 STD SS	72	2372100	SCREW-8-18 X 5/8" THD SS [4.EA]	127	2263210	BRACKET-CONDUIT ADJUSTMEN
26	2053101	NUT-PROP/NYLOC (MED) 5/16 SS	73	2265629	DECAL-COVER MAX65/SC	128	2262720	SPRING-CONDUIT AD
27	2092600	PIN-DRIVE (95-4HP'S) SS	74	2260150	POINTER DISC SHORT RED	129	2263463	SCREW-1/4-20 X 2" STL PPH
28	2261722	WASHER FLAT [2.EA]	75	2265800	DECAL-INDICATOR	131	2261225	LEADWIRE 24V 10GA. RING
29	2223100	NUT- TENSION 5/16-18 SS [2.EA]	76	2375400	SHRINK TUBE-1/40D X 1-3/4" [2.EA]	132	2266300	TIE WRAP-5.5" BLACK
30	2262605	PIN- BWGRD UPPER THREADED	77	2053414	SCREW-#8-32 X 1/2" TRI-LOBE [3.EA]	133	2263201	CLAMP WIRE HARNESS MICRO [2.EA]
31	2262607	CLEVIS PIN ZP MAXXUM BWGRD	78	2267800	GEAR-INDICATOR	134	2332103	SCREW-6-20 X 3/8 THDT SS
32	2150400	PULL-GRIP	79	2301310	SCREW-8-18 X 1/2" SS	135	2260301	CONNECTING WIRE (SWITCH)
33	2151700	WASHER-EYE SHAFT,(562 OD)	80	2264019	LIGHT/INDICATOR MAX65/SC	136	2260312	WIRE,BLK W/WHIT STRP 19 1/2
34	2771840	MOUNT, BOW ASSEMBLY, FW STD	81	2020713	TERMINAL-ADAPTOR, MAX [2.EA]	137	2260322	WIRE,BLK W/BLUE STRP-12"
35	2264241	ARM-UPPER FW,STD	82	2335400	SHRINK TUBE-1/2 OD X 2" [2.EA]	138	2256801	TIE WRAP-5.5" WHITE
36	2293501	BUSHING, STAINLESS STEEL [4.EA]	83	2052511	CABLE CLAMP, 1/4" VANTAGE	139	2266414	BOTTOM PLATE MAX FOOT PED
37	2263500	BOLT- SHOULDER (MAXXUM) [2.EA]	84	2232360	PULLEY-CABLE DRUM	141	9953104	SCREW-8 X 1/2" SS [8.EA]
38	2994307	ARM-LOWER ASSEMBLY,STD,FW,EXT	85	2261730	WASHER-NYLON AT CON B	142	2262535	CONTROL BOX-PLASTIC
39	2263912	MOTOR REST STD MAXXUM	87	2776203	PIN/INRACE ASSEMBLY	143	2267800	GEAR-INDICATOR [2.EA]
40	2265514	DECAL-MAXXUM/MOTOR REST [2.EA]	88	2263410	SCREW-8-32 X 5/16" ZN PL [2.EA]	144	2262220	INDICATOR-DRIVE
41	2261505	SPACER, MOTOR REST [6.EA]	90	2790002	FOOT PEDAL/PLUG ASSEMBLY (AT)	145	2261905	BRACKET/INDICATOR
42	2773987	BOWPLATE,STD FW-MACH/INSERT	91	2367000	PUSH-BUTTON FOOT PEDAL	146	2301310	SCREW-8-18 X 1/2" SS
43	2251601	ROPE (40"), MAXXUM MOUNT	92	2302732	SPRING-LOWER PEDAL SS	147	2994830	BAG ASSEMBLY-MAXXUM
44	2261708	WASHER-3/8X11/2X.010" SS [2.EA]	93	2264020	SWITCH MOMENTARY	*147	2263431	SCREW 1/4-20 X 3.5" PPH [6.EA]
45	2236000	BEARING NYLINER [2.EA]	94	2265140	BOOT-MICROSWITCH	*148	2261713	WASHER-1/4 FLAT SS [6.EA]
46	2263434	SCREW, 8-18 X 1" PPH SS [2.EA]	95	2262114	SCREW-MOUNTING/SWITCH [2.EA]	*149	2263103	NUT-1/4-20 NYLOCK-JAM SS [6.EA]
47	2152610	SPRING-PIN LOCKBAR [2.EA]	96	2233100	NUT-SWITCH MOUNT [2.EA]			
48	2233600	LOCK BAR- BOW MOUNT	97	2264026	SWITCH-5 SPEED (ALL TERRAIN)			
49	2233602	LOCK BAR, REAR - ZINC	98	2261701	LOCKWASHER-STAR			
			99	2263105	NUT-HEX			