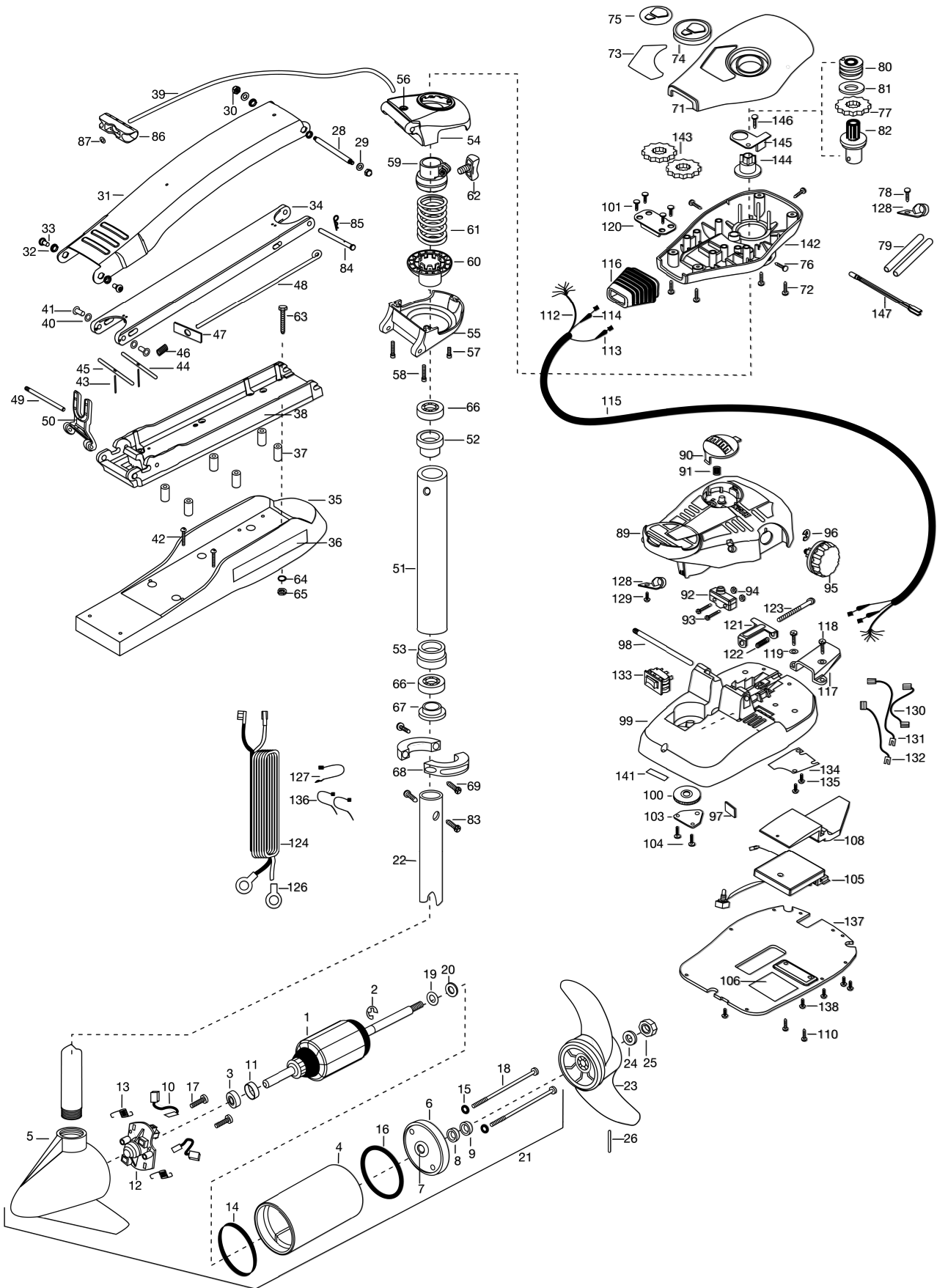


MAXXUM 55 - 42 INCHES (ANCIEN MODÈLE)





MINN KOTA®

MAXXUM 55 - 42 INCHES

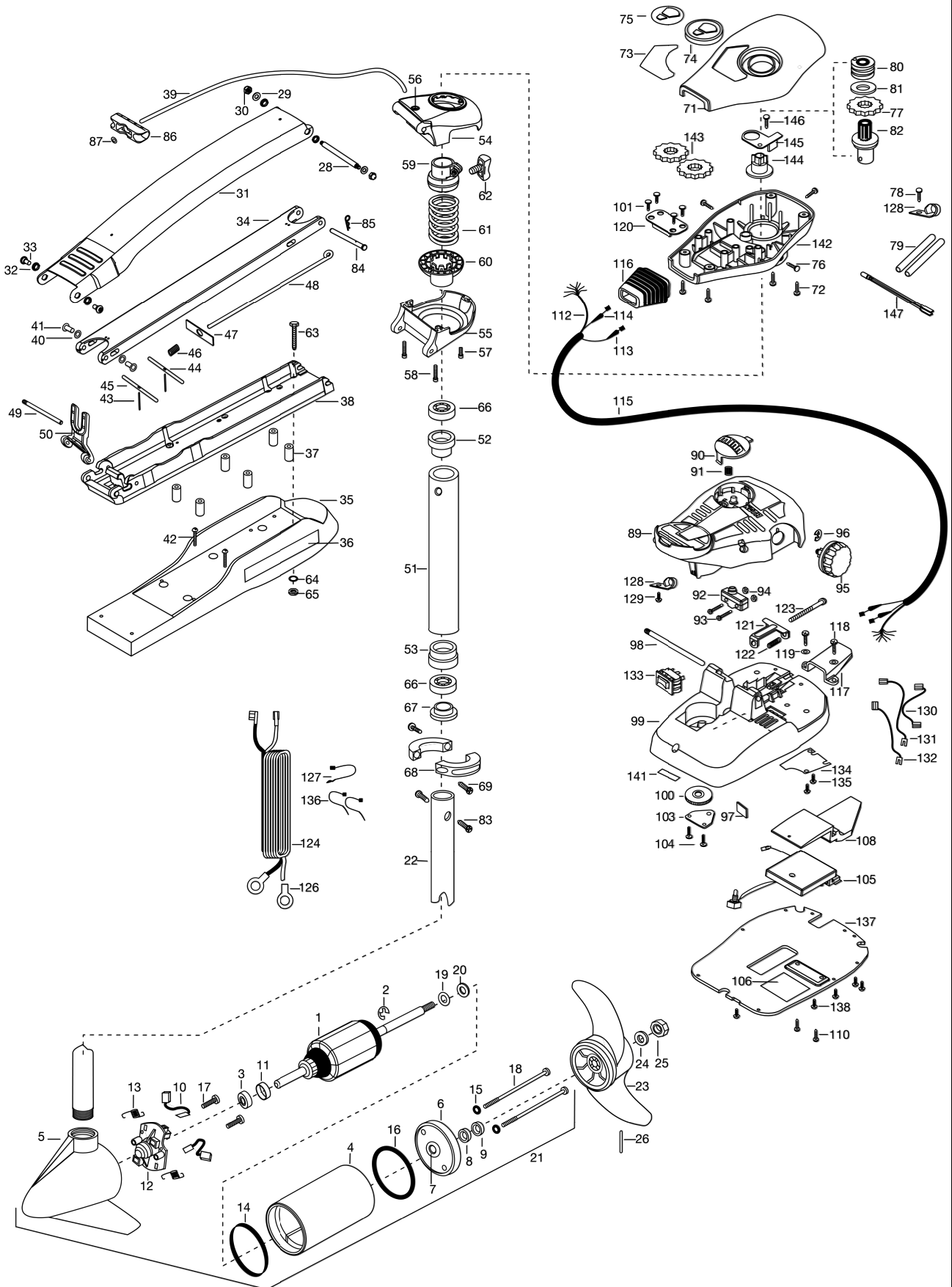
(ANCIEN MODÈLE)

1	92-100-013	ARMATURE ASSEMBLY 12V 3.62 FW SW	47	2262703	SPRING STOP- MAXXUM	94	2233100	NUT- SWITCH MOUNT [2.EA]
2	788-015	RETAINING RING	48	2153602	EYE SHAFT- 2LOCKBAR STD	95	2260160	KNOB- SPEED CONTROL (VAR)
3	140-010	BALL BEARING	49	2260506	HINGE-PIN HEADLESS ZINC	96	2263000	E-RING THU-ARC
4	431-101	CENTER HOUSING ASSEMBLY 3.62 FW TXT	50	2293811	YOKE- MAXXUM MOUNT,POLYPROPYLENE	97	2266413	TENSION SCREW PLATE FT PEDAL
5	421-065	HOUSING BRUSH END 3.62 TXT	51	2272012	TUBE W/BEARING RACE ASSEMBLY	*98	2260511	PIN- PIVOT AT FT PDL
6	2-400-101	PLAIN END HOUSING ASSEMBLY	51	2272069	TUBE OUTER-21" 4 HOLES	99	2292102	FT PEDAL BASE/PIN ASSEMBLY
7	144-049	BEARING - FLANGE (SERVICE CENTER ONLY)	52	2266260	BEARING RACE	100	2262301	PULLEY- FOOT PEDAL
8	880-003	**SEAL	52	2266220	BEARING RACE- STEEL	101	2223430	SCREW- #8X3/4 PPH TYPE 25 SS [4.EA]
9	880-006	**SEAL WITH SHIELD	53	2266220	BEARING RACE- STEEL	101	2223430	COVER- PULLEY
10	188-036	BRUSH ASSEMBLY [2.EA]	54	2291869	BOWGUARD ASSEMBLY- FT CTRL,FW	103	2266400	SCREW- 8-18 X 1/2 [4.EA]
11	725-050	BRUSH RETENTION- PAPER TUBE	54	2272315	BRACKET BASE TO/EYELET ASSEMBLY	104	2301310	SCREW- 8-18 X 1/2 [4.EA]
12	738-036	BRUSH PLATE W/HOLDER	*55	2291999	BRKT BOTTOM/BEARING FW ASSEMBLY	105	2264006	CONTROL BOARD ASSEMBLY 12V MAX44
13	975-040	SPRING - TORSION [2.EA]	56	2272352	EYELET- KIT	106	2365107	INSULATING PAD (2.3X3.2)
14	337-036	**GASKET	57	2263402	SCREW- 1/4-20 X 3/4" ZINC	108	2264018	HEAT SINK- MACH, MAX FTL
15	701-008	**O-RING, THRU-BOLT [2.EA]	58	2263404	SCREW- 1/4-20 X 2 1/4 SCHK SS [2.EA]	110	2263447	SCREW- 8-32 X 1" [2.EA]
16	701-081	**O-RING	59	2261525	SPRING SLEEVE- UPPER	112	2268119	WIRE HARNESS AT & MAX
17	830-007	SCREW-8-32 [2.EA]	60	2261535	SPRING SLEEVE- LOWER	113	2267500	CABLE ASSEMBLY- RIGHT (5')
18	830-042	THRU-BOLT 10-32X8.83 [2.EA]	61	2262706	SPRING- BOWGUARD, NIK PL	114	2267510	CABLE ASSEMBLY- LEFT (5')
19	990-067	WASHER- STEEL THRUST	62	2011365	SCREW- COLLAR/NEW KNOB	115	2265430	CABLE JACKET (5')
20	990-070	WASHER- NYLATRON [2.EA]	62	2011365	BAG ASSEMBLY- MAXXUM	116	2265110	BOOT- CONTROL BOX
21	2099094	MOTOR ASSEMBLY 12V FW VARS 55#	*63	2263431	SCREW- 1/4-20 X 3.5 PPH [6.EA]	117	2265115	BOOT- FOOT PEDAL BASE
22	2032061	TUBE- COMPOSITE W/CSK HOLE 43-3/4	*64	2261713	WASHER- 1/4 FLAT S/S [6.EA]	118	2372100	SCREW- 8-18X5/8 THD [2.EA]
23	1378122	PROPELLER KIT	*65	2263103	NUT- 1/4-20 NYLOCK-JAM SS [6.EA]	119	2261714	WASHER- MAXXUM FT PDL [2.EA]
24	2151726	WASHER-5/16 SS	66	2266000	BEARING BALL- STEEL [2.EA]	120	2261901	BRACKET- CONDUIT
25	2053101	NUT-PROP NYLOC	67	2266115	BEARING CONE	121	2263210	BRACKET- CONDUIT ADJUST
26	2092600	PIN-DRIVE	*68	2261619	COLLAR HALF- ZINC [2.EA]	122	2262720	SPRING- CONDUIT ADJUST
28	2262605	PIN- BWGRD UPPER THREADED ZP	*69	2263452	SCREW- 1/4-20X3/4 [2.EA]	123	2263463	SCREW- 1/4-20X2" STL PPH
29	2261722	WASHER- FLAT [2.EA]	71	2260283	CONTROL BOX COVER- MAXXUM	124	2261227	LEADWIRE- AT VARIABLE
30	2223100	NUT- TENSION 5/16-18 SS [2.EA]	72	2372100	SCREW- 8-18 X 5/8 THD [4.EA]	126	2020700	TERMINAL RING- 3/8" [2.EA]
31	2264241	ARM-UPPER STD FW	73	2265656	DECAL- COVER MAX 55/FC	127	2266300	TIE WRAP- 5.5" BLACK
32	2293501	BUSHING- STAINLESS STEEL [4.EA]	74	2260580	DECAL- INDICATOR	128	2263201	CLAMP WIRE HARNESS MICRO [2.EA]
33	2263500	BOLT- SHOULDER MAXXUM [2.EA]	75	2265800	SCREW- 8-32 X 1/2 TRI-LOBE [3.EA]	129	2332103	SCREW- 6-20X3/8 THD (SS)
34	2994307	ARM-LOWER ASSEMBLY,STD,FW,EXTRA [INCLUDES 39, 43-47, 86,87]	76	2053414	GEAR- INDICATOR	130	2260316	CONNECTING WIRE (VAR,SPD)
35	2263912	MOTOR REST (STD) FW	77	2267800	SCREW- 8-18 X 1/2	131	2260312	WIRE- BLK W/GRN STP VARIABLE
36	2265514	DECAL- MAXXUM MOTOR REST [2.EA]	78	2301310	SCREW- 8-18 X 1/2	132	2260323	SWITCH- MOM/OFF/CON
37	2261505	SPACER- MOTOR REST [6.EA]	79	2355410	SHRINK TUBE- 3/8 OD X 2" [2.EA]	133	2254031	SWITCH PLATE- FT PEDAL
38	2773987	BOWPLATE- W/INSERT	80	2232360	PULLEY- CABLE DRUM	134	2266412	SWITCH PLATE- 5.5" WHITE [2.EA]
39	2251601	ROPE (40"), MAXXUM MOUNT	81	2261730	WASHER- NYLON AT CON	135	2332103	TIE WRAP- 5.5" WHITE [2.EA]
40	2261708	WASHER- 3/8X1/2X.010 SS [2.EA]	82	2296246	TOP BEARING RACE /PINION DRIVE	136	2266301	BOTTOM PLATE- MAX FOOT PEDAL
41	2236000	BEARING NYLINER [2.EA]	83	2263410	SCREW- 8-32 X 5/16 [2.EA]	137	2266414	SCREW-8 X 1/2" (SS) [5.EA]
42	2263434	SCREW, 8-18X1" PPH [2.EA]	84	2262607	PIN- CLEVIS ZP MAXXUM BWGRD	138	9953104	DECAL- ON/OFF SWITCH
43	2152610	SPRING- PIN LOCKBAR [2.EA]	85	2260801	CLIP- SPRING ZP MAX BG	141	2266610	CONTROL BOX- PLASTIC
44	2233600	LOCK BAR- BOW MOUNT	86	2150400	PULL- GRIP	142	2262535	GEAR- INDICATOR [2.EA]
45	2233602	LOCK BAR REAR - ZINC	87	2151700	WASHER- EYE SHAFT (.562 OD)	143	2262800	INDICATOR- DRIVE
46	2152700	SPRING- LOCKBAR CAD,PLTD	89	2290002	FOOT PEDAL/PLUG ASSEMBLY	144	2262220	BRACKET/INDICATOR
			90	2263700	PUSH- BUTTON FOOT PEDAL	145	2261905	SCREW- 8-18X1/2"
			91	2302732	SPRING- LOWER PEDAL	146	2301310	LIGHT/INDICATOR
			92	2264023	SWITCH- SEALED ASSEMBLY	147	2264015	
			93	2262114	SCREW- MOUNTING/SWITCH [2.EA]			

* This item is part of an assembly. This item cannot be sold separately due to machining and/or assembly that is required.

**Seal & O-ring Kit P/N 2888460

MAXXUM 55 - 52 INCHES (ANCIEN MODÈLE)





MINN KOTA®

MAXXUM 55 - 52 INCHES

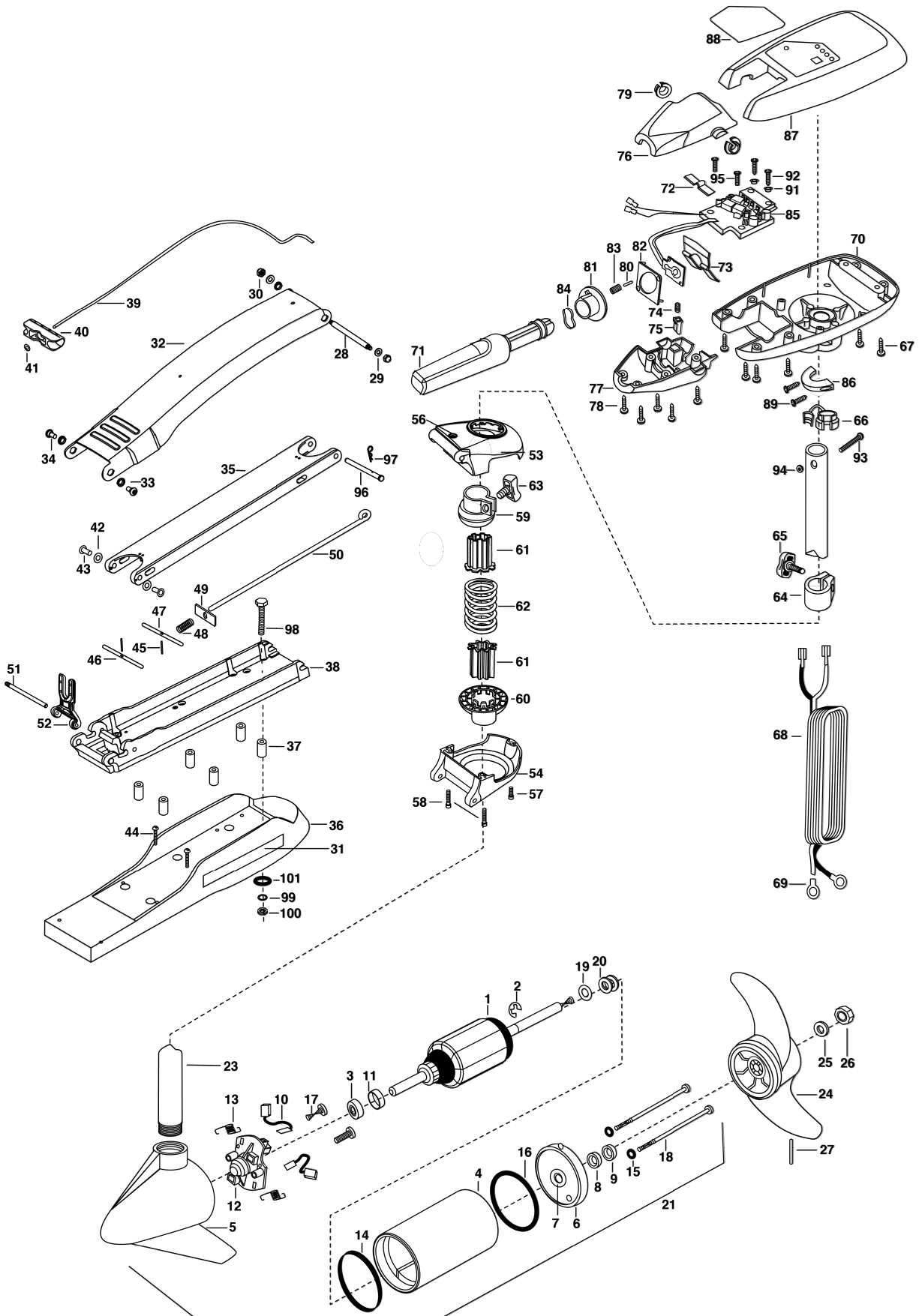
(ANCIEN MODÈLE)

1	92-100-013	ARMATURE ASSEMBLY 12V 3.62 FW SW	47	2262703	SPRING STOP- MAXXUM	94	2233100	NUT- SWITCH MOUNT [2.EA]
2	788-015	RETAINING RING	48	2153604	EYE SHAFT- 2LOCKBAR LNG	95	2260160	KNOB- SPEED CONTROL (VAR)
3	140-010	BALL BEARING	49	2260506	HINGE-PIN HEADLESS ZINC	96	2263000	E-RING THU-ARC
4	2-200-101	CENTER HOUSING ASSEMBLY 3.62 TXT MAG	50	2293811	YOKE- MAXXUM MOUNT,POLYPROPYLENE	97	2266413	TENSION SCREW PLATE FTPEDAL
5	421-065	HOUSING BRUSH END 3.62 TXT	51	2272016	TUBE W/BEARING RACE ASSEMBLY	*98	2260511	PIN- PIVOT AT FT PDL
6	2-400-101	PLAIN END HOUSING ASSEMBLY	51	2272067	TUBE OUTER-24" 4 HOLES	99	2292102	FT PEDAL BASE/PIN ASSEMBLY
7	144-049	BEARING - FLANGE (SERVICE CENTER ONLY)	52	2266260	BEARING RACE	100	2262301	PULLEY- FOOT PEDAL
8	880-003	**SEAL	52	2266220	BEARING RACE- STEEL	101	2223430	SCREW- #8X3/4 PPH TYPE 25 SS [4.EA]
9	880-006	**SEAL WITH SHIELD	53	2266220	BEARING RACE- STEEL	101	2223430	COVER- PULLEY
10	188-036	BRUSH ASSEMBLY [2.EA]	54	2272315	BOWGUARD ASSEMBLY- FT CTRL,FW	103	2266400	SCREW- 8-18 X 1/2 [4.EA]
11	725-050	BRUSH RETENTION- PAPER TUBE	*55	2291999	BRACKET BASE TO/EYELET ASSEMBLY	104	2301310	SCREW- 8-18 X 1/2 [4.EA]
12	738-036	BRUSH PLATE W/HOLDER	56	2272352	BRKT BOTTOM/BEARING FW ASSEMBLY	105	2264006	CONTROL BOARD ASSEMBLY 12V MAX44
13	975-040	SPRING - TORSION [2.EA]	57	2263402	EYELET- KIT	106	2365107	INSULATING PAD (2.3X3.2)
14	337-036	**GASKET	58	2263404	SCREW- 1/4-20 X 2 1/4 SCLP SS [2.EA]	108	2264018	HEAT SINK- MACH, MAX FTL
15	701-008	**O-RING, THRU-BOLT [2.EA]	59	2261525	SPRING SLEEVE- UPPER	110	2263447	SCREW- 8-32 X 1" [2.EA]
16	701-081	**O-RING	60	2261535	SPRING SLEEVE- LOWER	112	2267500	WIRE HARNESS AT & MAX
17	830-007	SCREW- #8-32 [2.EA]	61	2262706	SPRING- BOWGUARD, NIK PL	113	2267500	CABLE ASSEMBLY- RIGHT (5')
18	830-042	THRU-BOLT 10-32X8.83 [2.EA]	62	2011365	SCREW- COLLAR/NEW KNOB	114	2267510	CABLE ASSEMBLY- LEFT (5')
19	990-067	WASHER- STEEL THRUST	62	2011365	SCREW- COLLAR/NEW KNOB	115	2265430	CABLE JACKET (5')
20	990-070	WASHER- NYLATRON [2.EA]	63	2263431	BAG ASSEMBLY- MAXXUM	116	2265110	BOOT- CONTROL BOX
21	209090	MOTOR ASSEMBLY 12V FW VARS 55#	*63	2263431	SCREW- 1/4-20 X 3.5 PPH [6.EA]	117	2265115	BOOT- FOOT PEDAL BASE
22	2032067	TUBE- COMP 52" W/CSK HOLE	*64	2261713	WASHER- 1/4 FLAT S/S [6.EA]	118	2372100	SCREW- 8-18X5/8 THD [2.EA]
23	1378122	PROPELLER KIT	*65	2263103	NUT- 1/4-20 NYLOCK-JAM SS [6.EA]	119	2261714	WASHER- MAXXUM FT PDL [2.EA]
24	2151726	PROPELLER W/WEDGE	66	2266000	BEARING BALL- STEEL [2.EA]	120	2261901	BRACKET- CONDUIT
25	2053101	NUT-PROP NYLOC	*67	2266115	BEARING CONE	121	2263210	BRACKET- CONDUIT ADJUST
26	2092600	PIN-DRIVE	*68	2261619	COLLAR HALF- ZINC [2.EA]	122	2262720	SPRING- CONDUIT ADJUST
28	2262605	PIN- BWGRD UPPER THREADED ZP	*69	2263452	SCREW- 1/4-20X3/4 [2.EA]	123	2263463	SCREW- 1/4-20X2" STL PPH
29	2261722	WASHER- FLAT [2.EA]	71	2260283	CONTROL BOX COVER- MAXXUM	124	2261227	LEADWIRE- AT VARIABLE
30	2223100	NUT- TENSION 5/16-18 SS [2.EA]	72	2372100	SCREW- 8-18 X 5/8 THD [4.EA]	126	2020700	TERMINAL RING- 3/8" [2.EA]
31	2264246	MOUNT- BOW ASSEMBLY, LNG FW MAX	73	2265656	DECAL- COVER MAX 55/FC	127	2266300	TIE WRAP- 5.5" BLACK
32	2293501	ARM-UPPER LNG FW	74	2260150	DECAL- INDICATOR	128	2263210	CLAMP WIRE HARNESS MICRO [2.EA]
33	2263500	BUSHING- STAINLESS STEEL [4.EA]	75	2265800	SCREW- 8-32 X 1/2 TRI-LOBE [3.EA]	129	2332103	SCREW- 6-20X3/8 THD (SS)
34	2994317	BOLT- SHOULDER MAXXUM [2.EA]	76	2053414	GEAR- INDICATOR	130	2260316	CONNECTING WIRE (VAR.SPD)
35	2263913	MOTOR REST LONG MAXXUM	77	2267800	SCREW- 8-18 X 1/2	131	2260312	WIRE- BLK W/GRN STP VARIABLE
36	2265514	DECAL- MAXXUM MOTOR REST [2.EA]	78	2301310	SCREW- 8-18 X 1/2	132	2260323	SWITCH- MOM/OFF/CON
37	2261505	SPACER- MOTOR REST [6.EA]	79	2355410	SHRINK TUBE- 3/8 OD X 2" [2.EA]	133	2254031	SWITCH PLATE- FT PEDAL
38	2773986	BOWPLATE- W/INSERT LG FW TXT	80	2232360	PULLEY- CABLE DRUM	134	2266412	SWITCH PLATE- FT PEDAL
39	2251601	ROPE (40"), MAXXUM MOUNT	81	2261730	WASHER- NYLON AT CON	135	2332103	SCREW- 6-20X3/8 THD SS [2.EA]
40	2261708	WASHER- 3/8X1/2X.010 SS [2.EA]	82	2296246	TOP BEARING RACE /PINION DRIVE	136	2266301	TIE WRAP- 5.5" WHITE [2.EA]
41	2236000	BEARING NYLINER [2.EA]	83	2263410	SCREW- 8-32 X 5/16 [2.EA]	137	2266414	BOTTOM PLATE- MAX FOOT PEDAL
42	2263434	SCREW, 8-18X1" PPH [2.EA]	84	2262607	PIN- CLEVIS ZP MAXXUM BWGRD	138	9953104	SCREW- 8 X 1/2" (SS) [5.EA]
43	2152610	SPRING- PIN LOCKBAR [2.EA]	85	2260801	CLIP- SPRING ZP MAX BG	141	2266610	DECAL- ON/OFF SWITCH
44	2233600	LOCK BAR- BOW MOUNT	86	2150400	PULL- GRIP	142	2262535	CONTROL BOX- PLASTIC
45	2233602	LOCK BAR REAR - ZINC	87	2151700	WASHER- EYE SHAFT (.562 OD)	143	2262800	GEAR- INDICATOR [2.EA]
46	2152700	SPRING- LOCKBAR CAD.PLTD	89	2290002	FOOT PEDAL/PLUG ASSEMBLY	144	2262220	INDICATOR- DRIVE
			90	2263700	PUSH- BUTTON FOOT PEDAL	145	2261905	BRACKET/INDICATOR
			91	2302732	SPRING- LOWER PEDAL	146	2301310	SCREW- 8-18X1/2"
			92	2264023	SWITCH- SEALED ASSEMBLY	147	2264015	LIGHT/INDICATOR
			93	2262114	SCREW- MOUNTING/SWITCH [2.EA]			

* This item is part of an assembly. This item cannot be sold separately due to machining and /or assembly that is required.

**Seal & Oring Kit P/N 2888460

MAXXUM 55 HAND CONTROL (ANCIEN MODÈLE)





MINN KOTA®

MAXXUM 55 HAND CONTROL

(ANCIEN MODÈLE)

1	92-100-013	ARMATURE ASSEMBLY 12V 3.625 FW #55	34	2263500	BOLT, SHOULDER (MAXXUM) [2.EA]	68	2090600	LEADWIRE (10 GA) RINGS
2	788-015	RETAINING RING	35	2774307	ARM-LOWER ASSEMBLY, STD, FW,	69	2020700	TERMINAL RING, 3/8 [2.EA]
3	140-010	BALL BEARING	36	2263912	MOTOR REST MAXXUM	70	2062592	CONTROL BOX,FW, .725 BORE
4	431-101	CENTER HOUSING ASSEMBLY	37	2261505	SPACER, MOTOR REST [6.EA]	71	2990914	HANDLE ASSEMBLY W/O U-JOINT
5	421-065	HOUSING BRUSH END 3.62 TXT	38	2773987	BOWPLATE W/INSERT ASSEMBLY STD FW	72	2302742	SPRING-DETENT (OFF)
6	2-400-101	PLAIN END HOUSING ASSEMBLY	39	2251601	ROPE (40"), MAXXUM MOUNT	73	2302743	SPRING-DETENT (HANDLE-TILT)
7	144-049	BEARING - FLANGE (SERVICE ONLY)	40	2150400	PULL-GRIP	74	2302745	SPRING-RELEASE BUTTON
8	880-003	**SEAL	41	2151700	WASHER-EYE SHAFT (.562 OD)	75	2303720	RELEASE BUTTON-HANDLE
9	880-006	**SEAL WITH SHIELD	42	2261708	WASHER-3/8X1/2X.010 [2.EA]	76	2060409	HANDLE (TOP HALF)
10	188-036	BRUSH ASSEMBLY [2.EA]	43	2236000	BEARING NYLINER- [2.EA]	77	2060415	HANDLE (LOWER HALF)
11	725-050	BRUSH RETENTION- PAPER TUBE	44	2263434	SCREW, 8-18 X 1 PPH SS [2.EA]	78	2303412	SCREW-6-20 X 5/8 SELF TAP [6.EA]
12	738-036	BRUSH PLATE W/HOLDER	45	2152610	SPRING-PIN (LOCKEAR) [2.EA]	79	2060005	BEARING-HANDLE PIVOT [2.EA]
13	975-040	SPRING - TORSION [2.EA]	46	2233600	LOCK BAR- (BOW MOUNT)	80	2302600	PIN-ACTUATOR
14	337-036	**GASKET	47	2233602	LOCK BAR, REAR - ZINC	81	2302850	ACTUATOR-CAM
15	701-008	**O-RING, THRU-BOLT [2.EA]	48	2152700	SPRING-(LOCKBAR) CAD.PLTD	82	2302851	ACTUATOR-FWD/REV
16	701-081	**O-RING	49	2262703	SPRING STOP MAXXUM	83	2302740	SPRING- (ACTUATOR)
17	830-007	SCREW-8-32 [2.EA]	50	2153602	EYE SHAFT-2LOCKBAR STD PLTD	84	2302741	SPRING-CAM (ZNC PLTH STEEL)
18	830-042	THRU-BOLT 10-32X8.83 [2.EA]	51	2260506	HINGE-PIN (HEADLESS) ZINC	85	2334006	CTRL BOARD W/O LEAD 12V
19	990-067	WASHER- STEEL THRUST	52	2293811	YOKE,MAX MNT-POLYPROPYLENE	86	2061515	COLLAR-CTRL BOX (FRS-WTR)
20	990-070	WASHER - NYLATRON [2.EA]	■	2991866	BOWGUARD ASSEMBLY-HAND CTRL	87	2260290	CTRL BOX CVR- BLACK
21	2099094	MOTOR ASSMBLY12V 3.625 VARS 55#	53	2772315	BRKT BASE TO/EYELET ASSEMBLY	88	2265657	DECAL-COVER MAX 55/HC
23	2032058	TUBE COMPOSITE 42"	54	2991993	BRKT BTM/BEARING FW ASEMBLY	89	2223430	SCREW- #8X3/4 PPH TYPE 25 SS [2.EA]
■	1378122	PROPELLER KIT	56	2772352	EYELET- KIT	91	2301710	WASHER-INSUL.(TRANSFBAR) [2.EA]
24	2091150	PROPELLER W/WEDGE	57	2263402	SCREW 1/4-20 X 3/4(ZINC)	92	2372100	SCREW-8-18 X 5/8 THD [2.EA]
25	2151726	WASHER- 5/16 SS	58	2263404	SCREW-1/4-20 X 2 1/4 [2.EA]	93	2383407	SCREW-10-24 X 2 PPH ZINC
26	2053101	NUT-PROP NYLOC	59	2261525	SPRING-SLEEVE UPPER	94	2383124	NUT-10-24 NYLOCK
27	2092600	PIN-DRIVE (95-4HP'S)	60	2261535	SPRING SLEEVE, LOWER	95	2301310	SCREW-8-18 X 1/2 [2.EA]
28	2262605	PIN-BWGRDE UPPER THREADED ZP	61	2264702	INSERT-TUBE (2 PER) B.MNT	96	2262607	PIN-CLEVIS ZP MAXXUM BG
29	2261722	WASHER- FLAT [2.EA]	62	2262704	SPRING, BOWGUARD, HAND CT	97	2260801	CLIP- SPRING ZP MAX BG
30	2223100	NUT- TENSION 5/16-18 SS [2.EA]	63	2011365	SCREW-COLLAR/NEW KNOB	■	2994830	BAG ASSEMBLY-MAXXUM INCL. 98-101
31	2265514	DECAL- MAXXUM MOTOR REST [2.EA]	64	2031520	COLLAR-DEPTH (W/O INSERT)	*98	2263431	SCREW 1/4-20 X 3.5 PPH [6.EA]
■	2771866	MOUNT- BOW ASSEMBLY FW STD W/BG	65	2011365	SCREW-COLLAR/NEW KNOB	*99	2261713	WASHER-1/4 FLAT S/S [6.EA]
32	2264241	ARM-UPPER FW,STD	66	2052900	STRAIN RELIEF-C.CORD/SP.C	*100	2263103	NUT-1/4-20 NYLOCK-JAM S/S [6.EA]
33	2293501	BUSHING, STAINLESS STEEL [4.EA]	67	2303412	SCREW-6-20 X 5/8 SELF TAP [6.EA]	*101	2301720	WASHER-MOUNTING*RUBBER [6.EA]

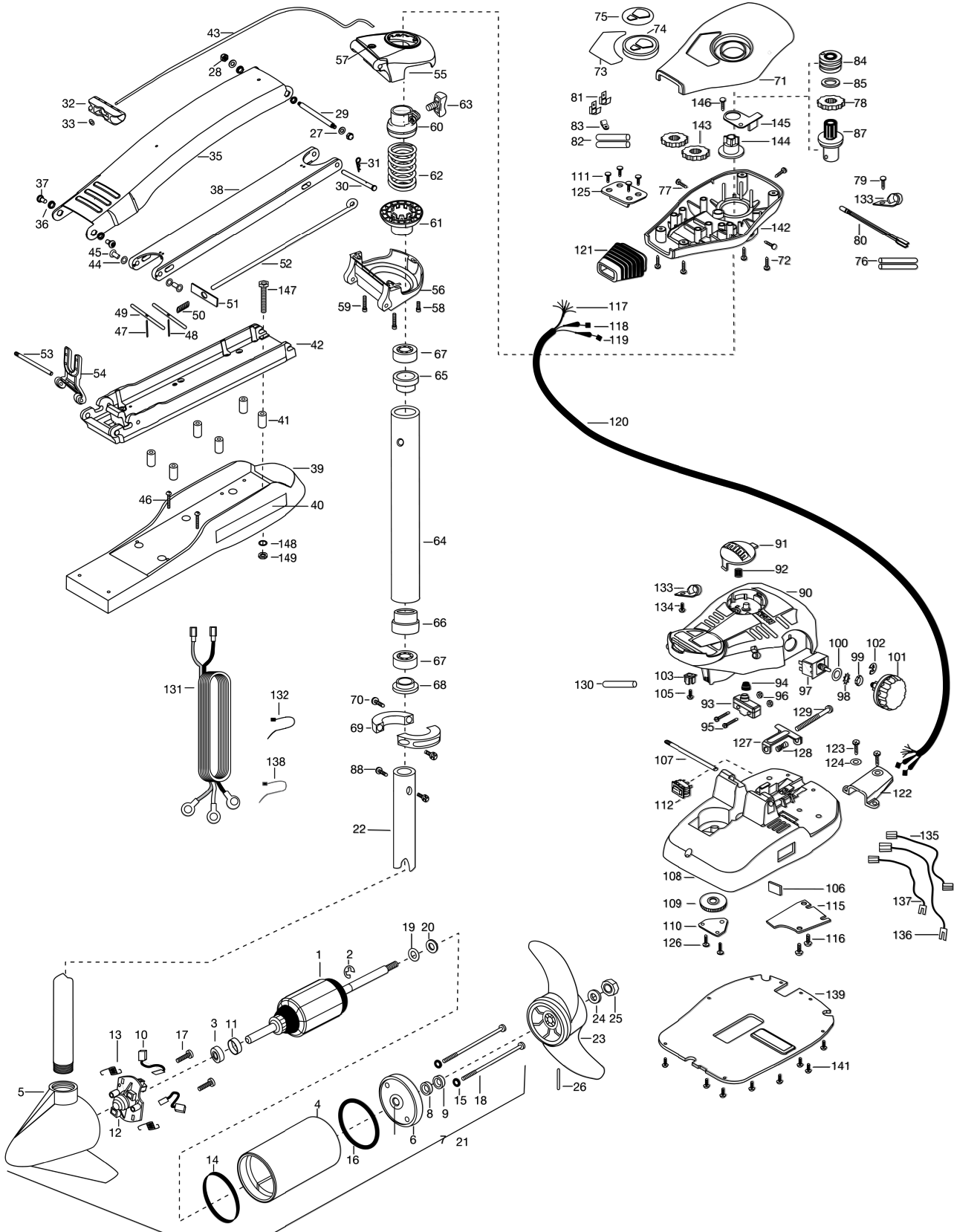
**Seal & Oring Kit P/N 2888460

* This item is part of an assembly. This item cannot be sold separately due to machining and /or assembly that is required.



MINN KOTA®

MAXXUM 55 SC - 42 INCHES (ANCIEN MODÈLE)



MINN KOTA®

W W W . N A V I C O M . F R





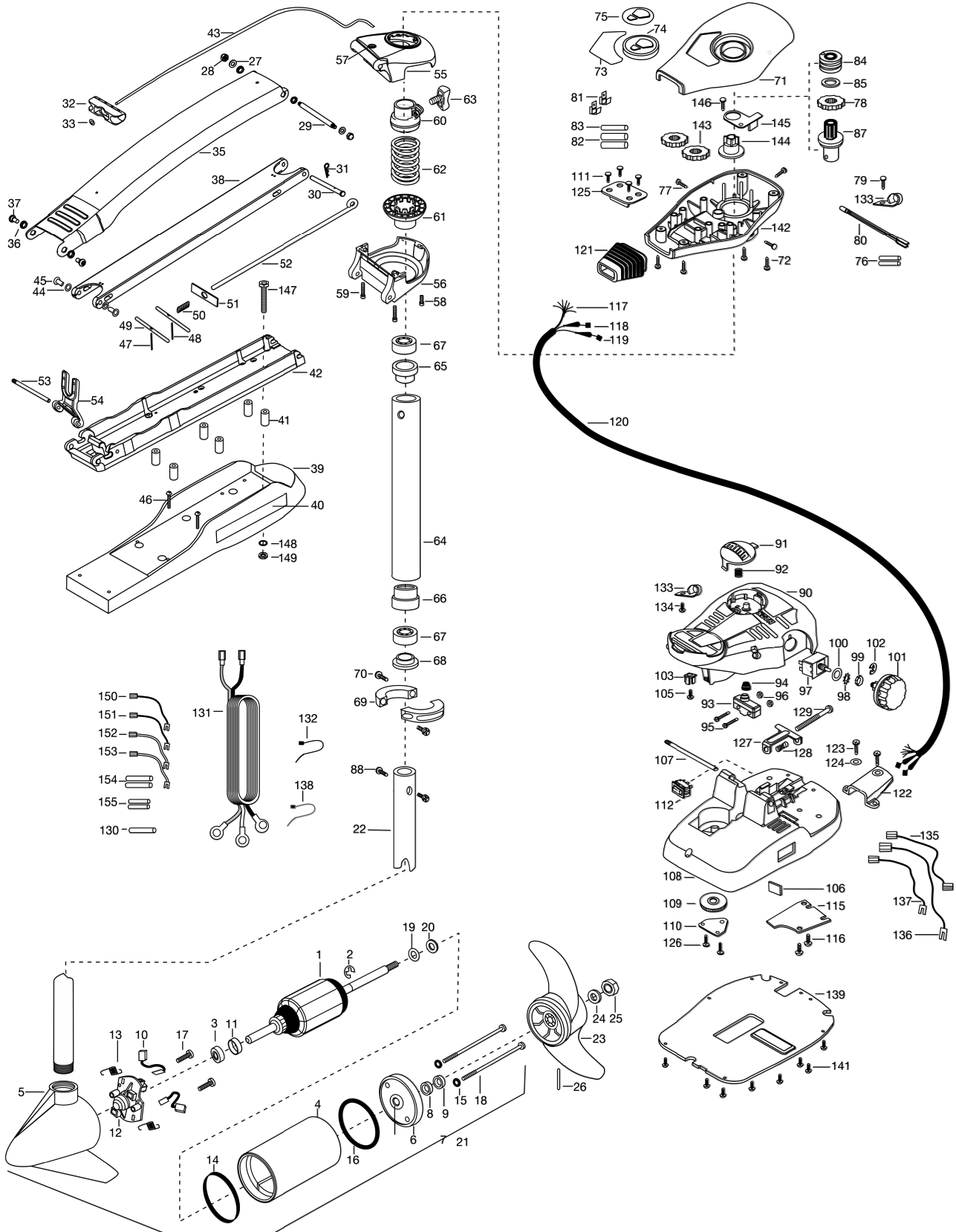
MINN KOTA®

MAXXUM 55 SC - 42 INCHES
(ANCIEN MODÈLE)

1	92-100-013	ARMATURE ASSEMBLY 12V 3.625 5SPC 55#	49	2233602	LOCK BAR, REAR - ZINC	98	2261701	LOCKWASHER-STAR
2	788-015	RETAINING RING	50	2152700	SPRING-LOCKBAR CADPLTD	99	2263105	NUT-HEX
3	140-010	BALL BEARING	51	2262703	SPRING STOP	100	2261715	SPACER-SWITCH 5 SP MODELS
4	431-101	CENTER HOUSING ASSEMBLY 3.625 FW TXT	52	2153602	EYE SHAFT-2LOCKBAR STD-PL	101	2260170	KNOB-SPEED CONTROL (5 SPD)
5	2-300-196	BRUSH END HOUSING ASSEMBLY 3.62 SPCO	53	2260506	HINGE-PIN HEADLESS ZINC	102	2263000	E-RING TRU-ARC#5133-43
6	2-400-101	PLAIN END HOUSING ASSEMBLY	54	2293811	YOKE-MAX MNT-POLYPROPYLENE	103	2260730	CONNECTOR 1/4 MALE TAB OD
7	144-049	BEARING - FLANGE (SERVICE ONLY)	55	2991869	BOWGUARD ASSEMBLY- FT CTRL FW	105	2332103	SCREW-6-20 X 3/8" THD SS
8	880-003	**SEAL	55	2772315	BRACKET BASE TOPIEYLET ASSEMBLY	106	2266413	TENSION SCREW PLATE FT PED
9	880-006	**SEAL WITH SHIELD	56	2991999	BRKT BTM/BEARING FW ASSEMBLY	107	2260511	PIN-PIVOT AT FT PDL
10	188-036	BRUSH ASSEMBLY [2.EA]	57	2772352	EYELET KIT	108	2992102	FT PED BASE/PIN ASSEMBLY SONAR
11	725-050	BRUSH RETENTION- PAPER TUBE	58	2263402	SCREW 1/4-20 X 3/4" ZINC	109	2262301	PULLEY- FOOT PEDAL
12	738-036	BRUSH PLATE W/HOLDER	59	2263404	SCREW-1/4-20X2 1/4" SHCP SS [2.EA]	110	2266400	COVER-PULLEY STAMPING
13	975-040	SPRING - TORSION [2.EA]	60	2261525	SPRING-SLEEVE UPPER	111	2223430	SCREW- #8 X3/4 SS PPH TYPE 25 [4.EA]
14	337-036	**GASKET	61	2261535	SPRING-SLEEVE LOWER	112	2254031	SWITCH-M0M/OFF/CON
15	701-008	**O-RING, THRU-BOLT [2.EA]	62	2262706	SPRING; BOWGUARD, NIK PL	115	2266412	SWITCH PLATE, FT PEDAL
16	701-081	**O-RING	63	2011365	SCREW- COLLAR/NEW KNOB	116	2332103	SCREW-6-20 X 3/8 THD SS [2.EA]
17	830-007	SCREW-8-32 [2.EA]	64	2772012	TUBE W/BEARING RACE ASSEMBLY	117	2261208	WIRE HARNESS, AT FT. PHD
18	830-042	THRU-BOLT 10-32X8.83" [2.EA]	65	2272069	TUBE OUTER-21" 4 HOLES	118	2267500	CABLE ASSY/RIGHT (5)
19	990-067	WASHER- STEEL THRUST	66	2266260	BEARING RACE	119	2267510	CABLE ASSY/LEFT (5)
20	990-070	WASHER - NYLATRON [2.EA]	66	2266220	BEARING RACE-STEEL	120	22665430	CABLE JACKET (5)
21	2099092	MOTOR ASSEMBLY 12V 3.625 5SPC FW 55#	67	2266000	BEARING BALL-STEEL [2.EA]	121	2265110	BOOT-CONTROL BOX
22	2032061	TUBE (COMP) W/CSK HOLE-43 3/4"	68	2266115	BEARING CONE	122	2265115	BOOT-CONTROL PEDAL BASE
23	1378122	PROP KIT	69	2771617	COLLAR HALF-ZINC- 2 PER KIT	123	2372100	SCREW-8-18 X 5/8 THD SS [2.EA]
24	2091150	PROPELLER (W/WEDGE)	70	2263452	SCREW-1/4-20 X 3/4" SHCS [2.EA]	124	2261714	WASHER-MAXXUM FT PDL [2.EA]
25	2151726	WASHER-5/16 STD SS	71	2260283	CONTROL BOX COVER -MAXXUM	125	2261901	BRACKET-CONDUIT
26	2053101	NUT-PROP/NYLOC (MED) 5/16 SS	72	2372100	SCREW-8-18 X 5/8" THD SS [4.EA]	126	2301310	SCREW-8-18 X 1/2 SS [2.EA]
27	2092600	PIN-DRIVE (95-4HP'S) SS	73	2266555	DECAL-COVER MAX55/SC	127	2263210	BRACKET-CONDUIT ADJUSTMEN
28	2261722	WASHER FLAT [2.EA]	74	2260150	POINTER DISC SHORT RED	128	2262720	SPRING-CONDUIT AD
29	2223100	NUT-TENSION 5/16-18 SS [2.EA]	75	2266580	DECAL-INDICATOR	129	2263463	SCREW-1/4-20 X 2" STL PPH
30	2262605	PIN- BWGRD UPPER THREADED	76	2375400	SHRINK TUBE-1/4OD X 1-3/4" [2.EA]	130	2355410	SHRINK TUBE-3/8 OD X 2"
31	2262607	CLEVIS PIN ZP MAXXUM BWGRD	77	2053414	SCREW-#8-32 X 1/2" TRI-LOBE [3.EA]	131	2261225	LEADWIRE- BATTERY
32	2150400	PULL-GRIP	78	2267800	GEAR-INDICATOR	132	2265300	TIE WRAP-5.5" BLACK
33	2151700	WASHER-EYE SHAFT (.562 OD)	79	2301310	SCREW-8-18 X 1/2" SS	133	2263201	CLAMP WIRE HARNESS MICRO [2.EA]
34	2771840	MOUNT- BOW ASSEMBLY, WBGRD FW STD	80	2264015	LIGHT/INDICATOR	134	2332103	SCREW-6-20 X 3/8 THD SS
35	2264241	ARM-UPPER FW/STD	81	2020713	TERMINAL-ADAPTOR, MAX [2.EA]	135	2260301	CONNECTING WIRE (SWITCH)
36	2293501	BUSHING, STAINLESS STEEL [4.EA]	82	2335400	SHRINK TUBE-1/2 OD X 2" [2.EA]	136	2260312	WIRE.BLK W/WHT STRP 19 1/2
37	2263500	BOLT- SHOULDER (MAXXUM) [2.EA]	83	2052511	CABLE CLAMP, 1/4" VANTAGE	137	2260322	WIRE.BLK W/BLUE STRP-12"
38	2994307	ARM-LOWER ASSEMBLY,STD,FW/EXT	84	2232360	PULLEY-CABLE DRUM	138	2256301	TIE WRAP-5.5" WHITE
39	2263912	MOTOR REST STD MAXXUM	85	2261730	WASHER-NYLON AT CON B	139	2266414	BOTTOM PLATE MAX FOOT PED
40	2265514	DECAL-MAXXUM/MOTOR REST [2.EA]	87	2996246	TOP BEARING RACE/PINION DR	141	9953104	SCREW-8 X 1/2" SS [8.EA]
41	2261505	SPACER, MOTOR REST [6.EA]	88	2263410	SCREW-8-32 X 5/16" ZN PL [2.EA]	142	2262535	CONTROL BOX-PLASTIC
42	2773987	BOWPLATE/INST ASSEMBLY STD FW	90	2790002	FOOT PEDAL/PLUG ASSEMBLY (AT)	143	2267800	GEAR-INDICATOR [2.EA]
43	2251601	ROPE (40"), MAXXUM MOUNT	91	2263700	PUSH-BUTTON FOOT PEDAL	144	2262220	INDICATOR-DRIVE
44	2261708	WASHER-3/8X1/2X.010" SS [2.EA]	92	2302732	SPRING-LOWER PEDAL SS	145	2261905	BRACKET/INDICATOR
45	2236000	BEARING NYLINER-[2.EA]	93	2264020	SWITCH MOMENTARY	146	2301310	SCREW-8-18 X 1/2" SS
46	2263434	SCREW, 8-18 X 1" PPH SS [2.EA]	94	2265140	BOOT-MICROSWITCH	147	2994830	BAG ASSEMBLY-MAXXUM
47	2152610	SPRING-PIN LOCKBAR [2.EA]	95	2262114	SCREW-MOUNTING/SWITCH [2.EA]	*147	2263431	SCREW 1/4-20 X 3.5" PPH [6.EA]
48	2233600	LOCK BAR- BOW MOUNT	96	2233100	NUT-SWITCH MOUNT [2.EA]	*148	2261713	WASHER-1/4 FLAT SS [6.EA]
			97	2264026	SWITCH-5 SPEED (ALL TERRAIN)	*149	2263103	NUT-1/4-20 NYLOCK-JAM SS [6.EA]

**Seal & Oring Kit P/N 2888460 * This item is part of an assembly. This item cannot be sold separately due to machining and /or assembly that is required.

MAXXUM 55 SC - 52 INCHES (ANCIEN MODÈLE)





MINN KOTA®

MAXXUM 55 SC - 52 INCHES

(ANCIEN MODÈLE)

1	92-100-013	ARMATURE ASSEMBLY 12V 3.625 5SPC 55#	51	2262703	SPRING STOP	102	2263000	E-RING TRU-ARC#5133-43
2	788-015	RETAINING RING	52	2153604	EYE SHAFT-ZLOCKBAR LONG -PL	103	2260730	CONNECTOR 1/4 MALE TAB OD
3	140-010	BALL BEARING	53	2260506	HINGE-PIN HEADLESS ZINC	105	2332103	SCREW-6-20 X 3/8" THD SS
4	2-200-101	CENTER HOUSING ASSEMBLY 3.625 FW TXT	54	2293811	YOKE:MAX MNT-POLYPROPYLENE	106	2266413	TENSION SCREW PLATE FT PED
5	2-300-196	BRUSH END HOUSING ASSEMBLY 3.62 SPCO	■	2991869	BOWGUARD ASSEMBLY: FT CTRL FW	107	2260511	PIN-PIVOT AIT FT PDL
6	2-400-101	PLAIN END HOUSING ASSEMBLY	55	2772315	BRACKET BASE TOP/EYELET ASSEMBLY	108	2992102	FT PED BASE/PIN ASSEMBLY SONAR
7	144-049	BEARING - FLANGE (SERVICE ONLY)	56	2991999	BRKT BTM/BEARING FW ASSEMBLY	109	2262301	PULLEY-FOOT PEDAL
8	880-003	**SEAL	57	2772352	EYELET KIT	110	2266400	COVER-PULLEY STAMPING
9	880-006	**SEAL WITH SHIELD	58	2263404	SCREW 1/4-20 X 3/4" ZINC	111	2223430	SCREW- #8 X3/4 SS PPH TYPE 25 [4.EA]
10	188-036	BRUSH ASSEMBLY [2.EA]	59	2263404	SCREW-1/4-20X2 1/4" SHCP SS [2.EA]	112	2254031	SWITCH-MOM/OFF/CON
11	725-050	BRUSH RETENTION- PAPER TUBE	60	2261525	SPRING-SLEEVE UPPER	115	2266412	SWITCH PLATE, FT PEDAL
12	738-036	BRUSH PLATE W/HOLDER	61	2261535	SPRING, SLEEVE, LOWER	116	2332103	SCREW-6-20 X 3/8 THD SS [2.EA]
13	975-040	SPRING - TORSION [2.EA]	62	2262706	SPRING, BOWGUARD, NIK PL	117	2261208	WIRE HARNESS; AIT FT, PHD
14	337-036	**GASKET	63	2011365	SCREW- COLLAR/NEW KNOB	118	2267500	CABLE ASSY-RIGHT (5')
15	701-008	**O-RING, THRU-BOLT [2.EA]	■	2772016	TUBE W/BEARING RACE ASSEMBLY	119	2265430	CABLE ASSY-LEFT (5')
16	701-081	**O-RING	64	2772067	TUBE OUTER-24" 4 HOLES	120	2265430	CABLE JACKET (5')
17	830-007	SCREW-8-32 [2.EA]	65	2266260	BEARING RACE	121	2265110	BOOT-CONTROL BOX
18	830-042	THRU-BOLT 10-32X8.83" [2.EA]	66	2266220	BEARING RACE-STEEL	122	2265115	BOOT-FOOT PEDAL BASE
19	990-067	WASHER- STEEL THRUST	67	2266000	BEARING BALL-STEEL [2.EA]	123	2372100	SCREW-8-18 X 5/8 THD SS [2.EA]
20	990-070	WASHER - NYLATRON [2.EA]	68	2266115	BEARING CONE	124	2261714	WASHER-MAXXUM FT PDL [2.EA]
21	2099092	MOTOR ASSEMBLY 12V 3.625 5SPC FW 55#	69	2771617	COLLAR HALF-ZINC- 2 PER KIT	125	2261901	BRACKET-CONDUIT
22	2032067	TUBE (COMP) W/CSK HOLE- .52"	70	2263452	SCREW-1/4-20 X 3/4" SHCS [2.EA]	126	2301310	BRACKET-CONDUIT ADJUSTMEN
■	1378122	PROP KIT	71	2260283	CONTROL BOX COVER-MAXXUM	127	2262720	SPRING-CONDUIT ADJ
23	2091150	PROPELLER (W/WEDGE)	72	2263452	SCREW-8-18 X 5/8" THD SS [4.EA]	128	2262720	SCREW-1/4-20 X 2" STL PPH
24	2151726	WASHER-5/16 STD SS	73	2265655	DECAL-COVER MAX55/SC	129	2263463	SHRINK TUBE-3/8 OD X 2"
25	2053101	NUT-PROPNYLOC (MED) 5/16 SS	74	2260150	POINTER DISC SHORT RED	130	2261225	LEADWIRE- BATTERY
26	2092800	PIN-DRIVE (95-4HP'S) SS	75	2265800	DECAL-INDICATOR	131	2261225	LEADWIRE- BATTERY
27	2261722	WASHER FLAT [2.EA]	76	2265800	SHRINK TUBE-1/4OD X 1-3/4" [2.EA]	132	2256300	TIE WRAP-5.5" BLACK
28	2223100	NUT- TENSION 5/16-18 SS [2.EA]	77	2053414	SCREW-#8-32 X 1/2" TRI-LOBE [3.EA]	133	2263201	CLAMP WIRE HARNESS MICRO [2.EA]
29	2262607	PIN- BWGRD UPPER THREADED	78	2267800	GEAR-INDICATOR	134	2332103	SCREW-6-20 X 3/8 THD SS
30	2262805	CLEVIS PIN ZP MAXXUM BWGRD	79	2301310	SCREW-8-18 X 1/2" SS	135	2260301	CONNECTING WIRE (SWITCH)
31	2260801	SPRING CLIP	80	2264015	LIGHT/INDICATOR	136	2260312	WIRE,BLK W/WHIT STRP 19 1/2
32	2150400	PULL-GRIP	81	2020713	TERMINAL-ADAPTOR, MAX [2.EA]	137	2260322	WIRE,BLK W/BLUE STRP-12"
33	2151700	WASHER-EYE SHAFT(.562 OD)	82	2335400	SHRINK TUBE-1/2 OD X 2" [2.EA]	138	2256301	TIE WRAP-5.5" WHITE
■	2771869	MOUNT- BOW ASSEMBLY, WBGRD FW LNG	83	2355410	SHRINK TUBE 3/8 OD X 2	139	2266414	BOTTOM PLATE MAX FOOT PED
35	2264246	ARM-UPPER FW LONG	84	2232360	PULLEY-CABLE DRUM	141	9953104	SCREW-8 X 1/2" SS [8.EA]
36	2293501	BUSHING, STAINLESS STEEL [4.EA]	85	2261730	WASHER-NYLON AIT CON B	142	2262535	CONTROL BOX-PLASTIC
37	2263500	BOLT- SHOULDER (MAXXUM) [2.EA]	87	2996246	TOP BEARING RACE/ PINION DR	143	2267800	GEAR-INDICATOR [2.EA]
38	2994317	ARM-LOWER ASSEMBLY LONG FW,EXT	88	2263410	SCREW-8-32 X 5/16" ZN PL [2.EA]	144	2262220	INDICATOR-DRIVE
39	2263913	MOTOR REST LONG MAXXUM	90	2790002	FOOT PEDAL/PLUG ASSEMBLY (AT)	145	2261905	BRACKET/INDICATOR
40	2265514	DECAL-MAXXUM,MOTOR REST [2.EA]	91	2263700	PUSH-BUTTON FOOT PEDAL	146	2301310	SCREW-8-18 X 1/2" SS
41	2261505	SPACER, MOTOR REST [6.EA]	92	2302732	SPRING-LOWER PEDAL SS	■	2994830	BAG ASSEMBLY-MAXXUM
42	2773986	BOWPLATE/INST ASSEMBLY STD FW	93	2264020	SWITCH MOMENTARY	*147	2263431	SCREW 1/4-20 X 3.5" PPH [6.EA]
43	2251601	ROPE (40'), MAXXUM MOUNT	94	2265140	BOOT-MICROSWITCH	*148	2261713	WASHER-1/4 FLAT SS [6.EA]
44	2261708	WASHER-3/8X1/2X.010" SS [2.EA]	95	2262114	SCREW-MOUNTING/SWITCH [2.EA]	*149	2263103	NUT-1/4-20 NYLOCK-JAM SS [6.EA]
45	2236000	BEARING NYLINER [2.EA]	96	2233100	NUT-SWITCH MOUNT [2.EA]	150	2260330	WIRE EXTENSION- 10GA BLK 9"
46	2263434	SCREW, 8-18 X 1" PPH SS [2.EA]	97	2264026	SWITCH-5 SPEED (ALL TERRAIN)	151	2260331	WIRE EXTENSION- 10GA RED 9"
47	2152610	SPRING-PIN LOCKBAR [2.EA]	98	2261701	LOCKWASHER-STAR	152	2260332	WIRE EXTENSION- 10GA WHIT 9"
48	2233600	LOCK BAR- BOW MOUNT	99	2263105	NUT-HEX	153	2260333	WIRE EXTENSION- 10GA YEL 9"
49	2233602	LOCK BAR, REAR - ZINC	100	2261715	SPACER-SWITCH 5 SP MODELS	154	2355410	SHRINK TUBE 3/8 OD X 2 [2.EA]
50	2152700	SPRING-LOCKBAR CAD,PLTD	101	2260170	KNOB-SPEED CONTROL (5 SPD)	155	2355410	SHRINK TUBE 1/4 OD X 1-3/4 [2.EA]

**Seal & Oring Kit P/N 2888460

* This item is part of an assembly. This item cannot be sold separately due to machining and /or assembly that is required.