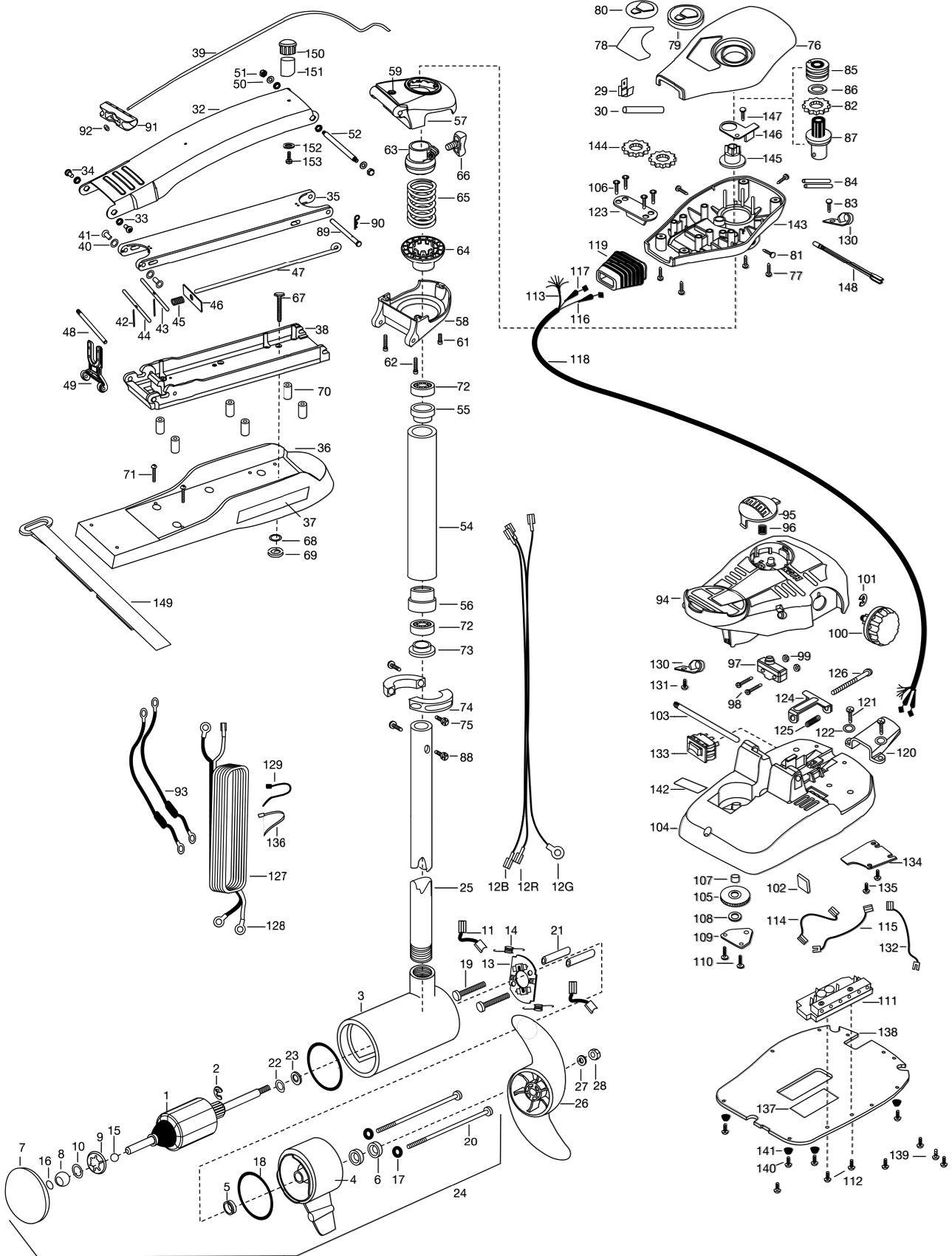


MAXXUM 101 - 42 INCHES (ANCIEN MODÈLE)





MINN KOTA®

MAXXUM 101 - 42 INCHES

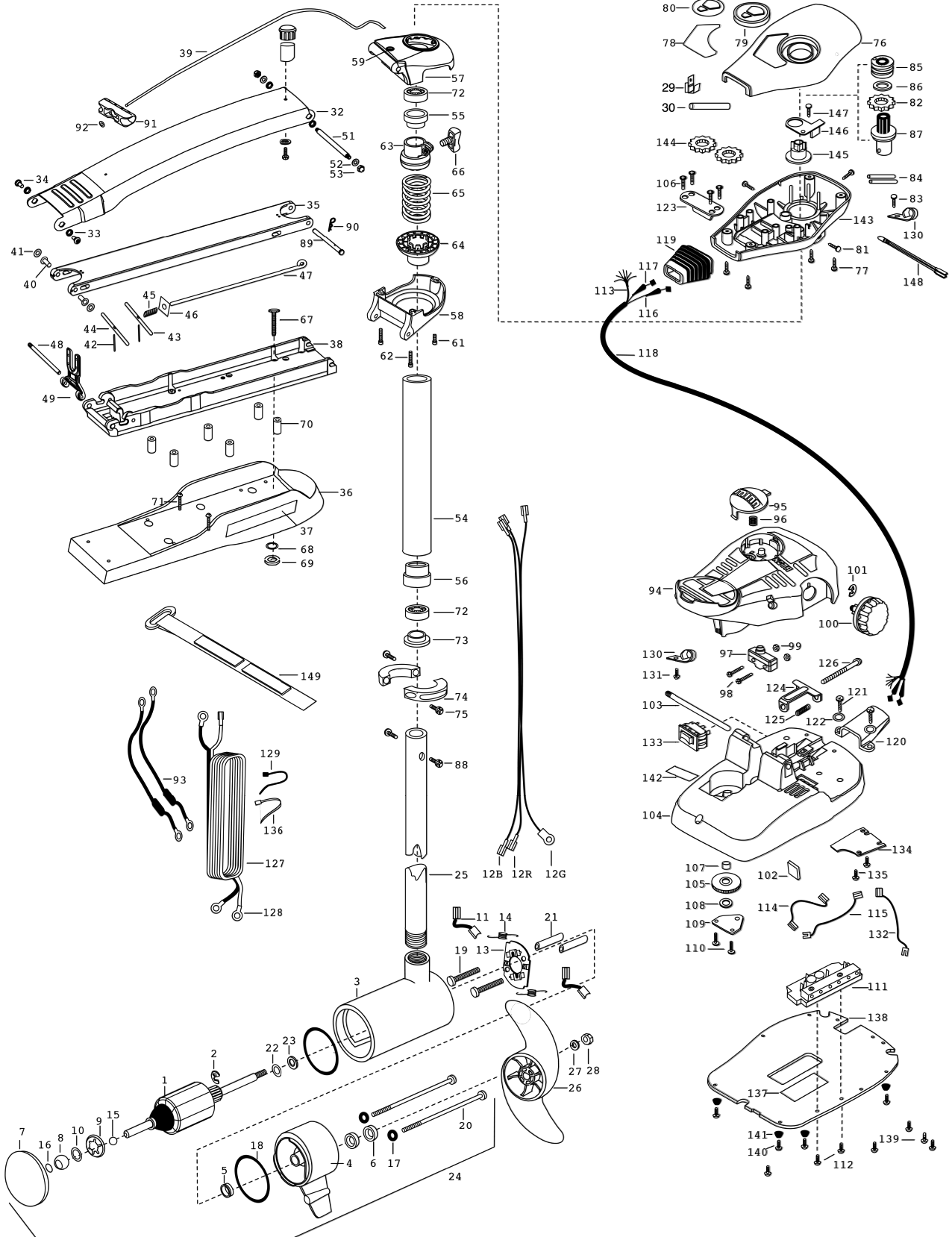
(ANCIEN MODÈLE)

| | | | | | | | | |
|-----|-----------|--|-----|---------|---|-----|---------|---------------------------------------|
| 1 | 2-100-110 | ARMATURE ASSEMBLY 36V 4 VARS TXT | 51 | 2223100 | NUT- TENSION 5/16"-18 SS [2.EA] | 103 | 2260511 | PIN-PIVOT A/T FT PDL |
| 2 | 788-040 | RETAINING RING | 52 | 2262605 | PIN- BWGRD UPPER THREADED ZP | 104 | 2992102 | FOOT PEDAL BASE/PIN ASSEMBLY |
| 3 | 431-110 | CENTER HOUSING ASSEMBLY 4.0 FW TXT 101 | 53 | 2772012 | TUBE W/BEARING RACE ASSEMBLY | 105 | 2262300 | PULLY FOOT PEDAL |
| 4 | 2-300-160 | BRUSH END HOUSING ASSEMBLY 4.0 FW TXT | 54 | 2272069 | TUBE OUTER -21" 4 HOLES | 106 | 2223430 | SCREW- #8 X3/4" PPH TYPE 25 SS [4.EA] |
| 5 | 144-017 | BEARING -FLANGE (SERVICE ONLY) | 55 | 2266260 | BEARING RACE- 56S1 | 107 | 2260000 | BEARING-PULLEY |
| 6 | 880-025 | **SEAL [2.EA] | 56 | 2266220 | BEARING RACE-STEEL | 108 | 2261705 | WASHER-NYLATRON A/T |
| 7 | 2-400-160 | PLAIN END HOUSING ASSEMBLY 4.0 | 57 | 2991867 | BOWGUARD ASSEMBLY-FT CT FW | 109 | 2266400 | COVER-PULLEY STAMPING |
| 8 | 144-021 | BEARING -SPHERICAL | 57 | 2772315 | BRACKET BASE TOP/EYELET | 110 | 2301310 | SCREW-8-18 X 1/2" SS [2.EA] |
| 9 | 784-025 | BEARING RETAINER | 58 | 2991993 | BRACKET BOTTOM/BEARING ASSEMBLY | 111 | 2264012 | CONTROL BOARD ASSEMBLY- MAX101 |
| 10 | 991-040 | FELT WASHER | 59 | 2772352 | EYELET KIT -ROPE | 112 | 2053414 | SCREW 8-32 X 1/2 TRI-LOBE [2.EA] |
| 11 | 186-094 | BRUSH 4" [2.EA] | 61 | 2263402 | SCREW 1/4-20 X 3/4" ZINC | 113 | 2261218 | WIRE HARNESS MAX 101 |
| 12B | 640-014 | BRUSH WIRE- BLACK 10 AWG 54 1/2 | 62 | 2263404 | SCREW 1/4-20 X 2-1/4" SHCP [2.EA] | 114 | 2260325 | WIRE,BLK W/GRN STRIPE 11 1/4" |
| 12R | 640-118 | BRUSH WIRE- RED 10 AWG 56 XLP | 63 | 2261525 | SPRING-SLEEVE UPPER | 115 | 2260326 | WIRE,RED W/YEL STRIPE 16 1/2" |
| 12G | 640-302 | GROUND WIRE- GREEN 10 AWG 54 1/2 | 64 | 2261535 | SPRING SLEEVE LOWER | 116 | 2267500 | CABLE ASSEMBLY-RIGHT 5' |
| 13 | 738-004 | BRUSH PLATE - 4" TERMINAL | 65 | 2262706 | SPRING, BOWGUARD, NIK | 117 | 2267510 | CABLE ASSEMBLY-LEFT 5' |
| 14 | 975-041 | SPRING -TORSION [2.EA] | 66 | 2011365 | SCREW-COLLAR/NEW KNOB | 118 | 2265430 | CABLE JACKET 5' |
| 15 | 116-025 | BALL-STEEL | 66 | 2994830 | BAG ASSEMBLY-MAXXUM | 119 | 2265110 | BOOT-CONTROL BOX |
| 16 | 303-043 | THRUST DISC- METAL | 67 | 2263431 | SCREW 1/4-20 X 3.5" PPH [6.EA] | 120 | 2265115 | BOOT-FOOT PEDAL BASE |
| 17 | 701-009 | **O-RING -THRU BOLT [2.EA] | 68 | 2261713 | WASHER-1/4" FLAT S/S [6.EA] | 121 | 2372100 | SCREW-8-18 X 5/8", THDT [2.EA] |
| 18 | 701-043 | **O-RING [2.EA] | 69 | 2263103 | NUT - NYLOCK JAM 1/4-20 S/S [6.EA] | 122 | 2261714 | WASHER-MAXXUM FT PDL [2.EA] |
| 19 | 830-027 | SCREW -SELF TREADED 10-32 X 2" [2.EA] | 70 | 2261505 | SPACER, MOTOR REST [6.EA] | 123 | 2261901 | BRACKET-CONDUIT AT/MAX |
| 20 | 830-096 | THRU BOLT 12-24 X 11.56" SS [2.EA] | 71 | 2263434 | SCREW, 8-18 X 1" PPH [2.EA] | 124 | 2263210 | BRACKET-CONDUIT ADJUST |
| 21 | 973-025 | SPACER -BRUSH PLATE [2.EA] | 72 | 2266000 | BEARING, BALL-STEEL [2.EA] | 125 | 2262720 | SPRING-CONDUIT ADJUST |
| 22 | 990-051 | WASHER-THRUST, STEEL | 73 | 2266115 | BEARING CONE | 126 | 2263463 | SCREW-1/4-20 X 2" STL PPH |
| 23 | 990-052 | WASHER- NYLATRON | 74 | 2261619 | COLLAR HALF-ZINC-2 PER | 127 | 2261227 | LEADWIRE A/T VARIABLE |
| 24 | 2317050 | MOTOR ASSEMBLY 36V 4 VARS TXT | 75 | 2263452 | SCREW- 1/4-20X3/4 SHCP SS [2.EA] | 128 | 2020700 | TERMINAL RING, 3/8" [2.EA] |
| 25 | 2032061 | TUBE (COMP) W/CSK HOLE 43 3/4 | 76 | 2260283 | CONTROL BOX COVER-MAX | 129 | 2256300 | TIE WRAP-5.5" BLACK |
| 26 | 2331130 | PROPELLER KIT | 77 | 2372100 | SCREW-8-18 X 5/8" THD SS [4.EA] | 130 | 2263201 | CLAMP WIRE HARNESS MICRO [2.EA] |
| 27 | 2091710 | PROPELLER (W.WEDGE) | 78 | 2265539 | DECAL COVER, MAXXUM 101 | 131 | 2332103 | SCREW-6-20 X 3/8" THD |
| 28 | 2093101 | WASHER-PROP (LARGE) MAX 101 | 79 | 2260150 | POINTER DISC TRNSXLCNT | 132 | 2260312 | WIRE,BLK W/WHT STRIPE 19 1/4" |
| 29 | 2020713 | NUT-PROP (LARGE) MAX 101 | 80 | 2265800 | DECAL-INDICATOR | 133 | 2254031 | SWITCH-H-MOM/OFF/COM |
| 30 | 2335400 | SHRINK TUBE 1/4"ODX2" | 81 | 2053414 | SCREW-8-32 X 1/2" TRI-LOBE [3.EA] | 134 | 2266412 | SWITCH PLATE, FT PEDAL |
| 31 | 2771840 | MOUNT, BOW ASSEMBLY, FW STD MAX 101 | 82 | 2267800 | GEAR INDICATOR | 135 | 2332103 | SCREW-6-20 X 3/8" THD [2.EA] |
| 32 | 2264241 | ARM-UPPER FW STD | 83 | 2301310 | SCREW-8-18 X 1/2" SS | 136 | 2256301 | TIE WRAP-5.5" WHITE [2.EA] |
| 33 | 2293501 | BUSHING, STAINLESS STEEL [4.EA] | 84 | 2355410 | SHRINK TUBE-3/8 OD X 2" [2.EA] | 137 | 2365109 | INSULATING PAD 2.4 X 4.7" |
| 34 | 2263500 | BOLT, SHOULDER [2.EA] | 85 | 2232360 | PULLEY-CABLE DRUM | 138 | 2264511 | BOTTOM PLATE, MAX 101 |
| 35 | 2774315 | ARM-LOWER ASSEMBLY, STD, FW EXT | 86 | 2261730 | WASHER-NYLON A/T | 139 | 9953104 | SCREW-8 X 1/2" SS [5.EA] |
| 36 | 2263912 | MOTOR REST STD, MAXXUM | 87 | 2996246 | TOP BEARING RACE /PINION DRIVE ASSEMBLY | 140 | 2263455 | SCREW #12-14 X 1/2" THR FRM [4.EA] |
| 37 | 2265514 | DECAL -MOTOR REST [2.EA] | 88 | 2263410 | SCREW-8-32 X 5/16" ZINC PLATE [2.EA] | 141 | 2265126 | BUMPER PAD, FOOT PEDAL [4.EA] |
| 38 | 2773987 | BOWPLATE/INSERT- STD FW | 89 | 2262607 | PIN- CLEVIS ZN PL | 142 | 2266610 | DECAL-ON/OFF SWITCH |
| 39 | 2251601 | ROPE 40" MAXXUM | 90 | 2260801 | SPRING CLIP ZN PL | 143 | 2262535 | CONTROL BOX-PLASTIC |
| 40 | 2261708 | WASHER-3/8 X 1/2 X.010" SS [2.EA] | 91 | 2150400 | PULL-GRIP | 144 | 2267800 | GEAR-INDICATOR [2.EA] |
| 41 | 2236000 | BEARING NYLINER [2.EA] | 92 | 2151700 | WASHER-EYE SHAFT .562" | 145 | 2262220 | INDICATOR-DRIVE |
| 42 | 2152610 | SPRING-PIN (LOCKBAR) [2.EA] | 93 | 2998200 | CIRCUIT BREAKER ASSEMBLY 36V-101 [2.EA] | 146 | 2261905 | BRACKET/INDICATOR |
| 43 | 2233600 | LOCK BAR- (BOW MOUNT) | 94 | 2790002 | FOOT PEDAL/PLUG ASSEMBLY | 147 | 2301310 | SCREW-8-18 X 1/2" SS |
| 44 | 2233602 | LOCK BAR, REAR - ZINC | 95 | 2263700 | PUSH-BUTTON FOOT PEDAL | 148 | 2264015 | LIGHT/INDICATOR |
| 45 | 2152700 | SPRING -LOCKBAR | 96 | 2302732 | SPRING-LOWER PEDAL SS | 149 | 2263802 | STRAP- HOLD DOWN 30.5 VELCROJ |
| 46 | 2262703 | SPRING STOP | 97 | 2264023 | SWITCH-SEALED ASSEMBLY | 150 | 2994833 | BAG ASSEMBLY- MAXXUM STABILIZER |
| 47 | 2153602 | EYE SHAFT -2LOCKBAR STD PLTD | 98 | 2262114 | SCREW-MOUNTING/SWITCH [2.EA] | 151 | 2268401 | SHAFT- SUPPORT |
| 48 | 2260506 | HINGE-PIN HEADLESS ZINC | 99 | 2231100 | NUT-SWITCH MOUNT [2.EA] | 152 | 2263465 | BUMPER- SHAFT |
| 49 | 2293811 | YOKE, MAXXUM MOUNT POLYPROPYLENE | 100 | 2260160 | KNOB-SPEED CONTROL | 153 | 2261716 | WASHER- CONICAL ID.28 SS |
| 50 | 2261722 | WASHER SS [2.EA] | 101 | 2263000 | E-RING TRU-ARC#5133-43 | | | |
| | | | 102 | 2266413 | TENSION SCREW PLATE FT | | | |

**Seal & O-ring Kit P/N 2889460

* This item is part of an assembly. This item cannot be sold separately due to machining and /or assembly that is required.

MAXXUM 101 - 52 & 62 INCHES (ANCIEN MODÈLE)





MINN KOTA®

MAXXUM 101 - 52 & 62 INCHES
(ANCIEN MODÈLE)

| | | | | | | | | |
|-----|-----------|--|-----|---------|---|---------|-------------|---------------------------------------|
| 1 | 2-100-110 | ARMATURE ASSEMBLY 36V 4 VARS FW 101# | 52 | 2261722 | WASHER FLAT [2 EA] | 103 | 2260511 | PIN-PIVOT AT FT PDL |
| 2 | 788-040 | RETAINING RING | 53 | 2223100 | NUT-TENSION 5/16-18 SS [2 EA] | 104 | 2992102 | FOOT PEDAL BASE/PIN ASSEMBLY |
| 3 | 431-110 | CENTER HOUSING ASSEMBLY 4.0 FW TXT MAX | 54 | 2772016 | TUBE W/BEARING RACE ASSEMBLY 52" | 105 | 2262300 | PULLEY FOOT PEDAL |
| 4 | 2-300-160 | BRUSH END HOUSING ASSEMBLY 4.0 FW TXT | 55 | 2727027 | TUBE OUTER -24" 4 HOLES 52" | 106 | 2223430 | SCREW- #8 X3/4" PPH TYPE 25 SS [4 EA] |
| 5 | 144-017 | BEARING -FLANGE (SERVICE ONLY) | 56 | 2272068 | TUBE OUTER -34" 4 HOLES 62" | 107 | 2260000 | BEARING-PULLEY |
| 6 | 890-025 | **SEAL [2 EA] | 57 | 2266260 | BEARING RACE-565T | 108 | 2261705 | WASHER-NYLATRON A/T |
| 7 | 2-400-160 | PLAIN END HOUSING ASSEMBLY 4.0 | 58 | 2266220 | BEARING RACE-STEEL | 109 | 2266400 | COVER-PULLEY STAMPING |
| 8 | 144-021 | BEARING -SPHERICAL | 59 | 2772315 | BOWGUARD ASSEMBLY FT CTRL MAX | 110 | 2301310 | SCREW-8-18 X 1/2" SS [2 EA] |
| 9 | 784-025 | BEARING RETAINER | 60 | 2771993 | BRACKET BASE TOP/EYELET ASSEMBLY | 111 | 2264012 | CONTROL BOARD ASSEMBLY- MAX101 |
| 10 | 991-040 | FELT WASHER | 61 | 2263402 | BRACKET BOTTOM/BEARING ASSEMBLY | 112 | 2063414 | SCREW 8-32 X 1/2 TRI-LOBE [2 EA] |
| 11 | 188-094 | BRUSH 4" W/TERMINAL [2 EA] | 62 | 2263402 | EYELET-ROPE KIT | 113 | 2261218 | WIRE HARNESS MAX 101 |
| 12B | 640-017 | BRUSH WIRE- BLACK 10 AWG 61 XLP | 63 | 2263402 | SCREW 1/4-20 X 2-1/4" SHCP [2 EA] | 114 | 2260325 | WIRE BLK W/GRN STRIPE 11 1/4" |
| 12R | 640-017 | BRUSH WIRE- RED 10 AWG 62-1/2 | 64 | 2261525 | SPRING-SLEEVE UPPER | 115 | 2260326 | WIRE RED W/YEL STRIPE 16 1/2" |
| 12G | 640-303 | GROUND WIRE- GREEN 10 AWG 61 | 65 | 2261535 | SPRING SLEEVE LOWER | 116 | 2267500 | CABLE ASSEMBLY-RIGHT 5' |
| 13 | 738-004 | BRUSH PLATE - 4" TERMINAL | 66 | 2262706 | SPRING, BOWGUARD, NIK | 117 | 2267510 | CABLE ASSEMBLY-LEFT 5' |
| 14 | 975-041 | BRUSH -TORSION [2 EA] | 67 | 2261619 | SCREW-COLLAR/NEW KNOB | 118 | 2265430 | CABLE JACKET 5' |
| 15 | 116-025 | BALL-STEEL | 68 | 2263431 | BAG ASSEMBLY/MAXXUM | 119 | 2265110 | BOOT-CONTROL BOX |
| 16 | 303-043 | THRUST DISC- METAL | 69 | 2263431 | SCREW 1/4-20 X 3.5" PPH [6 EA] | 120 | 2265115 | BOOT-FOOT PEDAL BASE |
| 17 | 701-009 | **O-RING -THRU BOLT [2 EA] | 70 | 2261505 | WASHER-8-18 X 1" PPH [2 EA] | 121 | 2372100 | SCREW-8-18 X 5/8" THDT [2 EA] |
| 18 | 701-043 | **O-RING (2 REQ'D) | 71 | 2266000 | BEARING, BALL-S-STEEL [2 EA] | 122 | 2261714 | WASHER-MAXXUM FT PDL [2 EA] |
| 19 | 830-027 | SCREW -SELF TREADED 10-32 X 2" [2 EA] | 72 | 2266000 | BEARING, BALL-S-STEEL [2 EA] | 123 | 2261901 | BRACKET-CONDUIT AT/MAX |
| 20 | 830-096 | THRU BOLT 12-24 X 11.56" SS [2 EA] | 73 | 2261619 | COLLAR HALF-ZINC-2 PER | 124 | 2263210 | BRACKET-CONDUIT ADJUST |
| 21 | 973-025 | SPACER -BRUSH PLATE [2 EA] | 74 | 2261619 | COLLAR HALF-ZINC-2 PER | 125 | 2262720 | SPRING-CONDUIT ADJUST |
| 22 | 990-051 | WASHER-THRUST, STEEL | 75 | 2263452 | SCREW -1/4-20/3/4 SHCP SS [2 EA] | 126 | 2263463 | SCREW-1/4-20 X 2" STL PPH |
| 23 | 990-052 | WASHER-NYLATRON | 76 | 2260283 | CONTROL BOX COVER-MAX | 127 | 2261227 | LEADWIRE A/T VARIABLE |
| 24 | 2317051 | MOTOR ASSEMBLY 36V VARS TXT | 77 | 2372100 | SCREW-8-18 X 5/8" THDT [4 EA] | 128 | 2020700 | TERMINAL RING, 3/8" [2 EA] |
| 25 | 2032067 | TUBE (COMP) W/CSK HOLE 52" | 78 | 2265539 | DECAL COVER, MAXXUM 101 | 129 | 2256300 | TIE WRAP-5" BLACK |
| 26 | 2032066 | TUBE (COMP) W/CSK HOLE 62" | 79 | 2260150 | POINTNER DISC TRNSLCNT | 130 | 2263210 | CLAMP WIRE HARNESS MICRO [2 EA] |
| 27 | 2091701 | WASHER-PROP (LARGE) MAX 101 | 80 | 2053414 | SCREW-8-32 X 1/2" TRI-LOBE [3 EA] | 131 | 2332103 | SCREW-6-20 X 3/8" THD |
| 28 | 2093101 | NUT-PROP (LARGE) MAX 101 | 81 | 2267800 | GEAR INDICATOR | 132 | 2260312 | WIRE BLK W/WHIT STRIPE 19 1/4" |
| 29 | 2020713 | TERMINAL- ADAPTOR MAX50/S | 82 | 2301310 | SHRINK TUBE-3/8" OD X 2" [2 EA] | 133 | 2254031 | SWITCH-MOM/OFF/COM |
| 30 | 2335400 | SHRINK TUBE 1/4ODX2" | 83 | 2301310 | SHRINK TUBE-3/8" OD X 2" [2 EA] | 134 | 2266412 | SWITCH PLATE, FT PEDAL |
| 31 | 2771864 | MOUNT, BOW ASSEMBLY W/BWGRD FW MAX | 84 | 2355410 | PULLEY-CABLE DRUM | 135 | 2332103 | SCREW-6-20 X 3/8" THD [2 EA] |
| 32 | 2264246 | ARM-UPPER FW LG | 85 | 2232360 | WASHER-NYLON A/T | 136 | 2256301 | TIE WRAP-5.5" WHITE [2 EA] |
| 33 | 2293501 | BUSHING, STAINLESS STEEL [4 EA] | 86 | 2261730 | TOP BEARING RACE /PINION DRIVE ASSEMBLY | 137 | 2365109 | INSULATING PAD 2.4 X 4.7" |
| 34 | 2263500 | BOLT, SHOULDER [2 EA] | 87 | 2996246 | PIN - CLEVIS ZP MAX BG | 138 | 2264511 | SCREW-8 X 1/2" SS [5 EA] |
| 35 | 2774317 | ARM-LOWER ASSEMBLY, LG. FW EXTR | 88 | 2263410 | CLIP-SPRING ZP MAX BG | 139 | 2263455 | SCREW #12-14 X 1/2" THR FRM [4 EA] |
| 36 | 2263913 | MOTOR REST LONG, MAXXUM | 89 | 2262607 | PULL-GRIP | 140 | 2265126 | BUMPER PAD, FOOT PEDAL [4 EA] |
| 37 | 2265514 | DECAL- MOTOR REST [2 EA] | 90 | 2260801 | WASHER-EYE SHAFT .562" | 141 | 2266610 | DECAL-ON/OFF SWITCH |
| 38 | 2773986 | BOWPLATE, LG FW /INSERT | 91 | 2150400 | CIRCUIT BREAKER ASSEMBLY 36V-101 [2 EA] | 142 | 2262220 | CONTROL BOX-PLASTIC |
| 39 | 2251601 | ROPE 40" MAXXUM | 92 | 2151700 | FOOT PEDAL/PLUG ASSEMBLY | 143 | 2267800 | GEAR-INDICATOR [2 EA] |
| 40 | 2261708 | WASHER-3/8 X 1/2 X 0.10" SS [2 EA] | 93 | 2998200 | PUSH-BUTTON FOOT PEDAL | 144 | 2262220 | INDICATOR-DRIVE |
| 41 | 2236000 | BEARING NYLINER [2 EA] | 94 | 2790002 | SPRING-LOWER PEDAL SS | 145 | 2261905 | BRACKET/INDICATOR |
| 42 | 2152610 | SPRING-PIN (LOCKBAR) [2 EA] | 95 | 2263700 | SWITCH-LOWER PEDAL | 146 | 2264015 | LIGHT/INDICATOR |
| 43 | 2233600 | LOCK BAR- (BOW MOUNT) | 96 | 2262703 | SWITCH-SEALED ASSEMBLY | 147 | 2301310 | SCREW-8-18 X 1/2" SS |
| 44 | 2233602 | LOCK BAR, REAR - ZINC | 97 | 2264023 | SCREW-MOUNTING/SWITCH [2 EA] | 148 | 2263802 | STRAP- HOLD DOWN 30.5 VELCRO |
| 45 | 2152700 | SPRING -LOCKBAR | 98 | 2262114 | NUT-SWITCH MOUNT [2 EA] | 149 | NOT SHOWN-- | 62" SHAFT ONLY |
| 46 | 2262703 | SPRING STOP | 99 | 2263000 | KNOB-SPEED CONTROL | 2030710 | 2030710 | CONNECTOR BUTT [2 EA] |
| 47 | 2153604 | EYE SHAFT -2LOCKBAR STD PLTD | 100 | 2263000 | E-RING TRU-ARC#5133-43 | 2030711 | 2030711 | CONNECTOR BUTT |
| 48 | 2260506 | HINGE-PIN HEADLESS ZINC | 101 | 2266413 | TENSION SCREW PLATE FT | 2030315 | 2030315 | WIRE EXTENSION 18" GREEN |
| 49 | 2293811 | YOKE, MAXXUM MOUNT POLYPROPYLENE | 102 | 2266413 | TENSION SCREW PLATE FT | 2030317 | 2030317 | WIRE EXTENSION 18" RED |
| 50 | 2994833 | BAG ASSEMBLY- MAXXUM STABILIZER | | | | 2030316 | 2030316 | WIRE EXTENSION 18" BLACK |
| 51 | 2262605 | PIN- BWGRD UPPER THREADED ZP | | | | 2375400 | 2375400 | SHRINK TUBE 1/4 X1-3/4" [2 EA] |

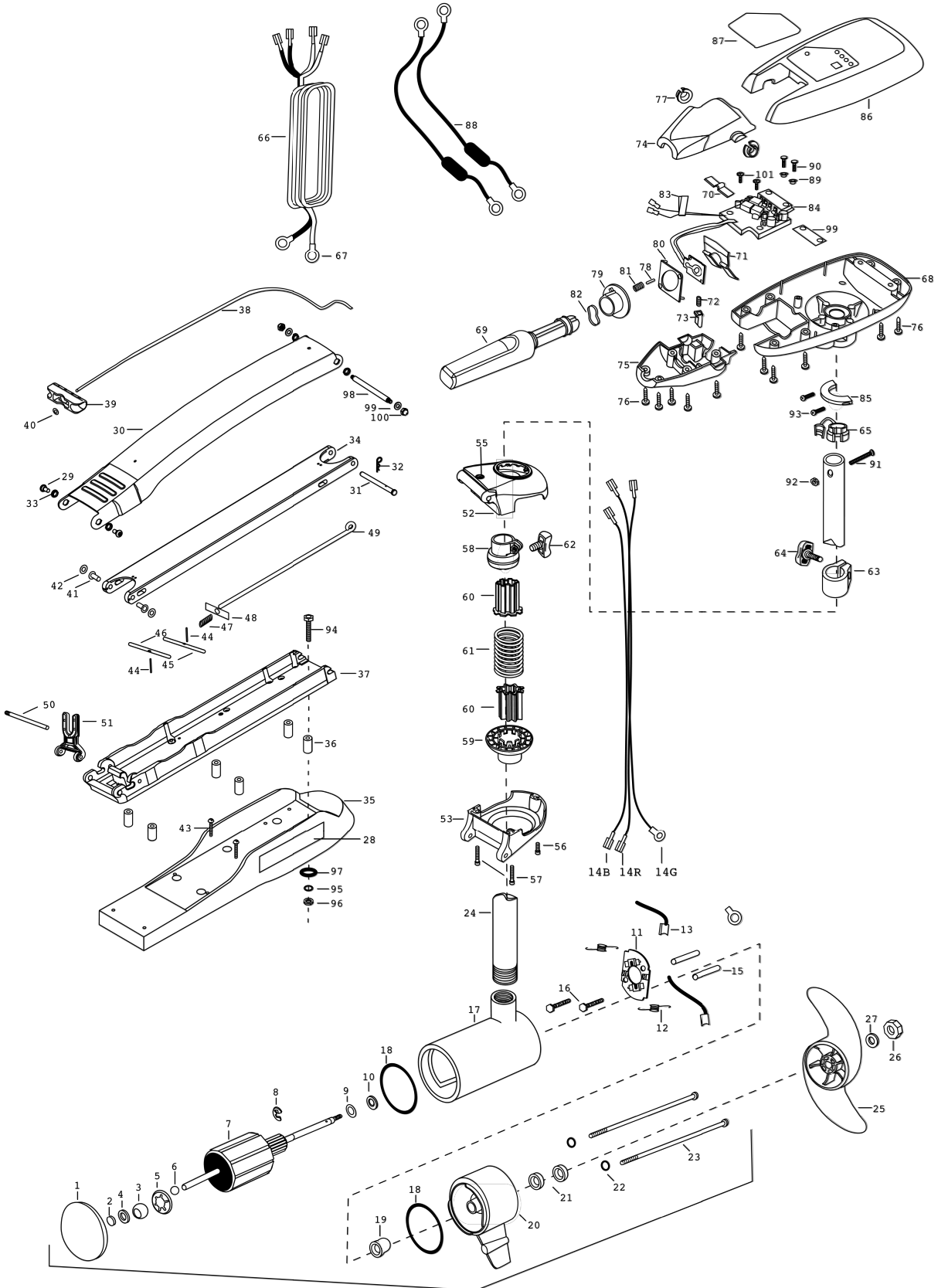
**Seal & Oring Kit P/N 2889460 * This item is part of an assembly. This item cannot be sold separately due to machining and/or assembly that is required.



MINN KOTA®

MAXXUM 101 HAND CONTROL

(ANCIEN MODÈLE)



MINN KOTA®

W W W . N A V I C O M . F R





MINN KOTA®

MAXXUM 101 HAND CONTROL

(ANCIEN MODÈLE)

| | | | | | | | | |
|-----|-----------|---------------------------------------|----|---------|---|-----|---------|---|
| 1 | 2-400-160 | PLAIN END HOUSING ASSEMBLY | 33 | 2293501 | BUSHING, STAINLESS STEEL [4.EA] | 68 | 2062592 | CONTROL BOX,FW,.725 BORE |
| 2 | 303-043 | THRUST DISC- METAL | 34 | 2774315 | ARM-LOWER ASSEMBLY STD,FW,EXT INCL 38-40, 44-49 | 69 | 2990914 | HANDLE ASSEMBLY W/O U-JOINT |
| 3 | 144-021 | BEARING -SPHERICAL | 35 | 2263912 | MOTOR REST (STD) FW | 70 | 2302742 | SPRING-DETENT(OFF) |
| 4 | 991-040 | WASHER FELT | 36 | 2261505 | SPACER, MOTOR REST [6.EA] | 71 | 2302743 | SPRING-DETENT,HANDLE-TILT |
| 5 | 784-025 | BEARING RETAINER | 37 | 2773987 | BOWPLATE W/INSERT STD FW | 72 | 2302745 | SPRING-RELEASE BUTTON |
| 6 | 116-025 | BALL -STEEL | 38 | 2251601 | ROPE (40"), MAXXUM MOUNT | 73 | 2303720 | RELEASE BUTTON-HANDLE |
| 7 | 2-100-110 | ARMATURE ASSEMBLY | 39 | 2150400 | PULL-GRIP | 74 | 2060409 | HANDLE (TOP HALF)/MAXIMIZE |
| 8 | 788-040 | RETAINING RING | 40 | 2151700 | WASHER-EYE SHAFT(.562 OD) | 75 | 2060415 | HANDLE (LOWER HALF) |
| 9 | 990-051 | WASHER-THRUST, STEEL | 41 | 2261708 | WASHER-3/8"X1/2"X.010 (S/S)[2.EA] | 76 | 2303412 | SCREW-6-20 X 5/8 SELF TAP [11.EA] |
| 10 | 990-052 | WASHER- NYLATRON | 42 | 2236000 | BEARING NYLINER [2.EA] | 77 | 2060005 | BEARING-HANDLE PIVOT [2.EA] |
| 11 | 738-004 | BRUSH PLATE -4" TERMINAL | 43 | 2263434 | SCREW, 8-18 X 1" PPH S/S [2.EA] | 78 | 2302600 | PIN-ACTUATOR |
| 12 | 975-041 | SPRING -TORSION [2.EA] | 44 | 2152610 | SPRING-PIN (LOCKBAR) [2.EA] | 79 | 2302850 | ACTUATOR-CAM |
| 13 | 188-094 | BRUSH W/TERMINAL [2.EA] | 45 | 2233600 | LOCK BAR-(BOW MOUNT) | 80 | 2302851 | ACTUATOR-FWD/REV |
| 14B | 640-017 | BRUSH WIRE-BLK | 46 | 2233602 | LOCK BAR, REAR - ZINC | 81 | 2302740 | SPRING-(ACTUATOR) |
| 14R | 640-121 | BRUSH WIRE- RED | 47 | 2152700 | SPRING-(LOCKBAR)/CAD,PLTD | 82 | 2302741 | SPRING-CAM(ZINC PLTD STEEL) |
| 14G | 640- 303 | GROUND WIRE- GREEN | 48 | 2262703 | SPRING STOP MAXXUM | 83 | 2305810 | TAG-AIR SWITCH LEADS |
| 15 | 973-025 | SPACER -BRUSH PLATE [2.EA] | 49 | 2153602 | EYE SHAFT-2LOCKBAR STD SS | 84 | 2264013 | CTRL BOARD ASSEMBLY-RT 101/H |
| 16 | 830-027 | SCREW -SELF TRDED 10-32 X 2" [2.EA] | 50 | 2260506 | HINGE-PIN (HEADLESS)ZINC | 85 | 2061515 | COLLAR-CTRL BOX (FRS-WTR) |
| 17 | 431-110 | HOUSING ASSEMBLY- CENTER | 51 | 2293811 | YOKE MAX MNT-POLYPROPYLENE | 86 | 2260290 | CTRL BOX CVR- BLK |
| 18 | 701-043 | **O-RING [2.EA] | 52 | 2772315 | BAG ASSEMBLY MAX STABILIZER KIT | 87 | 2265622 | DECAL-COVER, MAX101/H |
| 19 | 144-017 | BEARING -FLANGE (SERVICE ONLY) | 53 | 2994833 | BOWGUARD ASSEMBLY-HAND CTRL | 88 | 2998200 | CIRCUIT BREAKER ASSEMBLY*36V-101 [2.EA] |
| 20 | 2-300-160 | BRUSH END HOUSING ASSEMBLY | 54 | 2991866 | BRACKET BASE TOP/EYELET ASSEMBLY | 89 | 2301710 | WASHER-INSUL.(TRANSFBAR) [2.EA] |
| 21 | 880-025 | **SEAL [2.EA] | 55 | 2772352 | BRACKET BOTTOM/BEARING ASSEMBLY | 90 | 2372100 | SCREW-8-18 X 5/8 THD [2.EA] |
| 22 | 701-009 | **O-RING -THRU BOLT [2.EA] | 56 | 2263402 | SCREW 1/4-20 X 3/4"(ZINC) | 91 | 2383407 | SCREW-10-24 X 2" PPH ZINC |
| 23 | 830-096 | THRU BOLT 12-24 X 11.56" SS [2.EA] | 57 | 2263404 | SCREW-1/4-20 X 2 1/4 SCHP SS [2.EA] | 92 | 2383124 | NUT-10-24 NYLOCK ZINC PLT |
| 24 | 2032068 | MTR ASSEMBLY 36V 4" VARS [INCL. 1-23] | 58 | 2261525 | SPRING-SLEEVE UPPER | 93 | 2223430 | SCREW-#8 X 3/4 PPH TYPE 25 SS [2.EA] |
| 25 | 1378130 | TUBE-CARBON COMPOSITE 52" | 59 | 2261535 | SPRING-SLEEVE, LOWER | 94 | 2263431 | BAG ASSEMBLY-MAXXUM |
| 26 | 2093101 | PROPELLER KIT INCL. 25-27 | 60 | 2264702 | INSERT-TUBE (2 PER) B.MNT [2.EA] | 95 | 2261713 | SCREW 1/4-20 X 3.5 PPH [6.EA] |
| 27 | 2091701 | PROPELLER- W/WEDGE | 61 | 2262704 | SPRING, BOWGUARD, HAND CT | 96 | 2263103 | WASHER-1/4 FLAT S/S [6.EA] |
| 28 | 2093101 | NUT-PROP/NYLOC (LARGE) MAX101 | 62 | 2011365 | SCREW-COLLAR/NEW KNOB | 97 | 2301720 | NUT-1/4-20 NYLOCK-JAM S/S [6.EA] |
| 29 | 2263500 | DECAL- MAX MOTOR REST [2.EA] | 63 | 2031520 | COLLAR-DEPTH (W/O INSERT) | 98 | 2262605 | WASHER MOUNTING* RUBBER [6.EA] |
| 30 | 2264241 | MOUNT,BOW ASSEMBLY FW STD | 64 | 2011365 | SCREW-COLLAR/NEW KNOB | 99 | 2261722 | PIN BWGRD UPPER THREADED ZP |
| 31 | 2262607 | BOLT, SHOULDER (MAXXUM) [2.ea] | 65 | 2052900 | STRAIN RELIEF-C.CORD/SP.C | 100 | 2223100 | WASHER 1/4 FLAT ZINC [2.EA] |
| 32 | 2260801 | ARM-UPPER FW,STD | 66 | 2090600 | LEADWIRE (10 GA) RINGS | 101 | 2301310 | NUT- TENSION 5/16-18 SS [2.EA] |
| | | PIN- CLEVIS ZP MAX BWGRD | 67 | 2020700 | TERMINAL RING.3/8" [2.EA] | | | SCREW- #8-18X1/2 SS [2.EA] |
| | | CLIP-SPRING ZP MAX BWGRD | | | | | | |

**Seal & Oring Kit P/N 2889460

* This item is part of an assembly. This item cannot be sold separately due to machining and /or assembly that is required.