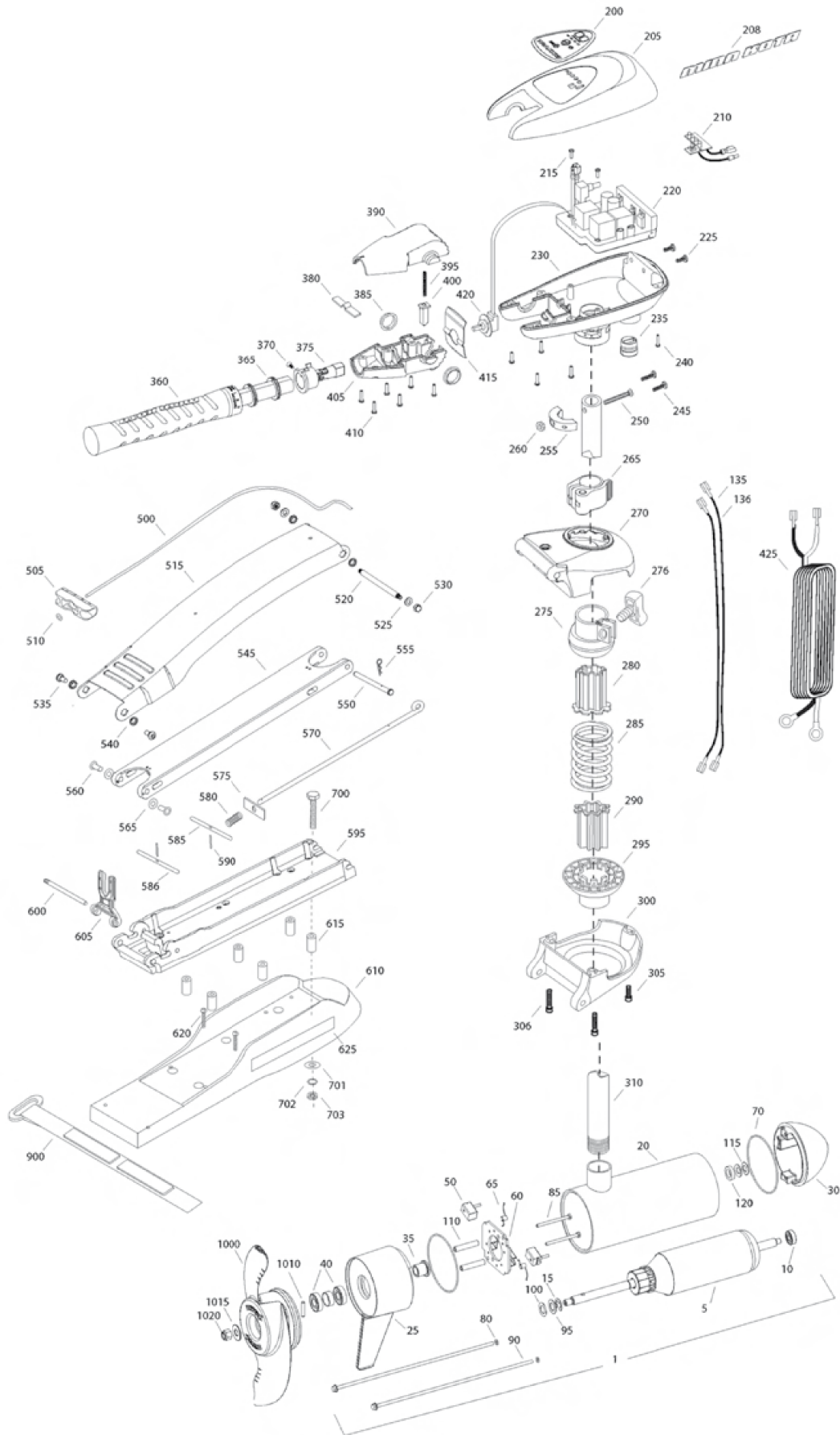


MAX 80 HAND CONTROL
(ANCIEN MODÈLE)





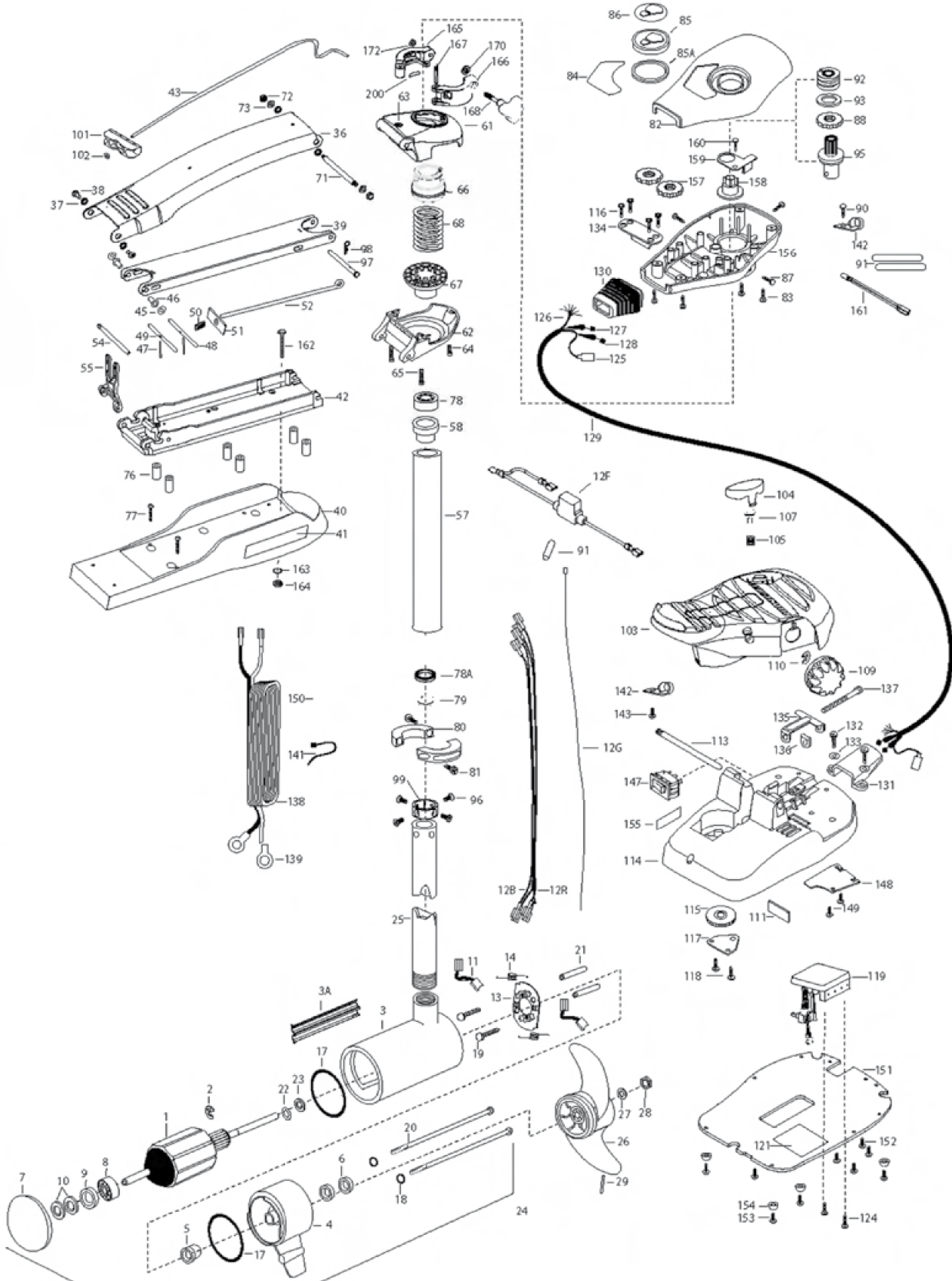
MINN KOTA®

MAX 80 HAND CONTROL
(ANCIEN MODÈLE)

Item	P/N	Description	Qty	Item	P/N	Description	Qty	Item	P/N	Description	Qty
1	2316217	24V Motor 52" FW	1					900	2263804	Strap, hold down	1
5	2-100-214	Armature assembly	1								
10	140-010	Bearing	1								
15	788-040	Retaining ring	1	2990957	Handle assy, VARS [360-410]	1					
20	2-200-160	Center housing assembly	1	360 2990456	Grip/handle assy, VARS [360-375]	2					
25	2-300-160	Brush end housing assembly	1	365 2060015	Bearing, handle	2					
30	421-276	Plain end housing assembly STD	1	370 2063405	Screw, #6 PFH SS	1					
35	144-017	Flange bearing	1	375 288-092	Yoke / spider assy, VARS	1					
40	880-025	Seal	2	380 2302742	Spring, detent, off	1					
50	188-094	Brush	2	385 2060005	Bearing, handle pivot	2					
60	9-738-004	Brush plate assembly	1	390 2060900	Handle pivot, top	1					
65	975-041	Brush spring	2	395 2302745	Spring, release button	1					
70	701-043	O-ring, thru-bolt	2	400 2063700	Button, release	1					
85	830-027	Screw, 10-32 x 2	2	405 2060905	Handle pivot, bottom	1					
90	830-094	Thru-bolt	2	410 2303412	Screw, #6 x 5/8 SS	6					
95	990-051	Washer, steel	2	415 2062715	Spring, handle pivot	1					
100	990-052	Washer, nylontron	2	420 2061700	Washer, pot holder	1					
110	973-025	Spacer, brush plate	2	425 2992523	Leadwire assy	1					
115	992-010	Washer, Belleville	2								
120	992-045	Spacer, thrust	1								
135	640-018	Leadwire, black	1								
136	640-123	Leadwire, red	1								
		Seal and O-ring Kit									
		Decal, c-box cover									
200	2185615	Decal, c-box cover	1								
205	2060295	C-box cover	1								
208	2065665	Decal - MinnKota	2								
210	2074071	Battery meter, 24v FW	1								
215	3043427	Screw, #8 x 7/8 SS	2								
220	2184007	Control board, 24/36v	1								
225	2303434	Screw, #8-30 x 5/8 SS	2								
230	2062501	Control box, VARS, FW	1								
235	2062905	Strain relief	1								
240	2303412	Screw, #6 x 5/8 SS	6								
245	2263434	Screw, #8 x 1 SS	2								
250	2383407	Screw, #10-24 x 2 SS	1								
255	2061515	Collar, c-box	1								
260	2383124	Nut, 10-24, nylock, SS	1								
265	2991521	Cam lock/depth collar assy	1								
		Bowguard Assembly [270-306]									
		Bracket, top									
270	2261976	Bracket, top	1								
275	2261525	Spring sleeve, Upper	1								
276	2011365	Knob, collar	1								
280	2264702	Tube insert, bowmount	2								
285	2262711	Spring, bowguard	1								
295	2261535	Spring sleeve, Lower	1								
300	2991775	Bracket Assy, bottom	1								
305	2263423	Screw, 5/16 x 1" SHCS ZP	1								
306	2263425	Screw, 5/16 x 2.5" SHCS ZP	2								
310	2032068	Tube Composite 52"	1								

* This item is part of an assembly. This item cannot be sold separately due to machining and /or assembly that is required.

MAX 80 - 42 INCHES (ANCIEN MODÈLE)





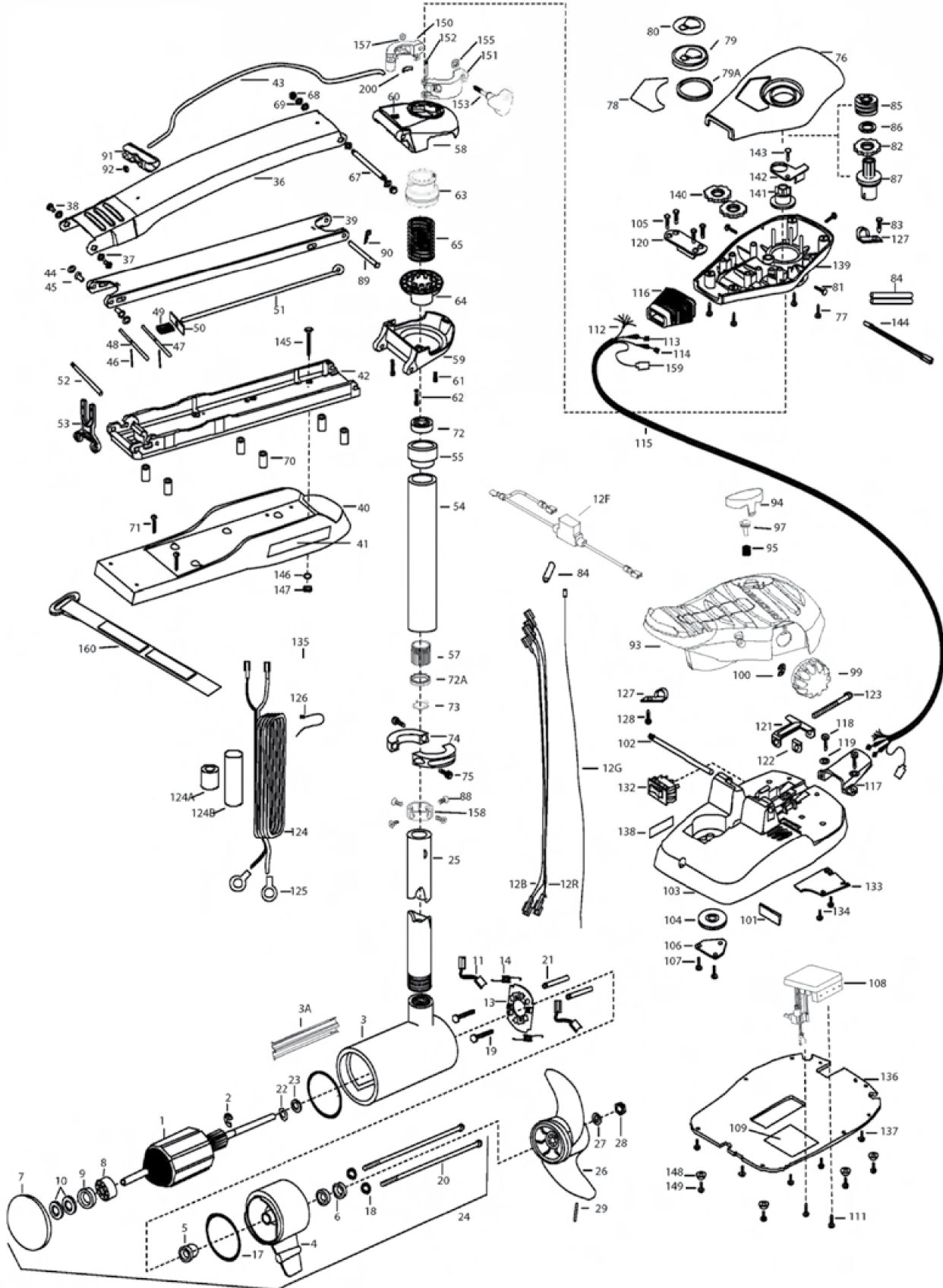
MINN KOTA®

MAX 80 - 42 INCHES
(ANCIEN MODÈLE)

1	2-100-214	ARMATURE ASSEMBLY 24V 4"	57	2272085	TUBE - OUTER 21" 4 HOLES [FOR 42"]	118	2301310	SCREW-8-18 X 1/2 SS [2.EA]
2	788-040	RETAINING RING	2272087	2272087	TUBE - OUTER 18" 4 HOLES [FOR 36"]	119	2264054	CONTROL BOARD ASSY 24-36V MAX
3	2-200-160	HOUSING ASSEMBLY CENTER 4.0	58	2266260	BEARING RACE-(565T)	121	2365107	INSULATING PAD 2.3 X 3.2
3A	582-013	CLIP, RETAINING, US2				124	2263455	SCREW, 10-32 X 1/2 [2.EA]
4	2-300-160	BRUSH END HOUSING ASSEMBLY				125	2211410	EXTENSION CABLE US2
5	144-017	BEARING- FLANGE (SERVICE ONLY)				126	2261220	WIRE HARNESS AT & MAX 82.5
6	880-025	SEAL [2.EA]				127	2267505	CABLE ASSEMBLY-RIGHT 5'
7	421-276	PLAIN END HOUSING ASSEMBLY				128	2267515	CABLE ASSEMBLY-LEFT 5'
7	9421-284	PLAIN END HOUSING ASSEMBLY 4.0 US2				129	2265430	CABLE JACKET 5'
8	140-010	BALL BEARING	65	2263425	SCREW 5/16-18 X 1" SHCS ZINC	130	2265110	BOOT-CONTROL BOX
9	990-045	THRUST SPACER	66	2071541	SPRING-SLEEVE UPPER	131	2265115	BOOT-FOOT PEDAL BASE
10	992-010	SPRING WASHER [2.EA]	67	2071535	SPRING SLEEVE, LOWER	132	2372100	SCREW-8-18 X 5/8 THD SS [2.EA]
11	186-094	BRUSH [2.EA]	68	2262712	SPRING, BOWGUARD, NIK PL	133	2261714	WASHER-MAXXUM PT PDL [2.EA]
12B	640-013	BRUSH LEAD BLK 10 AWG 51-1/2	71	2262605	PIN- THREADED	134	2261901	BRACKET-CONDUIT AT/MAX
12R	640-117	BRUSH LEAD RED 10 AWG 53	72	2223100	NUT- NYLOC [2.EA]	135	2263210	BRACKET-CONDUIT AT/MAX
12G	640-315	GROUND WIRE 42" (US MOTORS ONLY)	73	9908236	WASHER [2.EA]	136	2263401	BRACKET-CONDUIT ADJUSTMENT
12F	2218200	FUSE HOLDER (US MOTORS ONLY)				137	2263463	NYLOCK KEEPER
13	738-004	BRUSH PLATE 4"				138	2261233	SCREW-1/4-20 X 2 STL PPH
14	975-041	SPRING- TORSION [2.EA]	*76	2261505	BAG ASSEMBLY	139	2020700	LEADWIRE VARIABLE
17	701-043	O-RING [2.EA]	*77	2263434	SCREW, 8-18 X 1 PPH SS [2.EA]	141	2256300	TERMINAL RING, 3/8 [2.EA]
18	701-009	O-RING - THRU BOLT [2.EA]	78	2266000	BEARING, BALL-STEEL	142	2256300	TIE WRAP-5.5 BLACK
19	830-027	SCREW - SELF THREAD 10-32X2 [2.EA]	78A	2266116	BEARING, CARTRIDGE	142	2263201	CLAMP WIRE HARNESS MICRO [2.EA]
20	830-094	THRU BOLT 12-24X10.31 [2.EA]	79	2266001	BEARING, SPLIT RING	143	2332103	SCREW-6-20 X 3/8 THD SS
21	973-025	SPACER- BRUSH PLATE [2.EA]	80	2771617	COLLAR HALF-ZINC-2 PER- KIT	147	2254031	SWITCH-MOM/OFF/COM
22	990-051	WASHER- STEEL	81	2260283	CONTROL BOX COVER-MAXXUM	148	2266412	SWITCH PLATE, PT PEDAL
23	990-052	WASHER- NYLATRON	83	2372100	SCREW-8-18 X 5/8 THD [4.EA]	149	2332103	SCREW-6-20 X 3/8 THD SS [2.EA]
24	2326216	MOTOR ASSEMBLY 24V 4" VARS	84	2265644	DECAL COVER, MAXXUM 80	151	2264511	TIE WRAP-5.5 WHITE [2.EA]
25	2032003	MOTOR ASSEMBLY 24V 4" VARS- SONAR	85	2260150	DECAL COVER, MAXXUM 80 US2	152	9953104	BOTTOM PLATE, MAXXUM PT
	2032001	TUBE COMP W/4 HOLE 42"	85A	2261733	POINTER DISC TRANSLCNT RED	153	2263455	SCREW-8 X 1/2 PPH SS [5.EA]
	1378132	PROPELLER KIT	86	2265800	DECAL-INDICATOR	154	2265126	SCREW #12 [4.EA]
26	2331160	PROPELLER W/WEDGE 2	87	2053414	SCREW-#8-32 X 1/2 TRI-LOBE [3.EA]	155	2266610	BUMPER [4.EA]
27	2091701	WASHER-PROP LARGE	88	2267800	GEAR-INDICATOR	156	2262535	DECAL-ON/OFF SWITCH
28	2093101	PIN-DRIVE SS	90	2372100	SCREW-8-18 X 5/8 SS	157	2267800	CONTROL BOX-PLASTIC AT'S
29	2262658	MOUNT,BOW ASSY, FW STD, W/O BGRD	91	2355410	SHRINK TUBE-3/8 OD X 2- [3.EA]	158	2262220	GEAR-INDICATOR [2.EA]
	2991840	ARM UPPER-FW STD	92	2232360	PULLEY-CABLE DRUM	159	2261905	INDICATOR-DRIVE
36	2264241	BUSHING, STAINLESS STEEL [4.EA]	93	2261730	WASHER-NYLON	160	2301310	BRACKET/INDICATOR
37	2293501	BOLT, SHOULDER MAXXUM [2.EA]	95	2998247	PINION/RACE ASSEMBLY	161	2264015	SCREW-8-18 X 1/2 SS
38	2263500	ARM-LOWER ASSEMBLY,STD,FW,EXT	96	2223468	SCREW-8-32 X 7/16 ZN PL [4.EA]			LIGHT/INDICATOR
39	2774315	MOTOR REST STD MAXXUM	97	2262607	PIN- CLEVIS ZN	*162	2263431	BAG ASSEMBLY-MAXXUM
40	2263912	DECAL-MAXXUM,MOTOR REST [2.EA]	98	2260805	SPLIT COLLAR	*163	2261713	SCREW 1/4-20 X 3.5 PPH [6.EA]
41	2265514	ROPE 40" MAXXUM MOUNT	99	2071560	PULL-GRIP	*164	2263103	WASHER-1/4 FLAT S/S [6.EA]
42	2773987	WASHER-3/8X1/2X.016 [2.EA]	101	2150400	WASHER-EYE SHAFT .562 OD			CLAMP COLLAR ASSEMBLY
43	2251601	BEARING NYLONER- [2.EA]	102	2151700	FOOT PEDAL/PLUG ASSEMBLY	165	2071550	CLAMP COLLAR "A"
45	2261708	SPRING-PIN LOCKBAR [2.EA]	103	2994496	PUSH-BUTTON MAGNET ASSEMBLY	166	2071555	CLAMP COLLAR "B"
46	2267318	LOCK BAR- BOW MOUNT	104	2993705	SPRING-LOWER PEDAL SS	167	2072621	PIN-KNURLED
47	2152610	LOCK BAR- REAR ZINC	105	2302732	CLIP, REED SWITCH	168	2281505	KNOB-CLAMP COLLAR
48	2233600	SPRING-LOCKBAR CAD.PLT	107	2260810	E-RING TRU-ARC#5133-43	170	2071718	WASHER #10 NYLON RETAINING
50	2152700	EYE SHAFT-2LOCKBAR STD-PLTD	109	2280115	PLATE - TENSION SCREW FTPED.	172	2073102	NUT - HEX 1/4 - 28 SS
51	2262703	HINGE-PIN HEADLESS ZINC	*111	2263000	PIN-PIVOT AT PT PDL	200	2075120	URETHANE PAD
52	2153602	YOKE:MAX MNT-POLYPROPYLENE	113	2260511	FT PEDAL BASE/PIN ASSEMBLY			
54	2260506	TUBE W/BEARING RACE ASSEMBLY 42"	114	2274550	PULLEY- FOOT PEDAL			
55	2293811	TUBE W/BEARING RACE ASSEMBLY 36"	115	2272301	SCREW- 8X3/4 PPH TYPE 25 SS [4.EA]			
	2772085		116	2223430	COVER-PULLEY STAMPING			
	2772087		117	2266400				

* This item is part of an assembly. This item cannot be sold separately due to machining and /or assembly that is required.

MAX 80 - 52 INCHES (ANCIEN MODÈLE)





MINN KOTA®

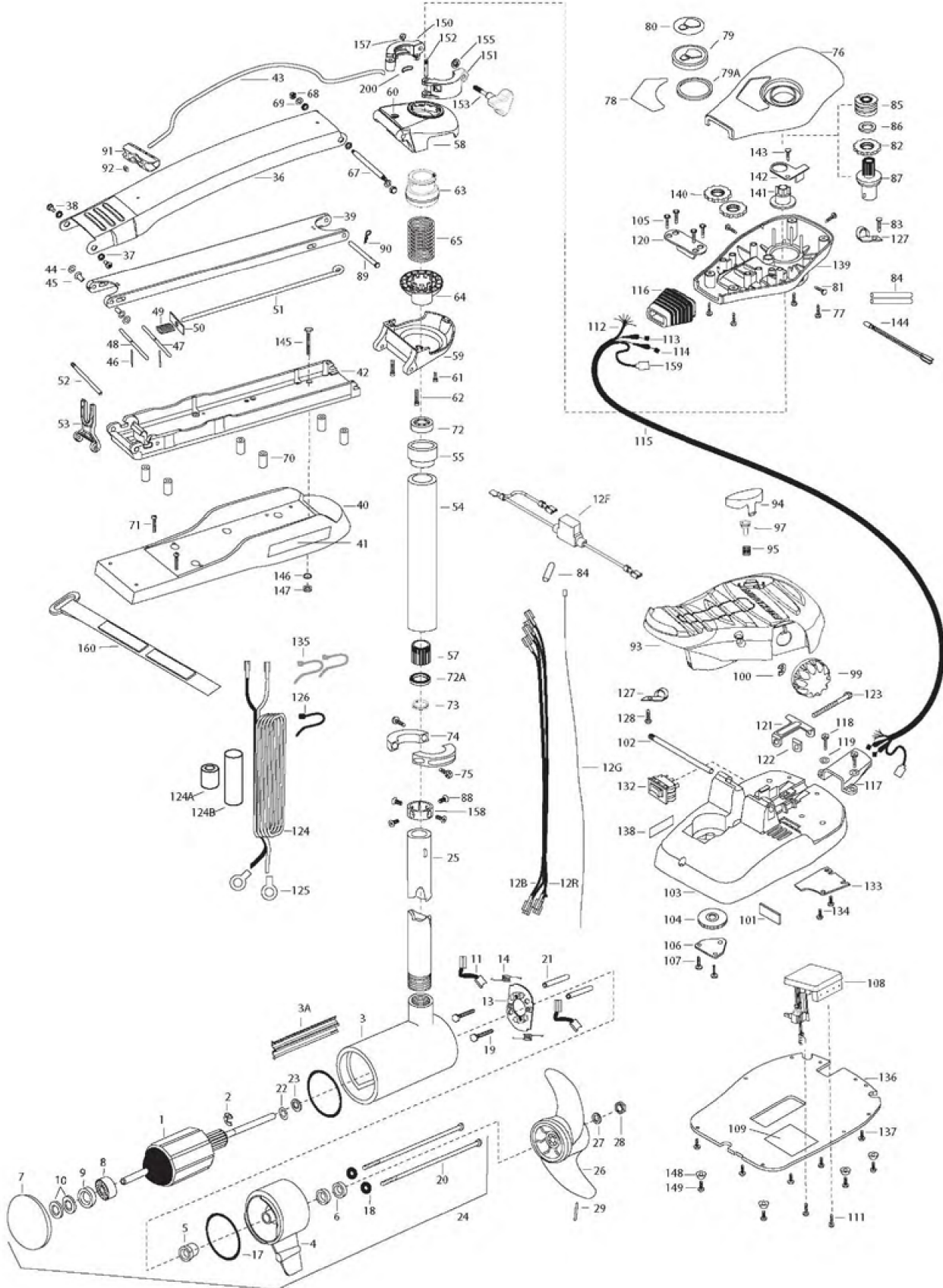
MAX 80 - 52 INCHES

(ANCIEN MODÈLE)

1	2-100-214	ARMATURE ASSEMBLY 24V 4"	51	2159604	EYE SHAFT-2 LOCKBAR LG-PLTD	106	2266400	COVER-PULLEY STAMPING
2	788-040	RETAINING RING	52	2260506	HINGE-PIN HEADLESS ZINC	107	2301310	SCREW-8-18 X 1/2 SS [2.EA]
3	431-160	CENTER HOUSING ASSEMBLY 4.0 TXT	53	2293811	YOKE MAX MNT-PPROPYLENE	108	2264054	CONTROL BOARD ASSY 24-36V MAX
3A	582-013	CLIP, RETAINING, US2	■	2772087	TUBE W/BEARING RACE ASSEMBLY 34"	109	2365107	INSULATING PAD 2.3 X 3.2
4	2-300-160	BRUSH END HOUSING ASSEMBLY	54	2772086	TUBE W/BEARING RACE ASSEMBLY 24"	111	2263455	SCREW, 10-32 X 1/2 [2.EA]
5	144-017	BEARING-FLANGE (SERVICE ONLY)	54	2772087	TUBE OUTER 34" 62	112	2261220	WIRE HARNESS AT & MAX 82.5
6	880-025	SEAL [2EA]	54	2727086	TUBE OUTER 24" 48"-52"	113	2267505	CABLE ASSEMBLY-RIGHT 5'
7	421-276	PLAIN END HOUSING ASSEMBLY	55	2266260	BEARING RACE-(5651)	114	2267515	CABLE ASSEMBLY-LEFT 5'
8	9421-284	PLAIN END HOUSING ASSEMBLY US2 42"	57	2267307	BUSHING, OUTER TUBE	115	2265430	CABLE JACKET 5'
9	9421-285	PLAIN END HOUSING ASSEMBLY US2 52"	■	2991763	BOWGUARD ASSEMBLY-FT CTRL, MAX 62	116	2265110	BOOT-CONTROL BOX
9A	9421-286	PLAIN END HOUSING ASSEMBLY US2 62"	■	2991762	BOWGUARD ASSEMBLY-FT CTRL, MAX 52	117	2265115	BOOT-FOOT PEDAL BASE
10	990-045	BALL BEARING	58	2772319	BRACKET BASE TOPEYELET ASSEMBLY	118	2372100	SCREW-8-18 X 5/8 THD SS [2.EA]
11	186-094	THRUST WASHER	59	2991770	BRKT BOTTOM/BEARING FW ASSEMBLY 62	119	2261714	WASHER-MAXXUM PT PDL [2.EA]
12B	640-024	SPRING WASHER [2.EA]	59	2991771	BRKT BOTTOM/BEARING FW ASSEMBLY 52	120	2261901	BRACKET-CONDUIT AT/MAX
12C	640-131	BRUSH [2EA]	60	2772352	EYELET KIT - ROPE	121	2263210	BRACKET-CONDUIT ADJUSTMENT
12G	640-315	LEADWIRE-BLACK 10 AWG 79"	61	2263423	SCREW 5/16-18 X 1" SHCS ZINC	122	2263104	NYLOCK KEEPER
13	640-316	LEADWIRE-RED 10 AWG 80 1/2"	62	2263425	SCREW 5/16-20 X 2-1/2" SHCS [2.EA]	122	2263466	SCREW-1/4-20 X 2 STL PPH
14	640-317	GROUND WIRE 42" (US MOTORS ONLY)	63	2071541	SPRING-SLEEVE UPPER	124	2261233	LEADWIRE VARIABLE
15	640-317	GROUND WIRE 52" (US MOTORS ONLY)	63	2071535	SPRING-SLEEVE LOWER	124A	2307310	BEAD - FERRITE [2EA] (CE MODELS ONLY)
16	2218200	FUSE HOLDER (US MOTORS ONLY)	65	2262712	SPRING, BOWGUARD, FC PAINTED	124B	2075401	HEAT SHRINK 1" O.D. X 3.5"
17	975-041	BRUSH PLATE 4"	67	2262605	PIN- THREADED	125	2020700	TERMINAL RING, 3/8 [2.EA]
18	701-009	SPRING-TORSION [2.EA]	68	2223100	NUT - NYLOC SS [2.EA]	126	2265300	TIE WRAP-5.5 BLACK
19	701-043	O-RING - THRU BOLT [2.EA]	69	9908236	WASHER ZN PL [2.EA]	127	2263201	CLAMP WIRE HARNESS MICRO [2.EA]
20	830-027	SCREW - SELF THREAD 10-32X2 [2.EA]	■	2994832	BAG ASSEMBLY	128	2332103	SCREW-6-20 X 3/8 THD SS
21	973-025	THR BOLT 12-24X10.31 [2.EA]	*70	2261505	SPACER, MOTOR REST [6EA]	132	2254031	SWITCH-MOM/OFF/CON
22	980-051	WASHER-STEEL	*71	2263434	SCREW, 8-18 X 1 PPH SS [2.EA]	133	2266412	SWITCH PLATE, PT PEDAL
23	990-052	WASHER-NYLATRON	72	2266116	BEARING, BALL-STEEL	134	2332103	SCREW-6-20 X 3/8 THD SS [2.EA]
24	2316216	MOTOR ASSEMBLY 24V 4" VARS TXT 42"	73	2266001	BEARING, SPLIT RING	135	2256301	TIE WRAP-5.5 WHITE [2.EA]
25	2316217	MOTOR ASSEMBLY 24V 4" VARS TXT 52"	74	2261622	COLLAR HALF-PAINTED-2 PER- KIT	136	2264511	BOTTOM PLATE, MAXXUM PT
26	2316219	MOTOR ASSEMBLY 24V 4" VARS TXT 62"	75	2263453	SCREW-1/4-20 X 3/4 SHCS SS [2.EA]	137	2372100	SCREW-8 X 1/2 SS [5.EA]
27	2326220	MOTOR ASSEMBLY 24V 4" VARS 42" SONAR	76	2260283	CONTROL BOX COVER-MAXXUM	138	2266610	DECAL-ON/OFF SWITCH
28	2326221	MOTOR ASSEMBLY 24V 4" VARS 52" SONAR	77	2372100	SCREW-8-18 X 5/8 THD [4.EA]	139	2262535	CONTROL BOX-PLASTIC
29	2326242	MOTOR ASSEMBLY 24V 4" VARS 62" SONAR	78	2265644	DECAL COVER, MAXXUM 80	140	2262220	GEAR-INDICATOR [2.EA]
30	2032007	TUBE COMP W/4 HOLE 62"	79	2260150	DECAL COVER, MAXXUM 80 US2	142	2261905	BRACKET/INDICATOR
31	2032006	TUBE COMP W/4 HOLE 52"	79A	2261733	WASHER-FOAM, INDICATOR	143	2301310	SCREW-8-18 X 1/2 SS
32	1378132	PROPELLER KIT	80	2053414	DECAL-INDICATOR	144	2264015	LIGHT/INDICATOR
33	2091701	WASHER-PROP LARGE	81	2265800	SCREW #8-32 X 1/2 TRI-LOBE [3.EA]	■	2994830	BAG ASSEMBLY-MAXXUM
34	2063101	NUT-PROP NYLOCK SS	82	2267800	GEAR-INDICATOR	*146	2263431	SCREW 1/4-20 X 3.5 PPH [6.EA]
35	2262658	PIN-DRIVE SS	83	2301310	SCREW-8-18 X 5/8 SS	147	2261713	WASHER-1/4 FLAT S/S [6.EA]
36	2264246	ARM UPPER-FW LONG	84	2355410	SHRINK TUBE-3/8 OD X 2- [3.EA]	148	2265126	NUT-1/4-20 NYLOCK-JAM [6.EA]
37	2293501	BUSHING, STAINLESS STEEL [4.EA]	85	2232360	PULLEY-CABLE DRUM	149	2263455	SCREW #12 [4.EA]
38	2263300	BOLT, SHOULDER MAXXUM [2.EA]	86	2261730	WASHER-NYLON	■	2991550	CLAMP COLLAR ASSEMBLY
39	2274317	ARM-LOWER ASSEMBLY LG/FW EXT	87	2996247	PINION/RACE ASSEMBLY	150	2071550	CLAMP COLLAR "A"
40	2263913	MOTOR REST LONG MAXXUM	88	2223468	SCREW-8-32 X 7/16 ZN PL [4.EA]	151	2071555	CLAMP COLLAR "B"
41	2265514	DECAL-MAXXUM/MOTOR REST [2.EA]	89	2262607	PIN-CLEVIS ZN	152	2072621	PIN-KNUJLED
42	2273986	BOWPLATE- FW LG MACH/INSERT	90	2260805	SPRING CLIP ZN	153	2281505	KNOB-CLAMP COLLAR
43	2251601	ROPE 40" MAXXUM MOUNT	91	2150400	PULL-GRIP	155	2073102	WASHER #10 NYLON RETAINING
44	2261708	WASHER-3/8X1/2X.010 SS [2.EA]	92	2151700	WASHER-EYE SHAFT .562 OD	157	2071718	NUT - HEX 1/4" - 28 SS
45	2267813	BEARING NYLINER- [2EA]	93	2664496	FOOT PEDAL/PLUG ASSEMBLY	158	2071560	SPLIT COLLAR
46	2152610	SPRING-PIN LOCKBAR [2.EA]	94	2993705	PUSH BUTTON / MAGNET ASSEMBLY	159	2211410	EXTENSION CABLE US2
47	2233600	LOCK BAR- BOW MOUNT	95	2302732	SPRING-LOWER PEDAL SS	160	2263804	STRAP - VELCRO 30.5"
48	2233602	LOCK BAR- REAR ZINC	97	2260810	CLIP, REED SWITCH	200	2075120	URETHANE PAD
49	2152700	SPRING-LOCKBAR CAD, PLT	99	2280115	KNOB-SPEED CONTROL VAR			
50	2262703	SPRING STOP	100	2263000	E-RING TRU-ARC#5133-43			

* This item is part of an assembly. This item cannot be sold separately due to machining and/or assembly that is required.

MAX 80 - 52 & 62 INCHES (ANCIEN MODÈLE)





MINN KOTA®

MAX 80 - 52 & 62 INCHES
(ANCIEN MODÈLE)

1	2-100-214	ARMA TURE ASSEMBLY 24V 4"	51	2153604	EYE SHAFT-2 LOCKBAR LG-PLTD	106	2266400	COVER-PULLEY STAMPING
2	788-040	RETAINING RING	52	2260506	HINGE-PIN HEADLESS ZINC	107	2301310	SCREW-8-18 X 1/2 SS [2.EA]
3	431-160	CENTER HOUSING ASSEMBLY 4.0 TXT	53	2293811	YOKE MAX MNT-POLYPROPYLENE	108	2264054	CONTROL BOARD ASSY 24-36V MAX
3A	582-013	CLIP, RETAINING US2	■	2772087	TUBE W/BEARING RACE ASSEMBLY 34"	109	2365107	INSULATING PAD 2.3 X 3.2
4	2-300-160	BRUSH END HOUSING ASSEMBLY	54	2772086	TUBE W/BEARING RACE ASSEMBLY 24"	111	2263455	SCREW, 10-32 X 1/2 [2.EA]
5	144-017	BEARING-FLANGE (SERVICE ONLY)	54	2272087	TUBE OUTER 34" 62	112	2261220	WIRE HARNESS AT & MAX 82.5
6	880-025	SEAL [2.EA]	54	2272086	TUBE OUTER 24" 48"-52"	113	2267505	CABLE ASSEMBLY-RIGHT 5'
7	421-276	PLAIN END HOUSING ASSEMBLY	55	2266260	BEARING RACE-(565T)	114	2267515	CABLE ASSEMBLY-LEFT 5'
8	9421-284	PLAIN END HOUSING ASSEMBLY US2 42"	57	2267307	BUSHING, OUTER TUBE	115	2265430	CABLE JACKET 5'
9	9421-285	PLAIN END HOUSING ASSEMBLY US2 52"	■	2991763	BOWGUARD ASSEMBLY-FT CTRL MAX 62	116	2265110	BOOT-CONTROL BOX
9A	9421-286	PLAIN END HOUSING ASSEMBLY US2 62"	58	2991762	BOWGUARD ASSEMBLY-FT CTRL MAX 52	117	2265115	BOOT-FOOT PEDAL BASE
10	140-010	BALL BEARING	58	2772319	BRACKET BASE TOP/EYELET ASSEMBLY	118	2372100	SCREW-8-18 X 5/8 THD SS [2.EA]
11	990-045	THRUST WASHER	59	2991770	BRKT BOT TOM/BEARING FW ASSEMBLY 62	119	2261714	WASHER-MAXXUM PT PDL [2.EA]
12	186-094	BRUSH [2.EA]	60	2772352	BRKT BOT TOM/BEARING FW ASSEMBLY 52	120	2261901	BRACKET-CONDUIT AT/MAX
12B	640-024	LEADWIRE-BLACK 10 AWG 79"	61	2263423	EYELET KIT - ROPE	121	2263210	BRACKET-CONDUIT ADJUSTMENT
12R	640-131	LEADWIRE-RED 10 AWG 80 1/2"	61	2263425	SCREW 5/16-20 X 2-1/2" SHCS [2.EA]	122	2263104	NYLOCK KEEPER
12G	640-315	GROUND WIRE 42" (US MOTORS ONLY)	62	2071541	SPRING-SLEEVE UPPER	123	2263466	SCREW-1/4-20 X 2 STL PPH
13	640-316	GROUND WIRE 52" (US MOTORS ONLY)	64	2071535	SPRING-SLEEVE LOWER	124	2261233	LEADWIRE VARIABLE
14	640-317	GROUND WIRE 62" (US MOTORS ONLY)	65	2262712	SPRING, BOWGUARD, FC PAINTED	124A	2307310	BEAD-FERRITE [2.EA] (CE MODELS ONLY)
15	2218200	FUSE HOLDER (US MOTORS ONLY)	67	2262605	PIN- THREADED	125	2020700	HEAT SHRINK 1.1" O.D. X 3.5"
16	738-040	BRUSH PLATE 4"	68	2261722	WASHER ZN PL [2.EA]	126	2263300	TIE WRAP-5.5 BLACK
17	701-009	O-RING -THRU BOLT [2.EA]	■	2994832	BAG ASSEMBLY	127	2263201	CLAMP WIRE HARNESS MICRO [2.EA]
18	701-043	O-RING [2.EA]	*71	2261505	SPACER, MOTOR REST [6.EA]	128	2332103	SCREW-6-20 X 3/8 THD SS
19	830-027	SCREW-SELF THREAD 10-32X2 [2.EA]	70	2263434	BEARING BALL-STEEL	132	2254031	SWITCH-MOM/OFF/CON
20	830-094	THRU BOLT 1/2-24X10.31 [2.EA]	72	2266011	BEARING CARTRIDGE	133	2266412	SWITCH PLATE, PT PEDAL
21	973-025	WASHER-STEEL	72A	2266116	BEARING, SPLIT RING	134	2332103	SWITCH PLATE, PT PEDAL
22	990-051	WASHER-STEEL	73	2266001	BEARING, SPLIT RING	135	2256301	TIE WRAP-5.5 WHITE [2.EA]
23	990-052	WASHER-NYLATRON	74	2261622	COLLAR HALF-PAINTED-2 PER-KIT	136	2264511	BOTTOM PLATE, MAXXUM PT
24	2316216	MOTOR ASSEMBLY 24V 4" VARS TXT 42"	75	2261622	COLLAR HALF-PAINTED-2 PER-KIT	137	2372100	SCREW-8 X 1/2 SS [5.EA]
25	2316217	MOTOR ASSEMBLY 24V 4" VARS TXT 52"	75	2263453	CONTROL BOX COVER-MAXXUM	138	2266610	DECAL-ON/OFF SWITCH
26	2316219	MOTOR ASSEMBLY 24V 4" VARS TXT 62"	76	2260283	CONTROL BOX COVER-MAXXUM	139	2262535	CONTROL BOX-PLASTIC
27	2326220	MOTOR ASSEMBLY 24V 4" VARS 42" SONAR	77	2372100	SCREW-8-18 X 5/8 THD [4.EA]	140	2267800	GEAR-INDICATOR [2.EA]
28	2326221	MOTOR ASSEMBLY 24V 4" VARS 52" SONAR	78	2265694	DECAL COVER, MAXXUM 80 US2	141	2262220	INDICATOR-DRIVE
29	2032007	MOTOR ASSEMBLY 24V 4" VARS 62" SONAR	79	2260150	POINTER DISC TRANSLUM RED	142	2261905	BRACKET/INDICATOR
30	2032006	TUBE COMP W/4 HOLE 62"	79A	2271733	WASHER-FOAM, INDICATOR	143	2301310	SCREW-8-18 X 1/2 SS
31	2032005	TUBE COMP W/4 HOLE 52"	80	2265800	DECAL-INDICATOR	144	2264015	LIGHT/INDICATOR
32	1378132	PROPELLER KIT	81	2053414	GEAR-INDICATOR	■	2994830	BAG ASSEMBLY-MAXXUM
33	2091701	WASHER-PROP LARGE	82	2267800	GEAR-INDICATOR	*145	2263431	SCREW 1/4-20 X 3.5 PPH [6.EA]
34	2093101	NUT/PROP NYLOCK SS	83	2301310	SHRINK TUBE-3/8 OD X 2- [3.EA]	*146	2261713	WASHER-1/4 FLAT 5/5 [6.EA]
35	2062658	PIN-DRIVE SS	85	2232360	PULLEY-CABLE DRUM	*147	2263103	NUT-1/4-20 NYLOCK-JAM [6.EA]
36	2991842	MOUNT/BOW ASSEMBLY FW 62 W/O BGRD	86	2261730	WASHER-NYLON	■	2991556	SCREW #12 [4.EA]
37	2264246	ARM UPPER-FW LONG	87	2996247	PINION/RACE ASSEMBLY	150	2071550	CLAMP COLLAR ASSEMBLY
38	2293501	BUSHING STAINLESS STEEL [4.EA]	88	2223468	SCREW-8-32 X 7/16 ZN PL [4.EA]	151	2071555	CLAMP COLLAR "A"
39	2774317	BOLT SHOULDER MAXXUM [2.EA]	89	2262607	SCREW-8-18 X 5/8 SS	152	2072621	CLAMP COLLAR "B"
40	2263913	ARM-LOWER ASSEMBLY/GFWEXT	90	2260805	PULL-GRIP	153	2281505	PIN-KNURLED
41	2265514	MOTOR REST LONG MAXXUM	91	2150400	WASHER-EYE SHAFT 5/62 OD	155	2071718	KNOB-CLAMP COLLAR
42	2773986	BOW PLATE-FW LG MACH/INSERT	92	2151700	FOOT PEDAL/PLUG ASSEMBLY	157	2073102	WASHER #10 NYLON RETAINING
43	2251601	ROPE 40" MAXXUM MOUNT	94	2993705	PUSH BUTTON / MAGNET ASSEMBLY	158	2071560	NUT - HEX 1/4 - 28 SS
44	2261708	WASHER-3/8X1/2X0.10 SS [2.EA]	95	2302732	SPRING-LOWER PEDAL SS	159	2211410	SPLIT COLLAR
45	2267813	BEARING NYLONER [2.EA]	97	2260810	CLIP, REED SWITCH	160	2263804	EXTENSION CABLE US2
46	2152610	SPRING-PIN LOCKBAR [2.EA]	99	2280115	KNOB-SPEED CONTROL VAR	200	2075120	STRAP - VELCRO 30.5"
47	2233600	LOCK BAR- BOW MOUNT	100	2263000	E-RING TRU-ARC #5133-43			URETHANE PAD
48	2233602	LOCK BAR- REAR ZINC	101	2266413	PLATE - TENSION SCREW FT PED.			
49	2152700	SPRING-LOCKBAR CAD-PLT	102	2260511	PIN-PIVOT A/T PT PDL			
50	2262703	SPRING STOP	103	2274550	FT PEDAL BASE/PIN ASSEMBLY			
			104	2262301	PULLEY- FOOT PEDAL			
			105	2223430	SCREW #8X3/4 PPH TYPE 25 SS [4.EA]			

* This item is part of an assembly. This item cannot be sold separately due to machining and /or assembly that is required.