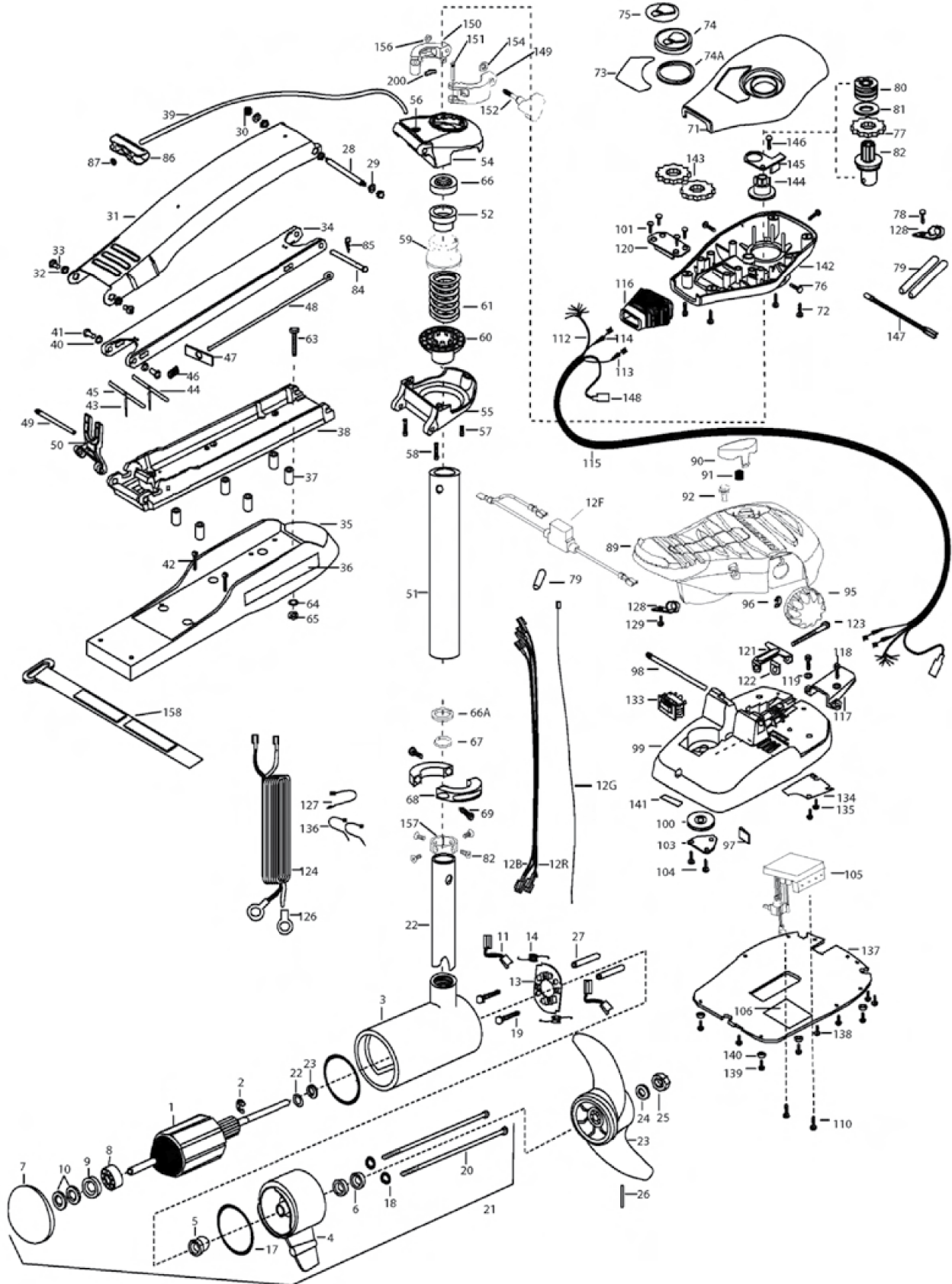


MAX 70 RANGER (ANCIEN MODÈLE)





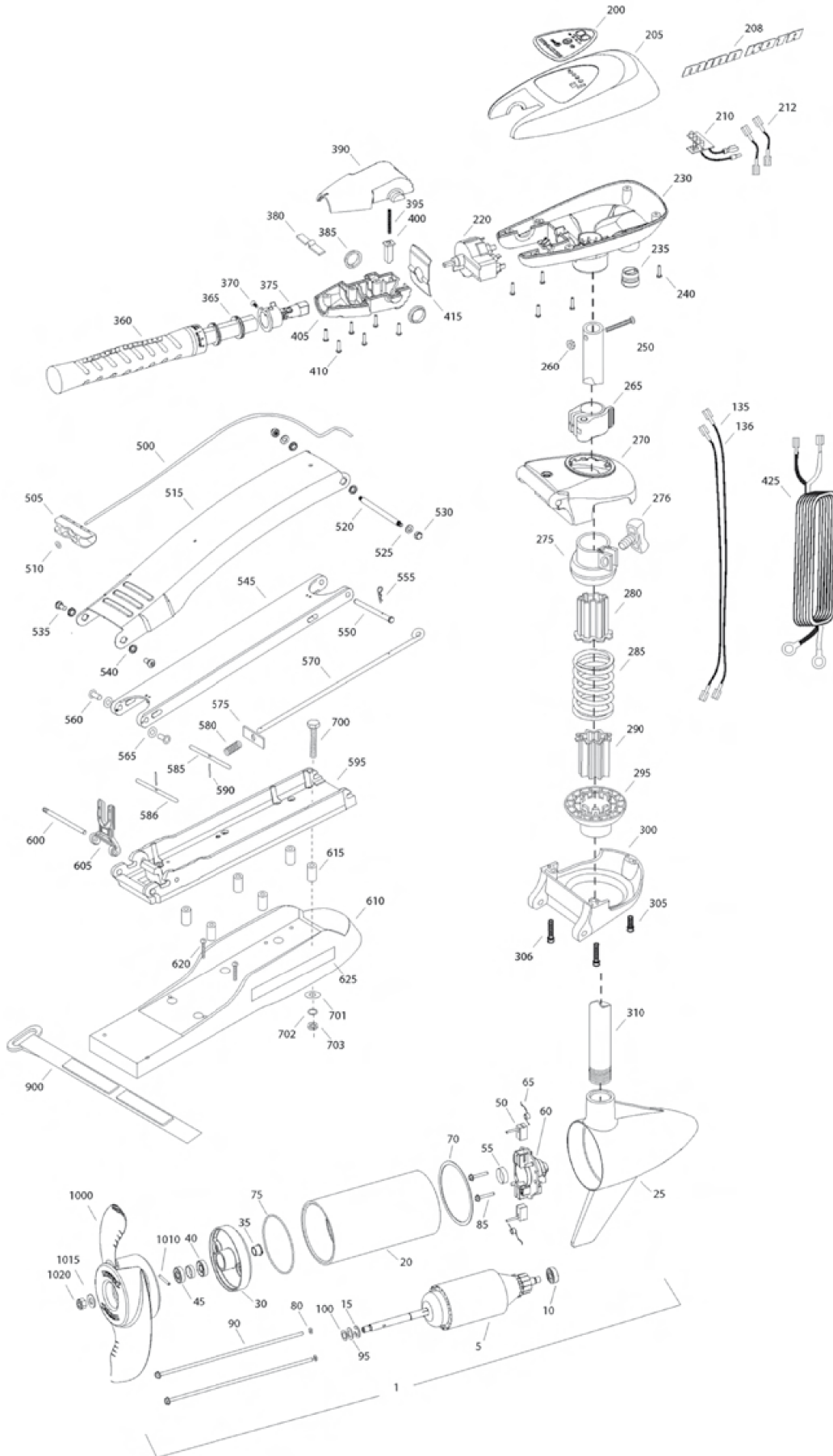
MINN KOTA®

MAX 70 RANGER
(ANCIEN MODÈLE)

1	2-100-271	ARMATURE ASSEMBLY 24V 4"	48	2153602	EYE SHAFT-2LOCKBAR STD	101	2223430	SCREW- #8X3/4 PPH TYPE 25 SS [4.EA]
2	788-040	RETAINING RING	49	2260506	HINGE-PIN HEADLESS ZINC	103	2266400	COVER- PULLEY
3	2-200-160	CENTER HOUSING ASSEMBLY 4.0 TXT	50	2293811	YOKE- MAXXUM MOUNT,POLYPROPYLENE	104	2301310	SCREW- 8-18 X 1/2 [4.EA]
4	2-300-160	BRUSH END HOUSING ASSEMBLY	■	2992085	TUBE W/BEARING RACE ASSEMBLY	105	2264054	CNTRL BOARD ASSEMBLY 24-36V MAX
5	144-017	BEARING- FLANGE (SERVICE ONLY)	51	2272085	TUBE OUTER-21" 4 HOLES	106	2365107	INSULATING PAD (2.3X3.2)
6	880-025	SEAL [2.EA]	52	2266260	BEARING RACE	110	2223455	SCREW- 10-32 X 1/2" [2.EA]
7	421-276	PLAIN END HOUSING ASSEMBLY	■	2991762	BOWGUARD ASSEMBLY- FT CTRL,FW	112	2261220	WIRE HARNESS AT & MAX
8	140-010	BALL BEARING	54	2772319	BRACKET BASE TOP/ EYELET ASSEMBLY	113	2267505	CABLE ASSEMBLY- RIGHT (5)
9	990-045	THRUST SPACER	*55	2991771	BRKT BOTTOM/BEARING FW ASSEMBLY	114	2267515	CABLE ASSEMBLY- LEFT (5)
10	992-010	SPRING WASHER	56	2772352	EYELET-KIT	115	2265430	CABLE JACKET (5)
11	646-094	BRUSH [2.EA]	57	2263423	SCREW 5/16-18 X 1" SHCS ZINC	116	2265110	BOOT- CONTROL BOX
12B	180-017	LEADWIRE-BLACK 10 AWG 61 XLP	58	2263425	SCREW 5/16-18 X 2 1/2 SHCS [2.EA]	117	2265115	BOOT- CONTROL PEDAL BASE
12R	640-121	LEADWIRE-RED 10 AWG 62 1/2	59	2071541	SPRING SLEEVE- UPPER	118	2372100	SCREW- 8-18X5/8 THD [2.EA]
12G	640-317	BROWN GROUND WIRE (US MOTORS ONLY)	60	2071535	SPRING SLEEVE- LOWER	119	2261714	WASHER- MAXXUM FT PDL [2.EA]
12F	2218200	FUSE HOLDER (US MOTORS ONLY)	61	2262712	SPRING- BOWGUARD, NIK PL	120	2261901	BRACKET- CONDUIT
13	738-040	BRUSH PLATE 4"	■	2994830	BAG ASSEMBLY- MAXXUM	121	2263210	BRACKET- CONDUIT ADJUST
14	975-041	SPRING- TORSION [2.EA]	*63	2263431	SCREW- 1/4-20 X 3.5 PPH [6.EA]	122	2263401	NYLOCK KEEPER
15	701-043	O-RING [2.EA]	*64	2261713	WASHER- 1/4 FLAT S/S [6.EA]	123	2263463	SCREW- 1/4-20X2" STL PPH
16	830-027	SCREW-SELF THREAD 10-32X2 [2.EA]	*65	2263103	NUT- 1/4-20 NYLOCK-JAM SS [6.EA]	124	2261233	LEADWIRE- AT VARIABLE
17	830-094	THRU BOLT 12-24X10.31 [2.EA]	66	2266000	BEARING BALL- STEEL	126	2020700	TERMINAL RING- 3/8" [2.EA]
18	701-009	O-RING - THRU BOLT [2.EA]	66A	2266116	BEARING, SPLIT RING	127	2256300	TIE WRAP- 5.5" BLACK
19	990-051	WASHER- STEEL	*67	2266001	BEARING, SPLIT RING	128	2263201	CLAMP WIRE HARNESS MICRO [2.EA]
20	990-052	WASHER- NYLATRON	*68	2261619	COLLAR HALF- ZINC [2.EA]	129	2332103	SCREW- 6-20X3/8 THD (SS)
21	2316223	MOTOR ASSEMBLY 24V FW	*69	2263452	SCREW- 1/4-20X3/4 [2.EA]	133	2254031	SWITCH- MOM/OFF/CON
22	2032003	TUBE-COMPOSITE W/4 HOLE 42"	71	2260285	CONTROL BOX COVER- MAXXUM	134	2266412	SWITCH PLATE- FT PEDAL
■	1378132	PROPELLER KIT	72	2372100	SCREW- 8-18 X 5/8 THD [4.EA]	135	2332103	SCREW- 6-20X3/8 THD SS [2.EA]
23	2331160	PROPELLER W/WEDGE II	73	2266543	DECAL- COVER MAX70/FC	136	2256301	TIE WRAP- 5.5" WHITE [2.EA]
24	2091701	WASHER- SS	74	2260150	NUT- COVER MAX70/FC	137	2274511	BOTTOM PLATE- MAXXUM FT
25	2093101	WASHER- NYLOC	74A	2261733	WASHER-FOAM, INDICATOR	138	9953104	SCREW-8 X 1/2" (SS) [5.EA]
26	2262658	PIN-DRIVE	75	2265800	DECAL- INDICATOR	139	2263455	SCREW- #12-14X1/2 THR FRM [4.EA]
27	973-025	SPACER- BRUSH PLATE [2.EA]	76	2053414	SCREW- 8-32 X 1/2 TRI-LOBE [3. EA]	140	2265126	BUMPER PAD- FOOT PEDAL [4.EA]
28	2262605	PIN- BWGRD UPPER THREADED ZP	77	2267800	GEAR- INDICATOR	141	2266610	DECAL- ON/OFF SWITCH
29	9908236	WASHER- 1/4 FLAT ZINC [2.EA]	78	2372100	SCREW- 8-18 X 5/8	142	2262535	CONTROL BOX- PLASTIC
30	2223100	NUT- TENSION 5/16-18 SS [2.EA]	79	2355410	SHRINK TUBE- 3/8 OD X 2" [2.EA]	143	2267800	GEAR- INDICATOR [2.EA]
■	2771840	MOUNT- BOW ASSEMBLY, STD FW MAX	80	2232360	PULLEY- CABLE DRUM	144	2262220	INDICATOR- DRIVE
31	2284241	ARM-UPPER STD FW	81	2261730	WASHER- NYLON AT CON	145	2261905	BRACKET/INDICATOR
32	2293501	BUSHING- STAINLESS STEEL [4.EA]	82	2996247	TOP BEARING RACE /PINION DRIVE	146	2301310	SCREW- 8-18X1/2"
33	2263500	BOLT- SHOULDER MAXXUM [2.EA]	83	2223468	SCREW- 8-32 X 7/16 [4.EA]	147	2264015	LIGHT/INDICATOR
34	2774315	ARM-LOWER ASSEMBLY,STD,FW,EXTRA [INCLUDES 39, 43-47, 86,87]	84	2262607	PIN- CLEVIS ZP MAXXUM BWGRD	■	2211400	EXTENSION CABLE- SONAR
35	2263912	MOTOR REST (STD) FW	85	2260805	CLIP- SPRING ZP MAX BG	149	2071550	CLAMP COLLAR ASSEMBLY
36	2265514	DECAL- MAXXUM MOTOR REST [2.EA]	86	2150400	PULL- GRIP	150	2071555	CLAMP COLLAR "A"
37	2261505	SPACER- MOTOR REST [6.EA]	87	2151700	WASHER- EYE SHAFT(.562 OD)	151	2072621	CLAMP COLLAR "B"
38	2773987	BOWPLATE- W/INSERT	89	2994496	FOOT PEDAL/PLUG ASSEMBLY	152	2281505	PIN-KNURLED
39	2251601	ROPE (40"), MAXXUM MOUNT	90	2993705	PUSH- BUTTON MAGNET ASSY	154	2071718	KNOB-CLAMP COLLAR
40	2261708	WASHER- 3/8X1/2X.010 SS [2.EA]	91	2302732	SPRING- LOWER PEDAL	156	2073102	WASHER #10 NYLON RETAINING
41	2267318	BEARING NYLINER [2.EA]	92	2260810	CLIP, REED SWITCH	157	2071560	NUT - HEX 1/4" - 28 SS
42	2263434	SCREW, 8-18X1" PPH [2.EA]	95	2280115	E-RING- SPEED CONTROL (VAR)	158	2263804	SPLIT COLLAR
43	2152610	SPRING- PIN LOCKBAR [2.EA]	96	2263000	KNOB- THU-ARC	200	2075120	STRAP - VELCRO 30.5"
44	2233600	LOCK BAR- BOW MOUNT	97	2268413	TENSION SCREW PLATE FT PEDAL			URETHANE PAD
45	2233602	LOCK BAR REAR - ZINC	*98	2260511	PIN- PIVOT AT FT PDL			
46	2152700	SPRING- LOCKBAR CAD,PLTD	99	2274550	FT PEDAL BASE/PIN ASSEMBLY			
47	2262703	SPRING STOP- MAXXUM	100	2262301	PULLEY- FOOT PEDAL			

* This item is part of an assembly. This item cannot be sold separately due to machining and /or assembly that is required.

MAX 70 SC HAND CONTROL
(ANCIEN MODÈLE)





MINN KOTA®

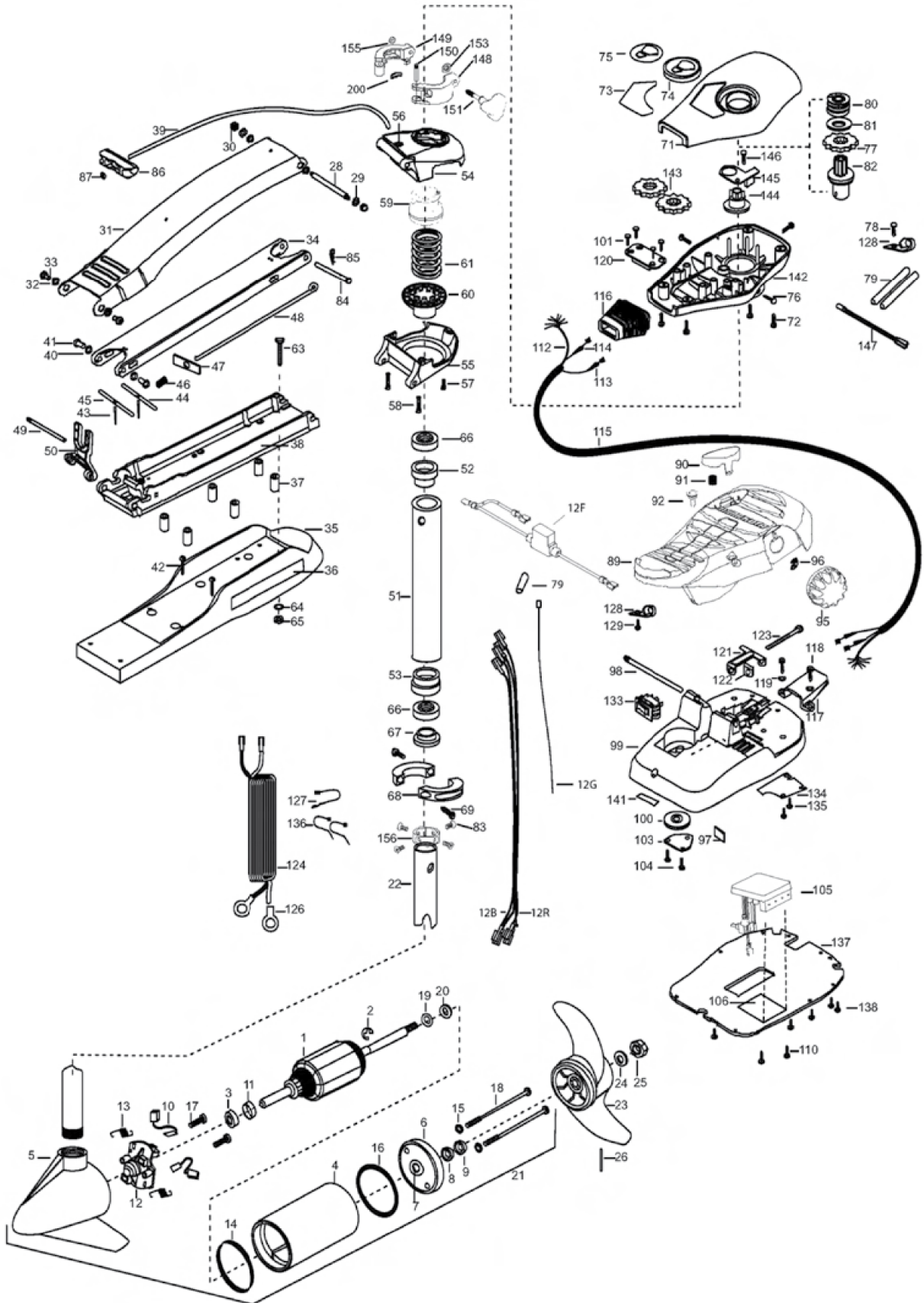
MAX 70 SC HAND CONTROL
(ANCIEN MODÈLE)

Item	P/N	Description	Qty	Item	P/N	Description	Qty	Item	P/N	Description	Qty
1	2096039	24V Motor 42" FW	1	365	2060015	Bearing, handle	1	1000	2091160	Propeller bag assy	1
5	2-100-119	Armature assembly	1	370	2063405	Screw, #6 PFH SS	1	1010	2092600	Propeller WW2	1
10	140-010	Bearing	1	375	2884091	Yoke / spider assy, SSPD	1	1015	2151726	Drive pin, small	1
15	788-015	Retaining ring	1	380	2302742	Spring, detent, off	1	1020	2053101	Washer, prop, small	1
20	2-200-005	Center housing assembly	1	385	2060005	Bearing, handle pivot	2			Nut, nylock, prop, small	1
25	2-300-139	Brush end housing assembly	1	390	2060900	Handle pivot, top	1				
30	2-400-101	Plain end housing assembly	1	395	2302745	Spring, release button	1				
35	144-049	Flange bearing	1	400	2063700	Button, release	1				
40	880-003	Seal	1	405	2060905	Handle pivot, bottom	1				
45	880-006	Seal with shield	1	410	2303412	Screw, #6 x 5/8 SS	6				
50	188-037	Brush	2								
55	725-050	Paper tube	1	415	2062715	Spring, handle pivot	1				
60	738-036	Brush plate assembly	1	425	2992523	Leadwire assy	1				
65	975-040	Brush spring	2								
70	337-036	Gasket	1	☒	2991840	Mount, Bow Assy W/ Bowguard [270-306], [500-625]	1				
75	701-081	O-ring, motor	1	500	2251601	Rope	1				
80	701-008	O-ring, thru-bolt	2	505	2150400	Pull grip	1				
85	830-007	Screw, 8-32	2	510	2151700	Washer	1				
90	830-008	Thru-bolt	2	515	2264241	Arm, upper, std, fw	1				
95	990-067	Washer, steel	2	520	2262605	Pin, bowguard, upper	1				
100	990-070	Washer, nylontron	2	525	9908236	Washer, 1/4", ZP	2				
135	640-006	Leadwire, black	1	530	2223100	Nut, 5/16-18 SS	2				
136	640-115	Leadwire, red	1	535	2263500	Bolt, shoulder	2				
☒	2888460	Seal and O-ring Kit		540	2293501	Bushing, SS	2				
200	2185614	Decal, c-box cover	1	545	2774307	Arm, Lower, std, fw	1				
205	2060295	C-box cover	1	550	2262607	Pin, clevis ZP	1				
208	2325665	Decal - MinnKota	2	555	2260805	Spring, clip	1				
210	2074071	Battery meter, 24v FW	1	560	2261318	Bushing, nyloner	2				
212	2070304	Wire, battery meter blk, 7"	1	565	2261708	Washer, spacer, .010 thk	2				
	2070305	Wire, battery meter red, 7"	1	570	2153602	Eyeshaft, ZP	1				
220	2064023	Switch 5 speed	1	575	2262703	Spring stop	1				
230	2062505	Control box, 5 SPD, FW	1	580	2152700	Spring, lock bar	1				
235	2062905	Strain relief	1	585	2233622	Lock bar, front, ZP	1				
240	2303412	Screw, #6 x 5/8 SS	6	586	2233620	Lock bar, back, ZP	1				
250	2383407	Screw, #10-24 x 2 SS	1	590	2152610	Spring pin	2				
260	2383124	Nut, 10-24, nylock, SS	1	595	2773987	Bowplate w/ insert, std, fw	1				
265	2991521	Cam lock/depth collar assy	1	600	2260506	Hinge pin, ZP	1				
☒	2991760	Bowguard Assembly [270-306]		605	2293811	Yoke, Max	1				
270	2261976	Bracket, top	1	610	2263912	Motor rest, std, fw	1				
275	2261525	Spring sleeve, Upper	1	615	2261505	Spacer, motor rest	6				
276	2011365	Knob, collar	1	620	2263434	Screw, #8, SS	2				
280	2264702	Tube insert, bowmount	2	625	2265514	Decal, motor rest	2				
285	2262711	Spring, bowguard	1	☒	2994830	Bag assembly	1				
295	2261535	Spring sleeve, Lower	1	700	2263431	Screw, 1/4-20 x 3 1/2" PPH, SS	6				
300	2991775	Bracket Assy, bottom	1	701	2301720	Washer, rubber mounting	6				
305	2263423	Screw, 5/16 x 1" SHCS ZP	1	702	2261713	Washer, 1/4" SS	6				
306	2263425	Screw, 5/16 x 2.5" SHCS ZP	2	703	2263101	Nut, 1/4-20 Nylock, SS	6				
310	2032068	Tube Composite 52"	1	900	2263804	Strap, hold down	1				
☒	2990956	Handle assy, SSPD [360-410]		☒	1378131	Propeller kit WW2					
360	2990456	Grip/handle assy, SSPD [360-375]	1								

* This item is part of an assembly. This item cannot be sold separately due to machining and /or assembly that is required.

MAX 70 - 42 INCHES

(ANCIEN MODÈLE)





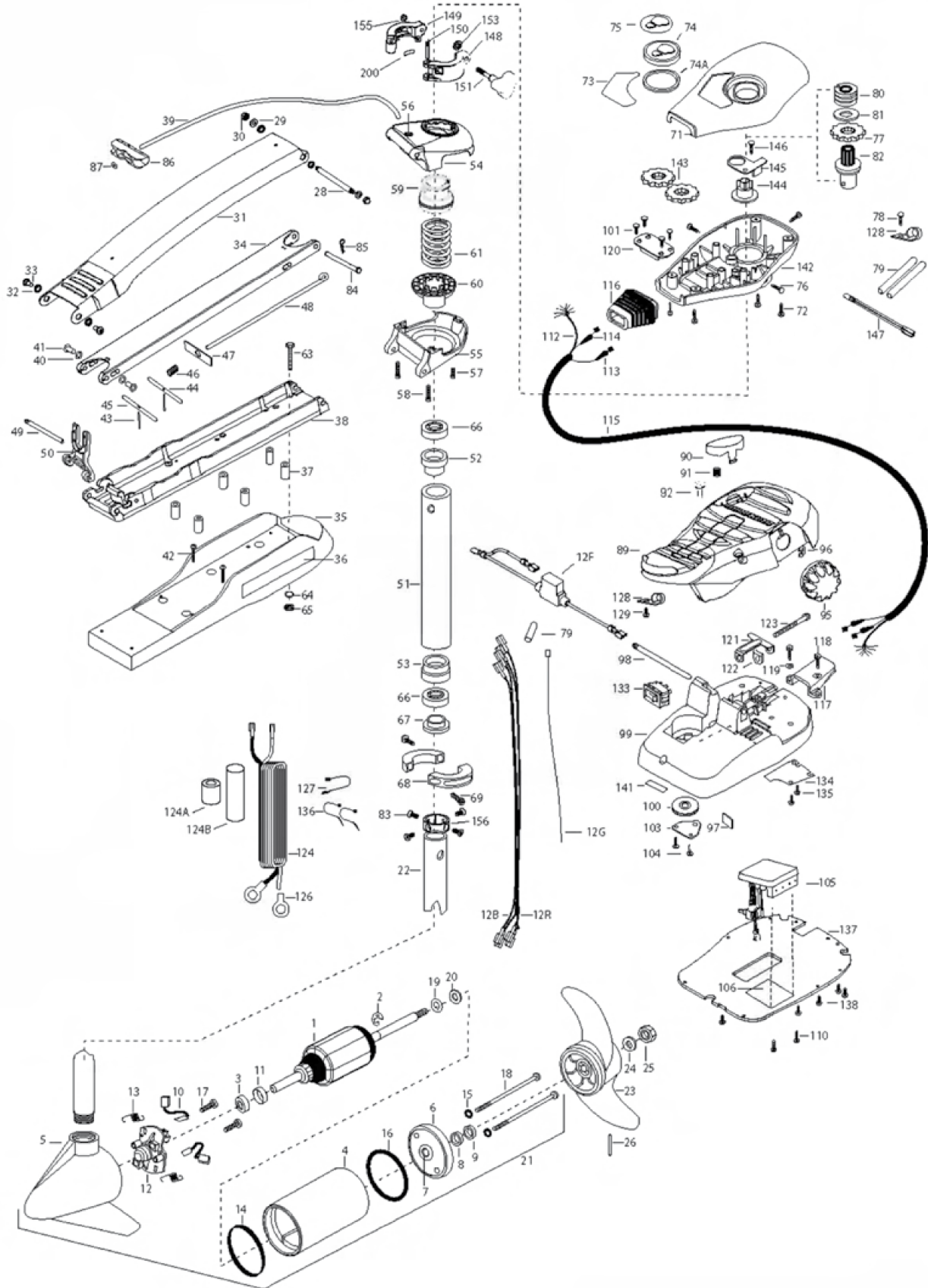
MINN KOTA®

MAX 70 - 42 INCHES
(ANCIEN MODÈLE)

1	2-100-119	ARMATURE ASSEMBLY	47	2262703	SPRING STOP- MAXXUM	101	2223430	SCREW- #8X3/4 PPH TYPE 25 SS [4.EA]
2	788-015	RETAINING RING	48	2153602	EYE SHAFT-2LOCKBAR STD	103	2266400	COVER- PULLEY
3	140-010	BALL BEARING	49	2260506	HINGE-PIN HEADLESS ZINC	104	2301310	SCREW- 8-18 X 1/2 [4.EA]
4	431-005	CENTER HOUSING ASSEMBLY	50	2293811	YOKE- MAXXUM MOUNT POLYPROPYLENE	105	2264054	CNTR BOARD ASSEMBLY 24-36V MAX
5	421-065	HOUSING BRUSH END 3.62	■	2772012	TUBE W/BEARING RACE ASSEMBLY	106	2365107	INSULATING PAD (2.3X3.2)
6	9421-167	HOUSING BRUSH END 3.62 US2	51	2272069	TUBE OUTER-21" 4 HOLES	110	2223455	SCREW- 10-32 X 1/2" [2.EA]
7	2-400-101	PLAIN END HOUSING ASSEMBLY	52	2266260	BEARING RACE	112	2261220	WIRE HARNESS AT & MAX
8	144-049	BEARING - FLANGE (SERVICE CENTER ONLY)	53	2266220	BEARING RACE- STEEL	113	2267505	CABLE ASSEMBLY- RIGHT (5)
9	880-003	SEAL	■	2991762	BOWGUARD ASSEMBLY- FT CTRL FW	114	2267515	CABLE ASSEMBLY- LEFT (5)
10	188-036	BRUSH ASSEMBLY [2.EA]	54	2772319	BRACKET BASE TOP/EYELET ASSEMBLY	115	2265430	CABLE JACKET (5)
11	725-050	BRUSH RETENTION- PAPER TUBE	*55	2991771	BRKT BOTTOM BEARING FW ASSEMBLY	116	2265110	BOOT- CONTROL BOX
12	738-036	BRUSH PLATE W/HOLDER	56	2772352	EYELET- KIT	117	2265115	BOOT- FOOT PEDAL BASE
12B	640-004	LEADWIRE BLACK 10 GA	57	2263423	SCREW 5/16-18 X 1" SHCS ZINC	118	2372100	SCREW- 8-18X5/8 THD [2.EA]
12R	640-105	LEADWIRE RED 10 GA	58	2263425	SCREW 5/16-18 X 2 1/2" SHCS [2.EA]	119	2261714	WASHER- MAXXUM FT PDL [2.EA]
12G	640-315	GROUND WIRE42" (US MOTORS ONLY)	59	2071541	SPRING SLEEVE- UPPER	120	2261901	BRACKET- CONDUIT
12F	2218200	FUSE HOLDER (US MOTORS ONLY)	60	2071535	SPRING SLEEVE- LOWER	121	2263210	BRACKET- CONDUIT ADJUST
13	975-040	SPRING - TORSION [2.EA]	■	2994830	SPRING- BOWGUARD, NIK PL	122	2263104	NYLOCK KEEPER
14	337-036	GASKET	*63	2263431	BAG ASSEMBLY- MAXXUM	123	2263463	LEADWIRE- AT VARIABLE
15	701-008	O-RING, THRU-BOLT [2.EA]	*64	2261713	SCREW- 1/4-20 X 3.5 PPH [6.EA]	124	2261233	FUSED GROUND WIRE
16	701-081	O-RING	*65	2263103	WASHER- 1/4 FLAT S/S [6.EA]	124A	2060310	TERMINAL RING- 3/8" [2.EA]
17	830-007	SCREW-8-32 [2.EA]	66	2266000	BEARING BALL- STEEL [2.EA]	126	2020700	TIE WRAP- 5.5" BLACK
18	830-008	THRU-BOLT 10-32X9.2 [2.EA]	*67	2266115	BEARING CONE	127	2256300	CLAMP WIRE HARNESS MICRO [2.EA]
19	990-067	WASHER- STEEL THRUST	*68	2261619	COLLAR HALF- ZINC [2.EA]	128	2263201	SCREW- 6-20X3/8 THD (SS)
20	990-070	WASHER- NYLATRON	*69	2263452	SCREW- 1/4-20X3/4 [2.EA]	129	2332103	SWITCH- MOM/OFF/CON
21	2096030	MOTOR ASSEMBLY 24V FW	71	2260283	CONTROL BOX COVER- MAXXUM	134	2266412	SWITCH PLATE- FT PEDAL
22	2032003	MOTOR ASSEMBLY 24V FW SONAR	72	2372100	SCREW- 8-18 X 5/8 THD [4.EA]	135	2332103	TIE WRAP- 5.5" WHITE [2.EA]
■	1378131	TUBE- COMPOSITE W/4 HOLE 42"	73	2265643	DECAL- COVER MAX70/FC	136	2256301	BOTTOM PLATE- MAXXUM FT
23	2091160	PROPELLER KIT	74	2260150	DECAL - COVER MAX70/FC SONAR	137	2774511	SCREW-8 X 1/2" (SS) [5.EA]
24	2151726	PROPELLER W/WEDGE 2	74A	2261733	POINTER DISC TRNSLCNT RED	138	9953104	SCREW- #12-14X1/2 THR FRM [4.EA]
25	2053101	WASHER-5/16 SS	75	2265800	WASHER-FOAM, INDICATOR	139	2263455	BUMPER PAD- FOOT PEDAL [4.EA]
26	2092600	NUT-PROP NYLON	76	2053414	DECAL- INDICATOR	140	2265126	DECAL- ON/OFF SWITCH
28	2262605	PIN-DRIVE	77	2267800	SCREW- 8-32 X 1/2 TRI-LOBE [3.EA]	142	2262535	CONTROL BOX- PLASTIC
29	9908236	PIN- BWGRD UPPER THREADED ZP	78	2327100	GEAR- INDICATOR	143	2267800	INDICATOR- DRIVE
30	2223100	WASHER- 1/4 FLAT ZINC [2.EA]	79	2355410	SCREW- 8-18 X 5/8	144	2262220	SCREW- 8-18X1/2"
■	2991840	NUT- TENSION 5/16-18 SS [2.EA]	80	2232360	SHRINK TUBE- 3/8 OD X 2" [3.EA]	145	2261905	LIGHT/INDICATOR
31	2264241	MOUNT- ASSEMBLY, W/O BG, STD FW MAX	81	2261730	PULLEY- CABLE DRUM	146	2261550	EXTENSION CABLE- SONAR
32	2293501	ARM-UPPER STD FW	82	2996247	WASHER- NYLON AT CON	147	2071555	CLAMP COLLAR ASSEMBLY
33	2263500	BUSHING- STAINLESS STEEL [4.EA]	82	2996247	TOP BEARING RACE (PINION DRIVE	148	2071555	CLAMP COLLAR "A"
34	2774315	BOLT- SHOULDER MAXXUM [2.EA]	83	2223468	SCREW- 8-32 X 7/16 [4.EA]	■	2261550	CLAMP COLLAR "B"
		ARM-LOWER ASSEMBLY, STD FW, EXTRA [INCLUDES 39, 43-47, 86, 87]	84	2262607	PIN- CLEVIS ZP MAXXUM BWGRD	149	2071555	PIN-KNURLED
35	2263912	MOTOR REST (STD) FW	85	2260805	CLIP- SPRING ZP MAX BG	150	2071555	KNOB-CLAMP COLLAR
36	2265514	DECAL- MAXXUM MOTOR REST [2.EA]	86	2150400	PULL- GRIP	151	2072621	WASHER #10 NYLON RETAINING
37	2261505	SPACER- MOTOR REST [6.EA]	87	2151700	WASHER- EYE SHAFT(.562 OD)	152	2281505	WASHER - FLAT SS
38	2273987	BOWPLATE- W/INSERT	89	2994496	FOOT PEDAL/PLUG ASSEMBLY	155	2071716	SPLIT COLLAR
39	2251601	ROPE (40"), MAXXUM MOUNT	90	2993705	PUSH-BUTTON MAGNET ASSY	157	2263804	STRAP - VELCRO 30.5"
40	2261708	WASHER- 3/8X1/2X.010 SS [2.EA]	91	2302732	SPRING- LOWER PEDAL	200	2075120	URETHANE PAD
41	2267318	BEARING NYLINER [2.EA]	92	2260810	CLIP, REED SWITCH			
42	2263434	SCREW, 8-18X1" PPH [2.EA]	95	2280115	WASHER- EYE SHAFT(.562 OD)			
43	2152610	SPRING- PIN LOCKBAR [2.EA]	96	2263000	FOOT PEDAL/PLUG ASSEMBLY			
44	2233600	LOCK BAR- BOW MOUNT	97	2266413	PUSH-BUTTON MAGNET ASSY			
45	2233602	LOCK BAR REAR - ZINC	*98	22660511	SPRING- LOWER PEDAL			
46	2152700	SPRING- LOCKBAR CAD, PLTD	99	2774550	E-RING THU-ARC			
			100	2262301	KNOB- SPEED CONTROL (VAR)			
					TENSION SCREW PLATE FTPEDAL			
					PIN- PIVOT AT FT PDL			
					FT PEDAL BASE/PIN ASSEMBLY			
					PULLEY- FOOT PEDAL			

* This item is part of an assembly. This item cannot be sold separately due to machining and /or assembly that is required.

MAX 70 - 52 INCHES (ANCIEN MODÈLE)





MINN KOTA®

MAX 70 - 52 INCHES
(ANCIEN MODÈLE)

1	2-100-119	ARMATURE ASSEMBLY	48	2153604	EYE SHAFT- 2LOCKBAR LG PLTD	101	2223430	SCREW- #8X3/4 PPH TYPE 25 SS [4.EA]
2	788-015	RETAINING RING	49	2260506	HINGE-PIN HEADLESS ZINC	103	2266400	COVER- PULLEY
3	140-010	BALL BEARING	50	2298311	YOKE- MAXXUM MOUNT,POLYPROPYLENE	104	2301310	SCREW- 8-18 X 1/2 [4.EA]
4	431-005	CENTER HOUSING ASSEMBLY	51	2272016	TUBE W/BEARING RACE ASSEMBLY 52"	105	2264054	CONTROL BOARD ASSEMBLY 24-36V MAX
5	421-065	HOUSING BRUSH END 3.62 62"	52	2272014	TUBE W/BEARING RACE ASSEMBLY 62"	106	2365107	INSULATING PAD (2.3X3.2)
6	9421-168	BRUSH HOUSING ASSY 3.62 US2 52"	53	2272067	TUBE OUTER-24" 4 HOLES 48"-52"	110	2223455	SCREW- 10-32 X 1/2" [2.EA]
7	2-400-101	BRUSH HOUSING ASSY 3.62 US2 62"	54	2272088	TUBE OUTER-34" 4 HOLES 62"	111	2221410	EXTENSION CABLE- SONAR ONLY
8	880-003	PLAIN END HOUSING ASSEMBLY	55	2266220	BEARING RACE	112	2261220	WIRE HARNESS AT & MAX
9	144-049	BEARING - FLANGE (SERVICE CENTER ONLY)	56	2291762	BEARING RACE- STEEL	113	2267505	CABLE ASSEMBLY- RIGHT (5)
10	880-006	SEAL	57	2291763	BOWGUARD ASSEMBLY- FT CTRL,FW 52"	114	2267515	CABLE ASSEMBLY- LEFT (5)
11	188-037	BRUSH ASSEMBLY [2.EA]	58	2272319	BOWGUARD ASSEMBLY- FT CTRL,FW 62"	115	2265430	CABLE JACKET (5)
12	725-050	BRUSH RETENTION- PAPER TUBE	59	2071541	BRACKET BASE TOP/INSERT ASSEMBLY	116	2265110	BOOT- CONTROL BOX
13	738-036	BRUSH PLATE WHOLDER	60	2071535	BRKT BOTTOM/BEARING FW ASSEMBLY 52"	117	2265115	BOOT- FOOT PEDAL BASE
14	640-008	LEADWIRE 10 GA	61	2262712	BRKT BOTTOM/BEARING FW ASSEMBLY 62"	118	2372100	SCREW- 8-18X5/8 THD [2.EA]
15	640-316	GROUND WIRE 52"	62	2272352	EYELET- ROPE KIT	119	2261714	WASHER- MAXXUM FT PDL [2.EA]
16	2-182000	FUSE HOLDER (US MOTORS ONLY)	63	2263423	SCREW 5/16-18 X 1" SHCS ZINC	120	2261901	BRACKET- CONDUIT
17	975-040	SPRING - TORSION [2.EA]	64	2263425	SCREW 5/16-18 X 2 1/2" SHCS [2.EA]	121	2263210	BRACKET- CONDUIT ADJUST
18	337-036	GASKET	65	2071541	SPRING SLEEVE- UPPER	122	2263104	NYLOCK KEEPER
19	701-008	O-RING, THRU-BOLT [2.EA]	66	2071535	SPRING SLEEVE- LOWER	123	2266366	LEADWIRE- VARIABLE
20	830-007	O-RING	67	2262712	BAG ASSEMBLY- MAXXUM	124	2261233	TERMINAL RING- 3/8" [2.EA]
21	830-008	THRU-BOLT 10-32X9.2 [2.EA]	68	2294890	SCREW- 1/4-20 X 3.5 PPH [6.EA]	126	2020700	CLAMP WIRE HARNESS MICRO [2.EA]
22	990-067	WASHER- STEEL THRUST	69	2263431	NUT- 1/4-20 X 5/8 THD [4.EA]	127	2256300	SWITCH- MOM/OFF/CON
23	2106031	MOTOR ASSEMBLY 24V FW 52" SONAR	70	2263411	BEARING BALL- STEEL [2.EA]	128	2263201	SWITCH PLATE- FT PEDAL
24	2092006	MOTOR ASSEMBLY 24V F/W 52"	71	2262883	COLLAR HALF- ALUM. [2.EA]	129	2332103	SCREW- 6-20X3/8 THD SS [2.EA]
25	2032005	TUBE- COMPOSITE 52" W/4 HOLE	72	2265000	SCREW- 1/4-20 X 3.5 PPH [6.EA]	130	2254051	TIE WRAP- 5.5" WHITE [2.EA]
26	1378131	PROPELLER KIT	73	2265646	SCREW- 8-18 X 5/8 THD [4.EA]	131	2274511	BOTTOM PLATE- MAXXUM FT
27	2091160	WASHER-5/16 SS	74	2265643	DECAL- COVER MAX70/FC	132	2263455	SCREW- #12-14X1/2 THR FRM [4.EA]
28	2053101	NUT-PROP NYLOC	75	2265643	DECAL - COVER MAX70 /FC US	133	2266126	BUMPER PAD- FOOT PEDAL [4.EA]
29	2092600	PIN-DRIVE	76	2261733	WASHER-FOAM, INDICATOR	134	2266610	DECAL- ON/OFF SWITCH
30	2262605	PIN- BWGRD UPPER THREADED ZP	77	2053414	DECAL- INDICATOR	141	2262535	CONTROL BOX- PLASTIC
31	9908236	WASHER- 1/4 FLAT ZINC [2.EA]	78	2267800	GEAR- INDICATOR	142	2267800	GEAR- INDICATOR [2.EA]
32	2223100	NUT- TENSION 5/16-18 SS [2.EA]	79	2372100	SCREW- 8-32 X 1/2 TRI-LOBE [3. EA]	144	2262220	INDICATOR- DRIVE
33	2991841	MOUNT- BOW ASSY, LNG FW 52" W/O BGRD	80	2232360	SHRINK TUBE- 3/8 OD X 2" [3.EA]	145	2261905	BRACKET/INDICATOR
34	2264246	MOUNT- BOW ASSY, LNG FW 62" W/O BGRD	81	2261730	GEAR- INDICATOR	146	2301310	SCREW- 8-18X1/2"
35	2293501	ARM-UPPER LONG FW	82	2996247	WASHER- NYLON AT CON	147	2264015	LIGHT/INDICATOR
36	2293501	BUSHING- STAINLESS STEEL [4.EA]	83	2262607	TOP BEARING RACE /PINION DRIVE	148	2291550	CLAMP COLLAR ASSEMBLY
37	2263500	BOLT- SHOULDER MAXXUM [2.EA]	84	2262607	SCREW- 8-32 X 7/16 [4.EA]	149	2071550	CLAMP COLLAR "A"
38	2773986	ARM-LOWER ASSEMBLY LONG,FW,EXTRA [INCLUDES 39, 43-47, 86,87]	85	2260805	PIN- CLEVIS ZP MAXXUM BWGRD	150	2071555	CLAMP COLLAR "B"
39	2251601	MOTOR REST LONG FW	86	2150400	CLIP- SPRING ZP MAX BG	151	2072621	PIN-KNURLED
40	2261708	DECAL- MAXXUM MOTOR REST [2.EA]	87	2150700	PULL- GRIP	152	2281505	KNOB-CLAMP COLLAR
41	2267318	SPACER- MOTOR REST [6.EA]	88	2994496	WASHER- EYE SHAFT [.562 OD]	153	2071718	WASHER #10 NYLON RETAINING
42	2263434	BOWPLATE- WINSERT	89	2993705	FOOT PEDAL/PLUG ASSEMBLY	155	2073102	NUT - HEX 1/4 - 28 SS
43	2252610	ROPE (40'), MAXXUM MOUNT	90	2302732	FOOT PEDAL/PLUG ASSEMBLY	156	2071560	SPLIT COLLAR
44	2263434	BEARING NYLINER [2.EA]	91	2260810	PUSH- BUTTON MAGNET ASSY	157	2263804	STRAP - VELLOCO 30.5"
45	2233602	SCREW, 8-18X1" PPH [2.EA]	92	2280115	SPRING- LOWER PEDAL	200	2075120	URETHANE PAD
46	2152700	LOCK BAR- BOW MOUNT	93	2266413	KNOB- SPEED CONTROL (VAR)	158	2030710	CONNECTOR BUTT [2.EA]
47	2262703	LOCK BAR REAR - ZINC	94	2266413	E-RING THU-ARC	159	2030317	WIRE EXTENSION 18" RED
		SPRING- PIN LOCKBAR [2.EA]	95	2260511	TENSION SCREW PLATE FT PEDAL	160	2030316	WIRE EXTENSION 18" BLACK
		LOCK BAR REAR - ZINC	96	2274550	PIN- PIVOT AT FT PDL	161	2375400	SHRINK TUBE 1/4ODX1-3/4 [2.EA]
		SPRING- LOCKBAR CAD PLTD	97	2262301	FT PEDAL BASE/PIN ASSEMBLY			
		SPRING STOP- MAXXUM	100		PULLEY- FOOT PEDAL			

* This item is part of an assembly. This item cannot be sold separately due to machining and for assembly that is required.