



MINN KOTA®

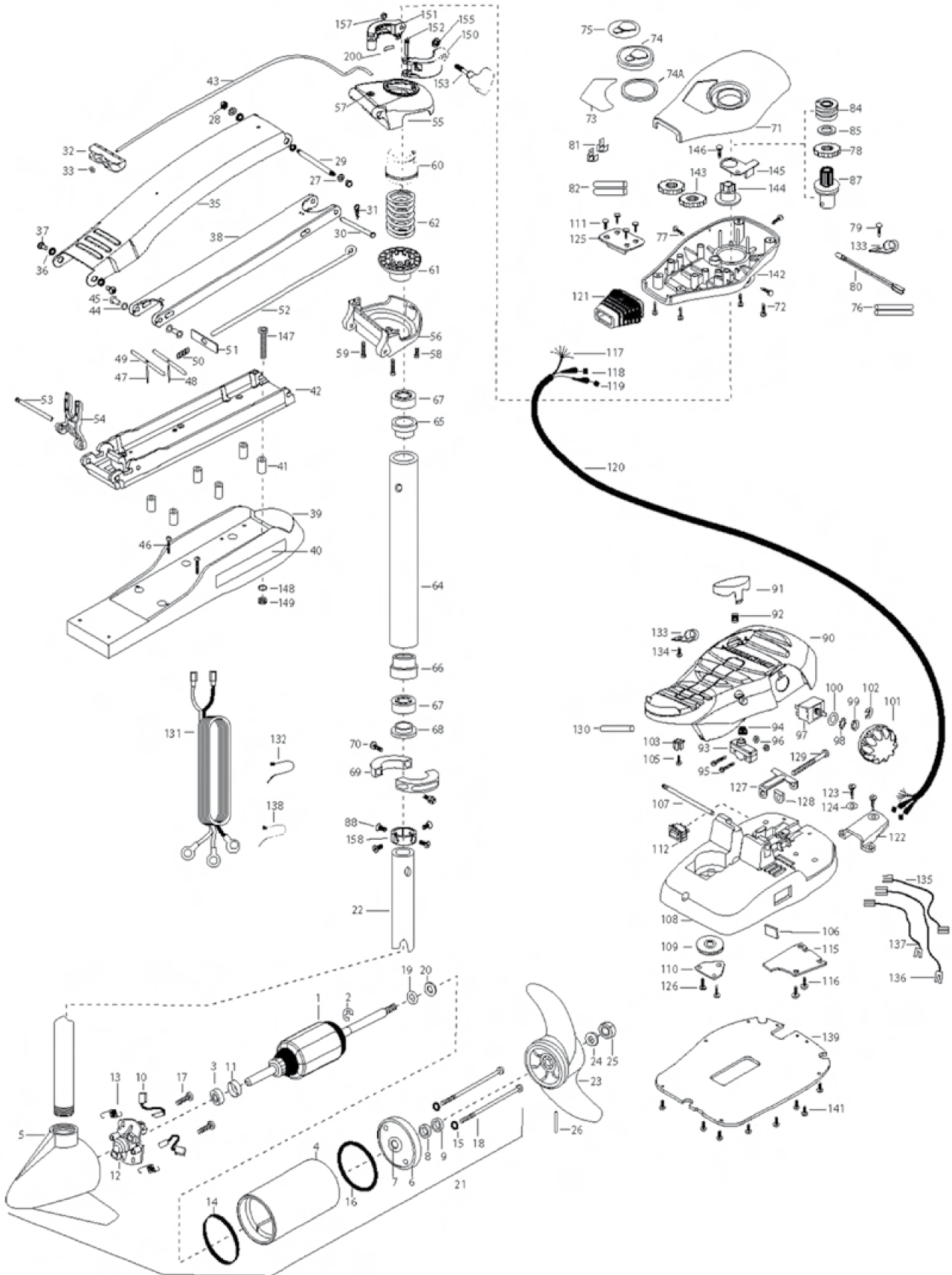
MAX 55 SC HAND CONTROL
(ANCIEN MODÈLE)

Item	P/N	Description	Qty	Item	P/N	Description	Qty	Item	P/N	Description	Qty
1	2097099	12V Motor 36" FW	1	365	2060015	Bearing, handle	2	1000	2994875	Propeller bag assy	1
5	2-100-117	Armature assembly	1	370	2063405	Screw, #6 PFH SS	1	1010	2091160	Propeller WW2	1
10	140-010	Bearing	1	375	2884091	Yoke / spider assy, 5SPD	1	1015	2092600	Drive pin, small	1
15	788-015	Retaining ring	1	380	2302742	Spring, detent, off	1	1020	2055101	Washer, prop. small	1
20	2-200-101	Center housing assembly	1	385	2060005	Bearing, handle pivot	2			Nut, nylon, prop. small	1
25	2-300-199	Brush end housing assembly	1	390	2060900	Handle pivot, top	1				
30	2-400-101	Plain end housing assembly	1	395	2302745	Spring, release button	1				
35	144-049	Flange bearing	1	400	2063700	Button, release	1				
40	880-003	Seal	1	405	2060905	Handle pivot, bottom	1				
45	880-006	Seal with shield	1	410	2303412	Screw, #6 x 5/8 SS	6				
50	188-036	Brush	2								
55	725-050	Paper tube	1	415	2062715	Spring, handle pivot	1				
60	738-036	Brush plate assembly	1	425	2992523	Leadwire assy	1				
65	975-040	Brush spring	2								
70	337-036	Gasket	1	⊠	2991840	Mount, Bow Assy W/ Bowguard [270-306], [500-625]	1				
75	701-081	O-ring, motor	1	500	2251601	Rope	1				
80	701-008	O-ring, thru-bolt	2	505	2150400	Pull grip	1				
85	830-007	Screw, 8-32	2	510	2151700	Washer	1				
90	830-042	Thru-bolt	2	515	2264241	Arm, upper, std, fw	1				
95	990-067	Washer, steel	2	520	2262605	Pin, bowguard, upper	1				
100	990-070	Washer, nylon	2	525	9908236	Washer, 1/4", ZP	1				
135	640-006	Leadwire, black	1	530	2223100	Nut, 5/16-18 SS	2				
136	640-115	Leadwire, red	1	535	2263500	Bot. shoulder	2				
⊠	2888460	Seal and O-ring Kit		540	2293501	Bushing, SS	2				
200	2185613	Decal, c-box cover	1	545	2774307	Arm, Lower, std, fw	1				
205	2060295	C-box cover	1	550	2262607	Pin, clevis ZP	1				
208	2325665	Decal - MinnKota	2	555	2260805	Spring, clip	1				
210	2074070	Battery meter, 12v FW	1	560	2261318	Bushing, nylon	2				
212	2070304	Wire, battery meter blk, 7"	1	565	2261708	Washer, spacer, .010 thk	2				
220	2070305	Wire, battery meter red, 7"	1	570	2153602	Eyeshaft, ZP	1				
230	2064023	Switch 5 speed	1	575	2262703	Spring stop	1				
230	2062505	Control box, 5 SPD, FW	1	580	2152700	Spring, lock bar	1				
235	2062905	Strain relief	1	585	2233622	Lock bar, front, ZP	1				
240	2303412	Screw, #6 x 5/8 SS	6	586	2233620	Lock bar, back, ZP	1				
250	2383407	Screw, #10-24 x 2 SS	1	590	2152610	Spring pin	2				
260	2383124	Nut, 10-24, nylon, SS	1	595	2773987	Bowplate w/ insert, std, fw	1				
265	2991521	Cam lock/depth collar assy	1	600	2260506	Hinge pin, ZP	1				
⊠	2991760	Bowguard Assembly [270-306]		605	2293811	Yoke, Max	1				
270	2261976	Bracket, top	1	610	2263912	Motor rest, std, fw	1				
275	2261525	Spring sleeve, Upper	1	615	2261505	Spacer, motor rest	6				
276	2011365	Knob, collar	1	620	2263434	Screw, #8, SS	2				
280	2264702	Tube insert, bowmount	2	625	2265514	Decal, motor rest	2				
285	2262711	Spring, bowguard	1	⊠	2994830	Bag assembly	1				
295	2261535	Spring sleeve, Lower	1	700	2263431	Screw, 1/4-20 x 3 1/2" PPH, SS	6				
300	2991775	Bracket Assy, bottom	1	701	2301720	Washer, rubber mounting	6				
305	2263423	Screw, 5/16 x 1" SHCS ZP	1	702	2261713	Washer, 1/4 SS	6				
306	2263425	Screw, 5/16 x 2.5" SHCS ZP	2	703	2263101	Nut, 1/4-20 Nylon, SS	6				
310	2032068	Tube Composite 52"	1	900	2263804	Strap, hold down	1				
⊠	2990956	Handle assy, 5SPD [360-410]		⊠	1378131	Propeller kit WW2					
360	2990456	Grip/handle assy, 5SPD [360-375]	1								

* This item is part of an assembly. This item cannot be sold separately due to machining and /or assembly that is required.

MAX 55 SC - 42 INCHES

(ANCIEN MODÈLE)





MINN KOTA®

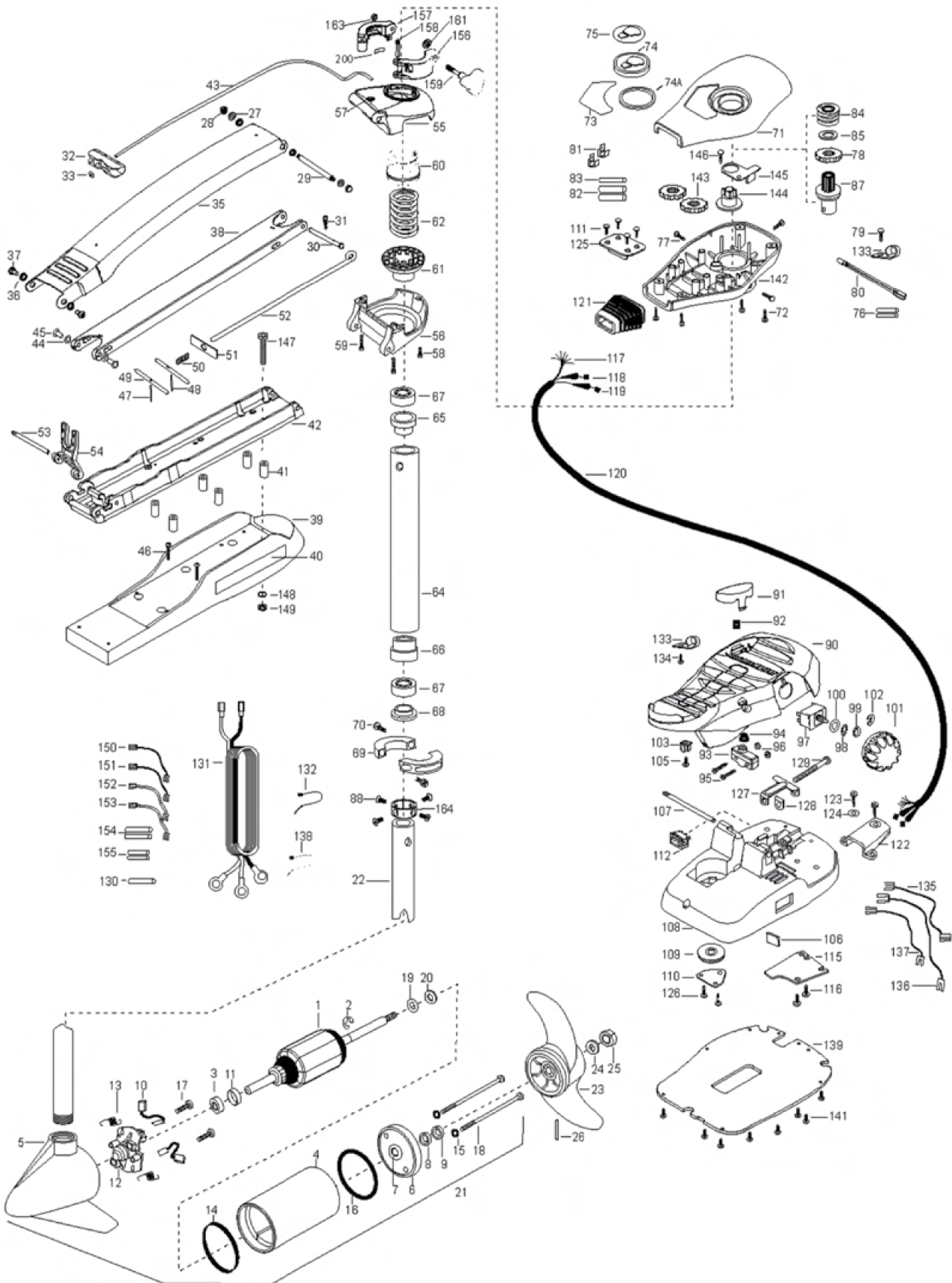
MAX 55 SC - 42 INCHES
(ANCIEN MODÈLE)

1	2-100-117	ARMATURE ASSEMBLY 12V 3.625 5SPC 55#	53	2260506	HINGE-PIN HEADLESS ZINC	108	2992102	FT PED BASE/PIN ASSEMBLY SONAR
2	788-015	RETAINING RING	54	2293811	YOKE,MAX MNT-POLYPROPYLENE	109	2262301	PULLEY- FOOT PEDAL
3	140-010	BALL BEARING	■	2991762	BOWGUARD ASSEMBLY- FT CTRL FW	110	2266400	COVER-PULLEY STAMPING
4	431-101	CENTER HOUSING ASSEMBLY 3.625 FW TXT	55	2772319	BRACKET BASE TOP/EYELET ASSEMBLY	111	2223430	SCREW- #8 X3/4 SS PPH TYPE 25 [4.EA]
5	2-300-196	BRUSH END HOUSING ASSEMBLY 3.62 SPCO	56	2991771	BRKT BTM/BEARING FW ASSEMBLY	112	2254031	SWITCH-M0M/OFF/CON
6	2-400-101	PLAIN END HOUSING ASSEMBLY	57	2772352	EYELET KIT	115	2266412	SWITCH PLATE, FT PEDAL
7	144-049	BEARING - FLANGE (SERVICE ONLY)	58	2263423	SCREW 5/16-18 X 1" SHCS ZINC	116	2332103	SCREW-6-20 X 3/8 THD SS [2.EA]
8	880-003	SEAL	59	2263425	SCREW 5/16-18 X 2 1/2" SHCS [2.EA]	117	2261208	WIRE HARNESS, A/T FT. PHD
9	800-006	SEAL WITH SHIELD	60	2071541	SPRING-SLEEVE UPPER	118	2267505	CABLE ASSY-LEFT (5)
10	188-036	BRUSH ASSEMBLY [2.EA]	61	2071535	SPRING SLEEVE, LOWER	119	2267515	CABLE ASSY-LEFT (5)
11	725-050	BRUSH RETENTION- PAPER TUBE	62	2262706	SPRING, BOWGUARD, NIK PL	120	2265430	CABLE JACKET (5)
12	738-036	BRUSH PLATE WHOLDER	■	2772012	TUBE W/BEARING RACE ASSEMBLY	121	2265110	BOOT-CONTROL BOX
13	975-040	SPRING - TORSION [2.EA]	64	2272069	TUBE OUTER-2 1/4 HOLES	122	2265115	BOOT-FOOT PEDAL BASE
14	337-036	GASKET	65	2266260	BEARING RACE	123	2372100	SCREW-8-18 X 5/8 THD SS [2.EA]
15	701-008	O-RING, THRU-BOLT [2.EA]	66	2266220	BEARING RACE-STEEL	124	2261714	WASHER-MAXXUM FT PDL [2.EA]
16	701-081	O-RING	67	2266200	BEARING BALL-STEEL [2.EA]	125	2261901	BRACKET-CONDUIT
17	830-007	SCREW-8-32 [2.EA]	68	2266115	BEARING CONE	126	2301310	SCREW-8-18 X 1/2 SS [2.EA]
18	830-042	THRU-BOLT 10-32X8.83" [2.EA]	69	2771617	COLLAR HALF-ZINC- 2 PER KIT	127	2263210	BRACKET-CONDUIT ADJUSTMEN
19	900-067	WASHER- STEEL THRUST	70	2263452	SCREW-1/4-20 X 3/4" SHCS [2.EA]	128	2263104	NYLOCK KEEPER
20	900-070	WASHER - NYLATRON [2.EA]	71	2260283	CONTROL BOX COVER -MAXXUM	129	2263463	SCREW-1/4-20 X 2" STL PPH
21	2097099	MOTOR ASSEMBLY 12V 3.625 5SPC FW 55#	72	2372100	SCREW-8-18 X 5/8" THD SS [4.EA]	130	2355410	SHRINK TUBE-3/8 OD X 2"
22	2032003	TUBE (COMP) 4 HOLE-42"	73	2265655	DECAL-COVER MAX55/SC	131	2261225	LEADWIRE- BATTERY
■	1378131	PROP KIT	74	2260150	POINTER DISC SHORT RED	132	2265630	TIE WRAP-5.5" BLACK
23	2091160	PROPELLER (W,WEDGE 2)	74A	2261733	WASHER-FOAM, INDICATOR	133	2263201	CLAMP WIRE HARNESS MICRO [2.EA]
24	2151726	WASHER-5/16 STD SS	75	2265800	DECAL-INDICATOR	134	2332103	SCREW-6-20 X 3/8 THD SS
25	2053101	NUT-PROPNYLON (MED) 5/16 SS	76	2375400	SHRINK TUBE-1/4OD X 1-3/4" [2.EA]	135	2260301	CONNECTING WIRE (SWITCH)
26	2092600	PIN-DRIVE (95-4HP'S) SS	77	2053414	SCREW-#8-32 X 1/2" TRI-LOBE [3.EA]	136	2260312	WIRE,BLK WWHT STRP 19 1/2
27	9008236	WASHER 1/4 FLAT ZINC [4.EA]	78	2267800	GEAR-INDICATOR	137	2260322	WIRE,BLK W/BLU STRP-12"
28	2223100	NUT- TENSION 5/16-18 SS [2.EA]	79	2372100	SCREW-8-18 X 5/8" SS	138	2256301	TIE WRAP-5.5" WHITE
29	2262605	PIN- BWGRD UPPER THREADED	80	2264015	LIGHT/INDICATOR	139	2266414	BOTTOM PLATE MAX FOOT PED
30	2262607	CLEVIS PIN ZP MAXXUM BWGRD	81	2020713	TERMINAL-ADAPTOR, MAX [2.EA]	141	9953104	SCREW-8 X 1/2" SS [8.EA]
31	2260805	SPRING CLIP	82	2335400	SHRINK TUBE- 1/2 OD X 2" [2.EA]	142	2262535	CONTROL BOX-PLASTIC
32	2150400	PULL-GRIP	84	2232360	PULLEY-CABLE DRUM	143	2267800	GEAR-INDICATOR [2.EA]
33	2151700	WASHER-EYE SHAFT (.562 OD)	85	2261730	WASHER-NYLON AT CON B	144	2262220	INDICATOR-DRIVE
■	2991840	MOUNT- BOW ASSEMBLY, W/O BGRD FW STD	87	2996247	TOP BEARING RACE/ PINION DR	145	2261905	BRACKET/INDICATOR
35	2264241	ARM-UPPER FW STD	88	2223468	SCREW-8-32 X 7/16" ZN PL [4.EA]	146	2301310	SCREW-8-18 X 1/2" SS
36	2293501	BUSHING, STAINLESS STEEL [4.EA]	90	2994496	FOOT PEDAL/PLUG ASSEMBLY (AT)	■	2994830	BAG ASSEMBLY-MAXXUM
37	2263500	BOLT- SHOULDER (MAXXUM) [2.EA]	91	2283700	PUSH-BUTTON FOOT PEDAL	*147	2263431	SCREW 1/4-20 X 3.5" PPH [6.EA]
38	2994307	ARM-LOWER ASSEMBLY,STD,FW,EXT	92	2302732	SPRING-LOWER PEDAL SS	*148	2261713	WASHER-1/4 FLAT SS [6.EA]
39	2263912	MOTOR REST STD MAXXUM	92	2264020	SWITCH-MOMENTARY	*149	2263103	NUT-1/4-20 NYLOCK-JAM SS [6.EA]
40	2265514	DECAL-MAXXUM MOTOR REST [2.EA]	94	2265140	BOOT-MICROSWITCH	■	2991550	CLAMP COLLAR ASSEMBLY
41	2261505	SPACER, MOTOR REST [6.EA]	95	2282114	SCREW-MOUNTING/SWITCH [2.EA]	150	2071550	CLAMP COLLAR "A"
42	2773987	BOWPLATE/INST ASSEMBLY STD FW	96	2233100	NUT-SWITCH MOUNT [2.EA]	151	2071555	CLAMP COLLAR "B"
43	2251601	ROPE (40"), MAXXUM MOUNT	97	2264026	SWITCH-5 SPEED (ALL TERRAIN)	152	2072621	PIN-KNURLED
44	2261708	WASHER-3/8X1/2X.010" SS [2.EA]	98	2261701	LOCKWASHER-STAR	153	2281505	KNOB-CLAMP COLLAR
45	2267318	BEARING NYLINER [2.EA]	99	2263105	NUT-HEX	155	2071718	WASHER #10 NYLON RETAINING
46	2263434	SCREW, 8-18 X 1" PPH SS [2.EA]	100	2261715	SPACER-SWITCH 5 SP MODELS	157	2073102	NUT - HEX 1/4 - 28 SS
47	2152610	SPRING-PIN LOCKBAR [2.EA]	101	2280110	KNOB-SPEED CONTROL (5 SPD)	158	2071560	SPLIT COLLAR
48	2233600	LOCK BAR- BOW MOUNT	102	2263000	E-RING TRU-ARC#5133-43	200	2075120	URETHANE PAD
49	2233602	LOCK BAR, REAR - ZINC	103	2260730	CONNECTOR 1/4 MALE TAB OD			
50	2152700	SPRING-LOCKBAR CAD,PLTD	105	2332103	SCREW-6-20 X 3/8" THD SS			
51	2262703	SPRING STOP	106	2266413	TENSION SCREW PLATE FT PED			
52	2153602	EYE SHAFT-2LOCKBAR STD-PL	107	2260511	PIN-PIVOT AT FT PDL			

* This item is part of an assembly. This item cannot be sold separately due to machining and /or assembly that is required.

MAX 55 SC - 52 INCHES

(ANCIEN MODÈLE)





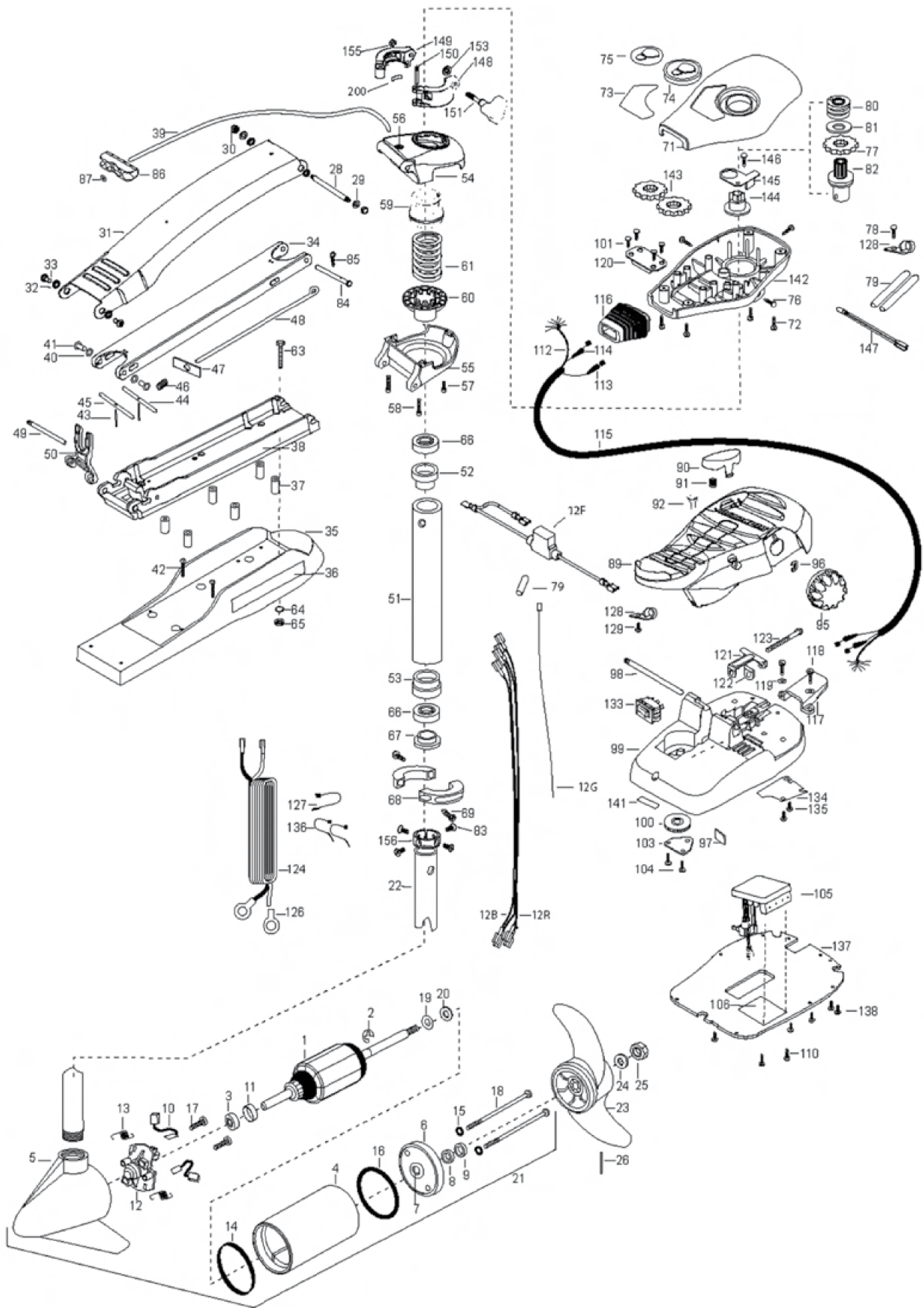
MINN KOTA®

MAX 55 SC - 52 INCHES
(ANCIEN MODÈLE)

1	2-100-115	ARMATURE ASSEMBLY 12V 3.625 5SPC 55#	55	272319	BRACKET BASE TOPIEYELET ASSEMBLY	115	2266412	SWITCH PLATE, FT PEDAL
2	788-015	RETAINING RING	56	2991771	BRKT BTM/BEARING FW ASSEMBLY	116	2332103	SCREW-6-20 X 3/8 THD SS [2.EA]
3	140-010	BALL BEARING	57	272352	EYELET KIT	117	2261208	WIRE HARNESS, AT FT. PHD
4	2-200-101	CENTER HOUSING ASSEMBLY 3.625 FW TXT	58	2263423	SCREW 5/16-18 X 1" SHCS ZINC	118	2267505	CABLE ASSY-RIGHT (5)
5	2-300-196	BRUSH END HOUSING ASSEMBLY 3.62 SPCO	59	2263425	SCREW 5/16-18 X 2 1/2" SHCS [2.EA]	119	2267515	CABLE ASSY-LEFT (5)
6	2-400-101	PLAIN END HOUSING ASSEMBLY	60	2071541	SPRING-SLEEVE UPPER	120	2265430	CABLE JACKET (5)
7	144-049	BEARING - FLANGE (SERVICE ONLY)	61	2071535	SPRING SLEEVE, LOWER	121	2265110	BOOT-CONTROL BOX
8	880-003	SEAL	62	2262706	SPRING, BOWGUARD, NIK PL	122	2265115	BOOT-FOOT PEDAL BASE
9	880-006	SEAL WITH SHIELD	63	2272016	TUBE W/BEARING RACE ASSEMBLY	123	2372100	SCREW-8-18 X 5/8 THD SS [2.EA]
10	188-036	BRUSH ASSEMBLY [2.EA]	64	2272067	TUBE OUTER-24" 4 HOLES	124	2261714	WASHER-MAXXUM FT PDL [2.EA]
11	725-050	BRUSH RETENTION- PAPER TUBE	65	2266260	BEARING RACE	125	2261901	BRACKET-CONDUIT
12	738-036	BRUSH PLATE W/HOLDER	66	2266220	BEARING RACE-STEEL	126	2301310	SCREW-8-18 X 1/2 SS [2.EA]
13	975-040	SPRING - TORSION [2.EA]	67	2266000	BEARING BALL-STEEL [2.EA]	127	2269310	BRACKET-CONDUIT ADJUSTMEN
14	337-036	GASKET	68	2266115	BEARING CONE	128	2263104	NYLOCK KEEPER
15	701-008	O-RING, THRU-BOLT [2.EA]	69	2711617	COLLAR HALF-ZINC- 2 PER KIT	129	2263463	SCREW-1/4-20 X 2" STL PPH
16	701-081	O-RING	70	2263452	SCREW-1/4-20 X 3/4" SHCS [2.EA]	130	2355410	SHRINK TUBE-3/8 OD X 2"
17	830-007	THRU-BOLT 10-32X8.83" [2.EA]	71	2260283	CONTROL BOX COVER -MAXXUM	131	2261225	LEADWIRE- BATTERY
18	830-042	WASHER- STEEL THRUST	72	2372100	SCREW-8-18 X 5/8" THD SS [4.EA]	132	2256300	TIE WRAP-5.5" BLACK
19	990-067	WASHER- NYLATRON [2.EA]	73	2265655	DECAL-COVER MAX55/SC	133	2269320	CLAMP WIRE HARNESS MICRO [2.EA]
20	990-070	MOTOR ASSEMBLY 12V 3.625 5SPC FW 55#	74	2260150	POINTER DISC SHORT RED	134	2332103	SCREW-6-20 X 3/8 THDT SS
21	2097099	TUBE (COMP) 4 HOLE- 52"	74A	2261733	WASHER-FOAM, INDICATOR	135	2260301	CONNECTING WIRE (SWITCH)
22	2032006	PROPELLER (W,WEDGE 2)	76	2265800	DECAL-INDICATOR	136	2260912	WIRE,BLK WWHT STRP 19 1/2
23	2091160	WASHER-5/16 STD SS	77	2053414	SHRINK TUBE-1/4OD X 1-3/4" [2.EA]	137	2260322	WIRE,BLK W/BLU STRP-12"
24	2151726	NUT-DRIVE (95-4HP'S) SS	78	2267800	GEAR-INDICATOR	138	2256301	TIE WRAP-5.5" WHITE
25	2092600	WASHER 1/4 FLAT ZINC [4.EA]	80	2264015	LIGHT/INDICATOR	141	9953104	BOTTOM PLATE MAX FOOT PED
26	9008236	NUT- TENSION 5/16-18 SS [2.EA]	81	2020713	TERMINAL-ADAPTOR, MAX [2.EA]	142	2262535	SCREW-8 X 1/2" SS [8.EA]
27	2262605	PIN- BWGRD UPPER THREADED	82	2355410	SHRINK TUBE 3/8 OD X 2	144	2262220	CONTROL BOX-PLASTIC
28	2262607	CLEVIS PIN ZP MAXXUM BWGRD	84	2232360	PULLEY-CABLE DRUM	145	2261905	GEAR-INDICATOR [2.EA]
29	2260805	PULL-GRIP	85	2261730	WASHER-NYLON AIT CON B	146	2301310	INDICATOR-DRIVE
30	2150400	WASHER-EYE SHAFT(.562 OD)	87	2996247	TOP BEARING RACE/PINION DR	147	2994830	BRACKET/INDICATOR
31	2991841	ARM-UPPER FW LONG	88	2223468	SCREW-8-32 X 7/16" ZN PL [4.EA]	148	2263430	BAG ASSEMBLY-MAXXUM
32	2293501	BUSHING, STAINLESS STEEL [4.EA]	90	2994496	FOOT PEDAL/PLUG ASSEMBLY (AT)	149	2261713	SCREW 1/4-20 X 3.5" PPH [6.EA]
33	2994317	ARM-LOWER ASSEMBLY LONG FW,EXT	91	2302732	SPRING-LOWER PEDAL SS	150	2260330	WASHER-1/4 FLAT SS [6.EA]
34	2263500	BOLT- SHOULDER (MAXXUM) [2.EA]	92	2264020	SWITCH-MICROSWITCH	151	2260333	NUT-1/4-20 NYLOCK-JAM SS [6.EA]
35	2994317	MOTOR REST LONG MAXXUM	93	2265140	BOOT-MICROSWITCH	152	2260332	WIRE EXTENSION- 10GA BLK 9"
36	2263913	DECAL-MAXXUM,MOTOR REST [2.EA]	94	2263100	SCREW-MOUNTING/SWITCH [2.EA]	153	2260333	WIRE EXTENSION- 10GA YEL 9"
37	2265514	SPACER, MOTOR REST [6.EA]	95	2263100	NUT-SWITCH MOUNT [2.EA]	154	2355410	SHRINK TUBE 3/8 OD X 2 [2.EA]
38	2273986	BOWPLATE/INST ASSEMBLY STD FW	96	2264026	SWITCH-5 SPEED (ALL TERRAIN)	155	2991550	SHRINK TUBE 1/4 OD X 1-3/4 [2.EA]
39	2251700	ROPE (40"), MAXXUM MOUNT	98	2261701	LOCKWASHER-STAR	156	2071550	CLAMP COLLAR "A"
40	2261608	BEARING NYLINER [2.EA]	99	2263105	NUT-HEX	157	2071555	CLAMP COLLAR "B"
41	2267318	SCREW, 8-18 X 1" PPH SS [2.EA]	100	2261715	SPACER-SWITCH 5 SP MODELS	158	2072621	PIN-KNURLED
42	2152610	SPRING-PIN LOCKBAR [2.EA]	101	2280110	KNOB-SPEED CONTROL (5 SPD)	159	2281505	KNOB-CLAMP COLLAR
43	2238600	LOCK BAR- BOW MOUNT	102	2263000	E-RING TRU-ARCH#5133-43	161	2071718	WASHER #10 NYLON RETAINING
44	2233602	LOCK BAR, REAR - ZINC	103	2260730	CONNECTOR 1/4 MALE TAB OD	162	2071716	WASHER - FLAT SS
45	2262703	SPRING STOP	105	2332103	SCREW-6-20 X 3/8" THD SS	164	2071560	SPLIT COLLAR
46	2153604	EYE SHAFT-2LOCKBAR LONG -PL	106	2266413	TENSION SCREW PLATE FTPE	200	2075120	URETHANE PAD
47	2260506	HINGE-PIN HEADLESS ZINC	107	2260511	PIN-PIVOT AT FT PDL			
48	2293811	YOKE,MAX MNT-POLYPROPYLENE	108	2992102	FT PED BASE/PIN ASSEMBLY SONAR			
49	2991762	BOWGUARD ASSEMBLY- FT CTRL FW	109	2262301	PULLEY- FOOT PEDAL			
			110	2266400	COVER-PULLEY STAMPING			
			111	2223430	SCREW- #8 X3/4 SS PPH TYPE 25 [4.EA]			
			112	2254031	SWITCH-M0M/OFF/CON			

* This item is part of an assembly. This item cannot be sold separately due to machining and /or assembly that is required.

MAX 55 - 42 INCHES
(ANCIEN MODÈLE)





MINN KOTA®

MAX 55 - 42 INCHES

(ANCIEN MODÈLE)

1	2-100-117	ARMATURE ASSEMBLY 12V 3.62 FW SW	47	2262703	SPRING STOP- MAXXUM	100	2262301	PULLEY- FOOT PEDAL
2	788-015	RETAINING RING	48	21523602	EYE SHAFT- 2LOCKBAR STD	101	2234430	SCREW- #8X3/4 PPH TYPE 25 SS [4.EA]
3	140-010	BELL BEARING	49	2260506	HINGE-PIN HEADLESS ZINC	103	2266400	COVER- PULLEY
4	431-101	CENTER HOUSING ASSEMBLY 3.62 FW TXT	50	2293811	YOKE- MAXXUM MOUNT,POLYPROPYLENE	104	2301310	SCREW- 8-18 X 1/2 [4.EA]
5	421-065	HOUSING BRUSH END 3.62 TXT	51	2272012	TUBE W/BEARING RACE ASSEMBLY	105	2264053	CONTROL BOARD ASSEMBLY 12V MAX
6	2-400-101	PLAIN END HOUSING ASSEMBLY	52	2272069	TUBE OUTER-21" 4 HOLES	106	2365107	INSULATING PAD (2.3X3.2)
7	144-049	BEARING - FLANGE (SERVICE CENTER ONLY)	53	2266220	BEARING RACE	110	2223455	SCREW- 10-32 X 1/2" [2.EA]
8	880-003	SEAL	54	2266220	BEARING RACE- STEEL	112	2261220	WIRE HARNESS AT & MAX
9	880-006	SEAL WITH SHIELD	55	2991762	BOWGUARD ASSEMBLY- FT CTRL,FW	113	2267505	CABLE ASSEMBLY- RIGHT (5)
10	188-036	BRUSH ASSEMBLY [2.EA]	56	2772319	BRKT BOTTOM/BEARING FW ASSEMBLY	114	2267515	CABLE ASSEMBLY- LEFT (5)
11	725-050	BRUSH RETENTION- PAPER TUBE	57	2263423	EYELET- KIT	115	2265430	CABLE JACKET (5)
12	738-036	BRUSH PLATE W/HOLDER	58	2263425	SCREW 5/16-18 X 1" SHCS ZINC	116	2265110	BOOT- CONTROL BOX
12B	640-013	BRUSH LEAD BLK 10 AWG	59	2071541	SCREW 5/16-18 X 2 1/2 SCHS [2.EA]	117	2265115	BOOT- FOOT PEDAL BASE
12R	640-117	BRUSH LEAD RED 10 AWG	60	2071535	SPRING SLEEVE- UPPER	118	2372100	SCREW- 8-18X5/8 THD [2.EA]
12G	640-315	GROUND WIRE 42" (US MODELS ONLY)	61	2262706	SPRING SLEEVE- LOWER	119	2261714	WASHER- MAXXUM FT PDL [2.EA]
12F	2218200	FUSE HOLDER (US MODELS ONLY)	62	2262706	SPRING- BOWGUARD, NIK PL	120	2261901	BRACKET- CONDUIT
13	975-040	GASKET	63	2994830	BAG ASSEMBLY- MAXXUM	121	2263210	BRACKET- CONDUIT ADJUST
14	337-036	O-RING, THRU-BOLT [2.EA]	64	2263431	SCREW- 1/4-20 X 3.5 PPH [6.EA]	122	2268304	NYLOCK KEEPER
15	701-008	O-RING	65	2261713	WASHER- 1/4 FLAT S/S [6.EA]	123	2263463	LEADWIRE- VARIABLE
16	701-081	SCREW-8-32 [2.EA]	66	2266000	NUT- 1/4-20 NYLOCK-JAM SS [6.EA]	124	2261233	TERMINAL RING- 3/8" [2.EA]
17	830-007	THRU-BOLT 10-32X8.88 [2.EA]	67	2266115	BEARING BALL- STEEL [2.EA]	126	2020700	TIE WRAP- 5.5" BLACK
18	830-042	WASHER- STEEL THRUST	68	2261619	BEARING CONE	127	2256300	CLAMP WIRE HARNESS MICRO [2.EA]
19	990-067	WASHER- NYLATRON [2.EA]	69	2263452	COLLAR HALF- ZINC [2.EA]	128	2268301	CLAMP WIRE HARNESS MICRO [2.EA]
20	990-070	MOTOR ASSEMBLY 12V FW VARS 55#	70	2262883	SCREW- 1/4-20X3/4 [2.EA]	129	2332103	SCREW- 6-20X3/8 THD (SS)
21	2032003	TUBE- COMPOSITE 4 HOLE 42"	71	22620283	CONTROL BOX COVER- MAXXUM	130	2254031	SWITCH- MOM/OFF/CON
22	1378131	PROPELLER KIT	72	23272100	SCREW- 8-18 X 5/8 THD [4.EA]	134	2266412	SWITCH PLATE- FT PEDAL
23	2091160	PROPELLER W/WEDGE 2	73	2265656	DECAL- COVER MAX 55/FC	135	2332103	SCREW- 6-20X3/8 THD SS [2.EA]
24	2151728	WASHER-5/16 SS	74	2260150	POINTER DISC TRNSLCT RED	136	2256301	TIE WRAP- 5.5" WHITE [2.EA]
25	2053101	NUT-PROP NYLOC	74A	2261733	WASHER-FOAM, INDICATOR	137	2266414	BOTTOM PLATE- MAX FOOT PEDAL
26	2092600	PIN-DRIVE	75	2265800	DECAL- INDICATOR	138	9953104	SCREW-8 X 1/2" (SS) [5.EA]
28	2262605	PIN- BWGRD UPPER THREADED ZP	76	2053414	SCREW- 8-32 X 1/2 TRI-LLOBE [3.EA]	141	2266610	DECAL- ON/OFF SWITCH
29	9908236	WASHER- 1/4 FLAT ZINC [2.EA]	77	2267800	GEAR- INDICATOR	142	2262535	CONTROL BOX- PLASTIC
30	2223100	NUT- TENSION 5/16-18 SS [2.EA]	78	2372100	SCREW- 8-18 X 5/8"	143	2267800	GEAR- INDICATOR [2.EA]
31	2991840	MOUNT- BOW/ASSY, W/O BGRD, STD FW	79	2355410	SHRINK TUBE- 3/8 OD X 2" [2.EA]	144	2262220	INDICATOR- DRIVE
32	2264241	ARM-UPPER STD FW	80	2232360	PULLEY- CABLE DRUM	145	2261905	BRACKET/INDICATOR
33	2263500	BUSHING- STAINLESS STEEL [4.EA]	81	2261730	WASHER- NYLON A/T CON	146	2301310	SCREW- 8-18X1/2"
34	2994307	BOLT- SHOULDER MAXXUM [2.EA]	82	2996247	TOP BEARING RACE /PINION DRIVE	147	2264015	LIGHT/INDICATOR
		ARM-LOWER ASSEMBLY,STD,FW,EXTRA [INCLUDES 39, 43-47, 86,87]	83	2223468	SCREW- 8-32 X 7/16 [7.EA]	148	2071550	CLAMP COLLAR ASSEMBLY
35	2263912	MOTOR REST (STD) FW	84	2262607	PIN- CLEVIS ZP MAXXUM BWGRD	149	2071555	CLAMP COLLAR "A"
36	2265514	DECAL- MAXXUM MOTOR REST [2.EA]	85	2260805	PULL- GRIP	150	2072621	CLAMP COLLAR "B"
37	2261505	SPACER- MOTOR REST [6.EA]	86	2150400	WASHER- EYE SHAFT (.562 OD)	151	2281505	PIN-KNURLED
38	2773987	BOWPLATE- W/INSERT	87	2151700	FOOT PEDAL/PLUG ASSEMBLY	153	2071718	KNOB-CLAMP COLLAR
39	2251601	ROPE (40"), MAXXUM MOUNT	89	2994496	PUSH- BUTTON MAGNET ASSY	155	2073102	WASHER #10 NYLON RETAINING
40	2261708	WASHER- 3/8X1/2X.010 SS [2.EA]	90	2993705	SPRING- LOWER PEDAL	156	2071560	NUT - HEX 1/4 - 28 SS
41	2267318	BEARING NYLINER [2.EA]	91	2302732	CLIP REED SWITCH	200		SPLIT COLLAR
42	2263434	SCREW, 8-18X1" PPH [2.EA]	92	2260810	KNOB- SPEED CONTROL (VAR)			URETHANE PAD
43	2152610	SPRING- PIN LOCKBAR [2.EA]	95	2280115	E-RING THU-ARC			
44	2233600	LOCK BAR- BOW MOUNT	96	2263000	TENSION SCREW PLATE FT PEDAL			
45	2233602	LOCK BAR REAR - ZINC	*98	2260511	PIN- PIVOT A/T FT PDL			
46	2152700	SPRING- LOCKBAR CAD,PLTD	99	2992102	FT PEDAL BASE/PIN ASSEMBLY			

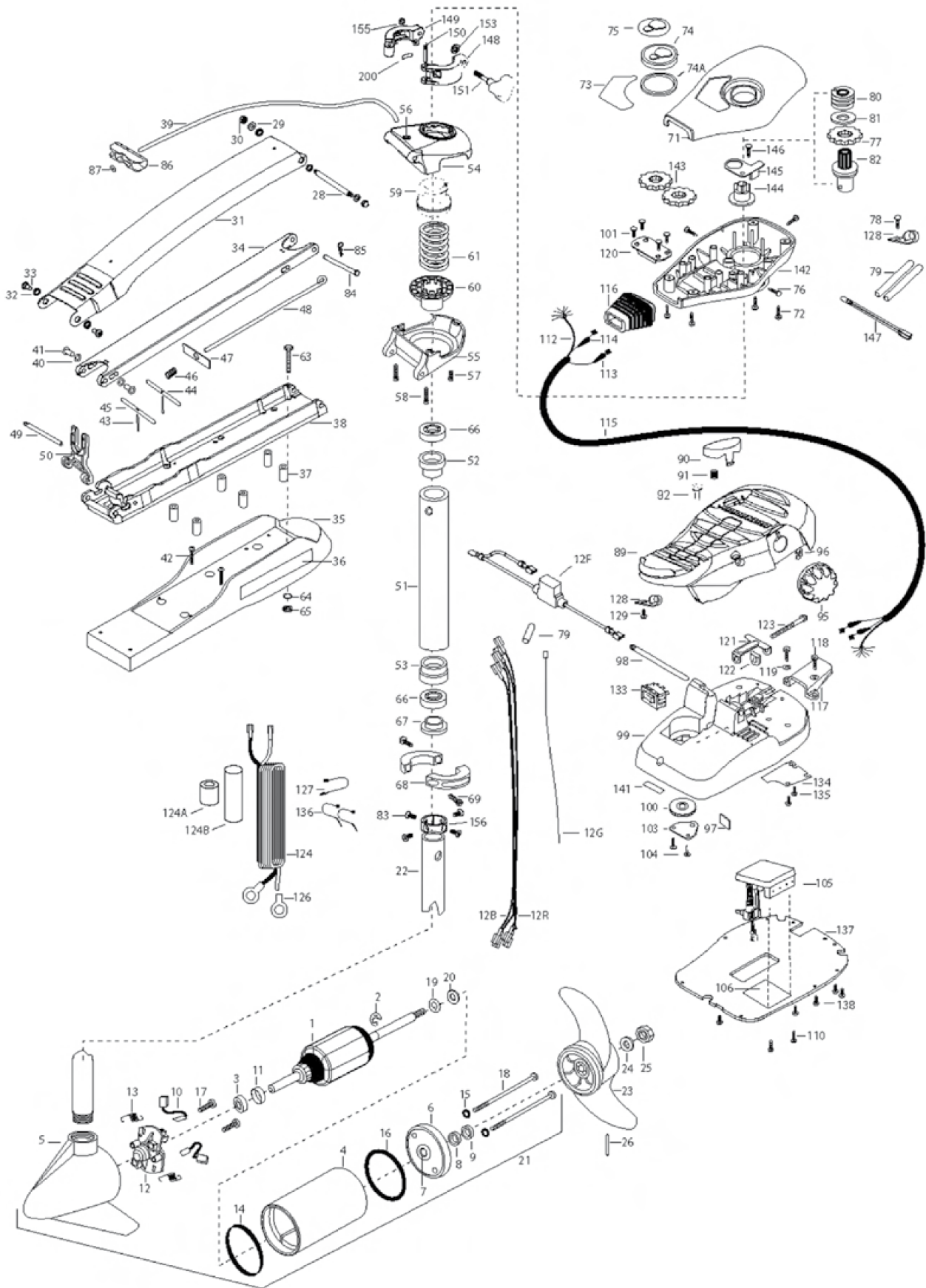
* This item is part of an assembly. This item cannot be sold separately due to machining and /or assembly that is required.



MINN KOTA®

MAX 55 - 52 INCHES

(ANCIEN MODÈLE)



MINN KOTA®

W W W . N A V I C O M . F R





MINN KOTA®

MAX 55 - 52 INCHES

(ANCIEN MODÈLE)

1	2-100-117	ARMATURE ASSEMBLY 12V 3.62 FW SW	47	2262703	SPRING STOP- MAXXUM	100	2282301	PULLEY- FOOT PEDAL
2	788-015	RETAINING RING	48	2153604	EYE SHAFT- 2/LOCKBAR LNG	101	2223430	SCREW- #8X3/4 PPH TYPE 25 SS [4.EA]
3	140-010	BALL BEARING	49	2260506	HINGE-PIN HEADLESS ZINC	103	2286400	COVER- PULLEY
4	2-200-101	CENTER HOUSING ASSEMBLY 3.62 TXT MAG	50	2293811	YOKE- MAXXUM MOUNT,POLYPROPYLENE	104	2301310	SCREW- 8-18 X 1/2 [4.EA]
5	421-065	HOUSING BRUSH END 3.62 TXT	51	2722016	TUBE W/BEARING RACE ASSEMBLY	105	2264053	CNTRL BOARD ASSEMBLY 12V MAX
6	2-400-101	PLAIN END HOUSING ASSEMBLY	52	2272067	TUBE OUTER-2 1/4" 4 HOLES	106	2365107	INSULATING PAD (2.3X3.2)
7	144-049	BEARING - FLANGE (SERVICE CENTER ONLY)	53	2266220	BEARING RACE	110	2223455	SCREW- 10-32 X 1/2" [2.EA]
8	880-003	SEAL	54	2266220	BEARING RACE- STEEL	112	2261220	WIRE HARNESS AT & MAX
9	880-006	SEAL WITH SHIELD	55	2991762	BOWGUARD ASSEMBLY- FT CTRL,FW	113	2267505	CABLE ASSEMBLY- RIGHT (5')
10	188-036	BRUSH ASSEMBLY [2.EA]	56	2772319	BRKT BOTTOM/BEARING FW ASSEMBLY	114	2265110	CABLE ASSEMBLY- LEFT (5')
11	725-050	BRUSH RETENTION- PAPER TUBE	57	2263423	EYELET- KIT	116	2265110	BOOT- CONTROL BOX
12	738-036	BRUSH PLATE WHOLDER	58	2263423	SCREW 5/16-18 X 1" SHCS ZINC	117	2265115	BOOT- FOOT PEDAL BASE
12B	640-008	BRUSH LEAD BLK 10 AWG	59	2071541	SCREW 5/16-18 X 2 1/2" SHCS [2.EA]	118	2372100	SCREW- 8-18X5/8 THD [2.EA]
12R	640-107	BRUSH LEAD RED 10 AWG	60	2071535	SPRING SLEEVE- UPPER	119	2261714	WASHER- MAXXUM FT PDL [2.EA]
12G	640-316	GROUND WIRE 52" (US MODELS ONLY)	61	2262706	SPRING SLEEVE- LOWER	120	2261901	BRACKET- CONDUIT
12F	2218200	FUSE HOLDER (US MODELS ONLY)	62	2262706	SPRING- BOWGUARD, NIK PL	121	2263210	BRACKET- CONDUIT ADJUST
13	975-040	SPRING - TORSION [2.EA]	63	2994830	BAG ASSEMBLY- MAXXUM	122	2263104	NYLOCK KEEPER
14	337-036	GASKET	64	2261713	SCREW- 1/4-20 X 3.5 PPH [6.EA]	123	2263463	SCREW- 1/4-20X2" STL PPH
15	701-008	O-RING, THRU-BOLT [2.EA]	65	2263103	WASHER- 1/4 FLAT S/S [6.EA]	124	2261233	LEADWIRE- VARIABLE
16	701-081	O-RING	66	2266000	NUT- 1/4-20 NYLOCK-JAM SS [6.EA]	124A	2307310	BEAD - FERRITE (CE MODELS ONLY)
17	830-007	SCREW- #8-32 [2.EA]	67	2266115	BEARING BALL- STEEL [2.EA]	124B	2075401	HEAT SHRINK 1.10" OD X 3.5" (CE MODELS ONLY)
18	830-042	THRU-BOLT 10-32X8.83 [2.EA]	68	226115	BEARING CONE	126	2020700	TERMINAL RING- 3/8" [2.EA]
19	990-067	WASHER- STEEL THRUST	69	2263452	COLLAR HALF- ZINC [2.EA]	127	2256300	TIE WRAP - 5.5" BLACK
20	990-070	WASHER- NYLATRON [2.EA]	70	2262883	SCREW- 1/4-20X3/4 [2.EA]	128	2263201	CLAMP WIRE HARNESS MICRO [2.EA]
21	2097090	MOTOR ASSEMBLY 12V FW VARS 55#	71	2262100	CONTROL BOX COVER- MAXXUM	129	2332103	SCREW- 6-20X3/8 THD (SS)
22	2032006	TUBE- COMP 52"	72	2262883	SCREW- 8-18 X 5/8 THD [4.EA]	133	2254031	SWITCH- MOM/OFF/CON
23	1378131	PROPELLER KIT	73	2265656	DECAL- COVER MAX 55/FC	134	2266412	SWITCH PLATE- FT PEDAL
24	2091160	PROPELLER W/W WEDGE 2	74	2260150	POINTER DISC TRNSLNT RED	135	2332103	SCREW- 6-20X3/8 THD SS [2.EA]
25	2151726	WASHER-5/16 SS	74A	2261733	WASHER-FOAM, INDICATOR	136	2256301	TIE WRAP - 5.5" WHITE [2.EA]
26	2053101	NUT-PROP NYLOC	75	2265800	DECAL- INDICATOR	137	2266414	BOTTOM PLATE- MAX FOOT PEDAL
28	2092600	PIN-DRIVE	76	2053414	SCREW- 8-32 X 1/2 TRI-LOBE [3.EA]	138	9953104	SCREW- 8 X 1/2" (SS) [5.EA]
28	2262605	PIN- BWGRD UPPER THREADED ZP	77	2267800	GEAR- INDICATOR	141	2266610	DECAL- ON/OFF SWITCH
29	9908236	WASHER- 1/4 FLAT ZINC [2.EA]	78	2372100	SCREW- 8-18 X 5/8	142	2262535	CONTROL BOX- PLASTIC
30	2223100	NUT- TENSION 5/16-18 SS [2.EA]	79	2355410	SHRINK TUBE- 3/8 OD X 2" [2.EA]	143	2267800	GEAR- INDICATOR [2.EA]
31	2291841	MOUNT- BOW ASSY, W/O BG LNG FW MAX	80	2232360	PULLEY- CABLE DRUM	144	2262220	INDICATOR- DRIVE
32	2264246	ARM-UPPER LNG FW	81	2261730	WASHER- NYLON AT CON	145	2261905	BRACKET/INDICATOR
32	2293501	BUSHING- STAINLESS STEEL [4.EA]	82	2296247	TOP BEARING RACE /PINION DRIVE	146	2301310	SCREW- 8-18X1/2"
33	2263500	BOLT- SHOULDER MAXXUM [2.EA]	83	2223468	SCREW- 8-32 X 7/16 [4.EA]	147	2264015	LIGHT/INDICATOR
34	2994317	ARM-LOWER ASSEMBLY,LNG,FW,EXTRA [INCLUDES 39, 43-47, 86,87]	84	2262607	PIN- CLEVIS ZP MAXXUM BWGRD	148	2991550	CLAMP COLLAR ASSEMBLY
35	2263913	MOTOR REST LONG MAXXUM	85	2260805	CLIP- SPRING ZP MAX BG	148	2071550	CLAMP COLLAR "A"
36	2265514	DECAL- MAXXUM MOTOR REST [2.EA]	86	2150400	PULL- GRIP	149	2071555	CLAMP COLLAR "B"
37	2261505	SPACER- MOTOR REST [6.EA]	87	2151700	WASHER- EYE SHAFT (.562 OD)	150	2072621	PIN-KNURLED
38	2273986	BOWPLATE- W/INSERT LG FW TXT	89	2994496	FOOT PEDAL/PLUG ASSEMBLY	151	2281505	KNOB-CLAMP COLLAR
39	2251601	ROPE (40"), MAXXUM MOUNT	90	2993705	PUSH- BUTTON MAGNET ASSY	153	2071718	WASHER #10 NYLON RETAINING
40	2261708	WASHER- 3/8X1/2X.010 SS [2.EA]	91	2302732	SPRING- LOWER PEDAL	155	2073102	NUT - HEX 1/4 - 28 SS
41	2267318	BEARING NYLINER [2.EA]	92	2260810	CLIP, REED SWITCH	156	2071560	SPLIT COLLAR
42	2263434	SCREW, 8-18X1" PPH [2.EA]	95	2280115	KNOB- SPEED CONTROL (VAR)	200	2075120	URETHANE PAD
43	2152610	SPRING- PIN LOCKBAR [2.EA]	96	2266300	E-RING THU-ARC			
44	2233600	LOCK BAR- BOW MOUNT	97	2266413	TENSION SCREW PLATE FT PEDAL			
45	2233602	LOCK BAR REAR - ZINC	*98	2260511	PIN- PIVOT AT FT PDL			
46	2152700	SPRING- LOCKBAR CAD,PLTD	99	2992102	FT PEDAL BASE/PIN ASSEMBLY			

* This item is part of an assembly. This item cannot be sold separately due to machining and /or assembly that is required.