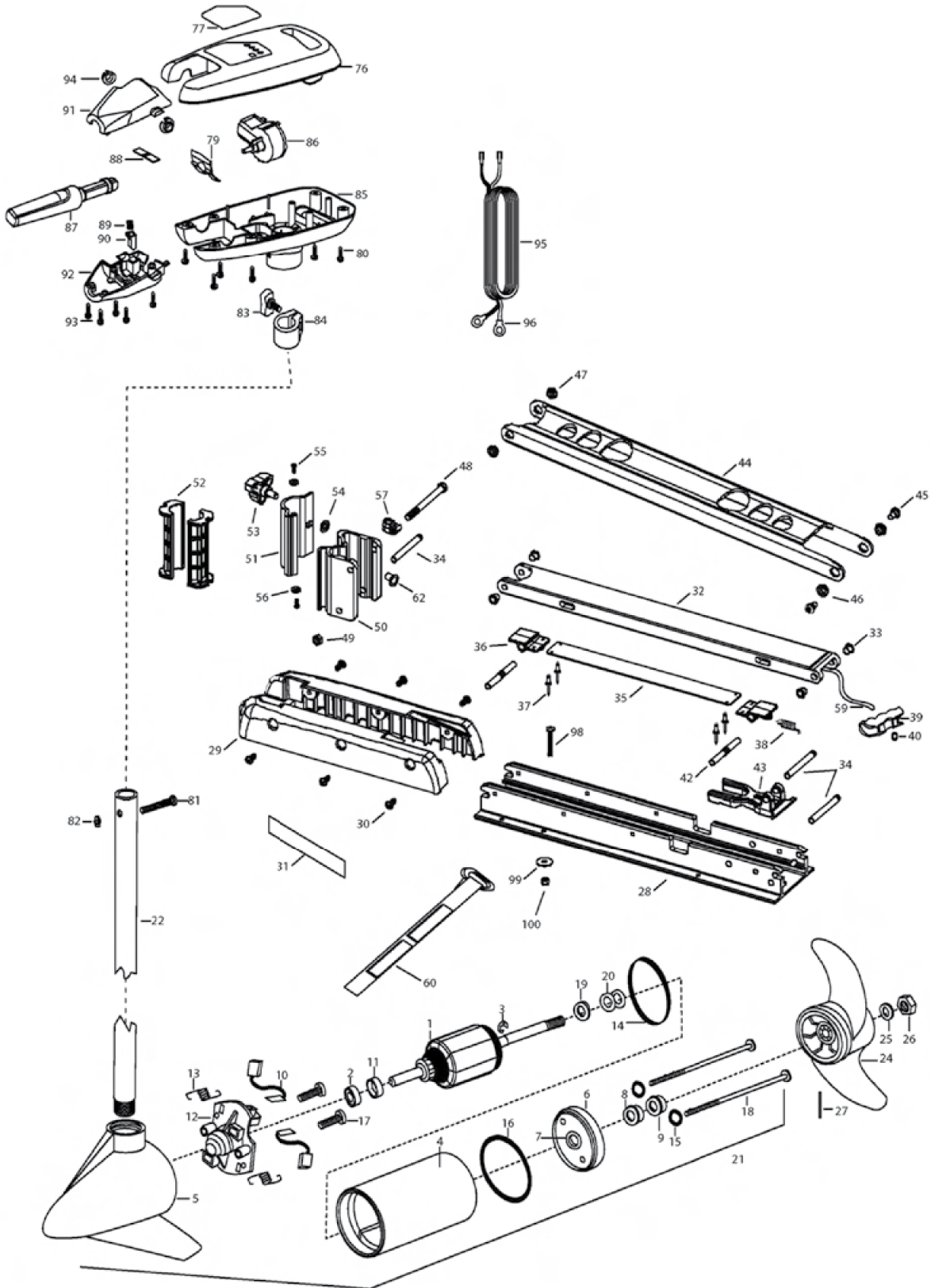


EDGE 55 HAND CONTROL
(ANCIEN MODÈLE)





MINN KOTA®

EDGE 55 HAND CONTROL

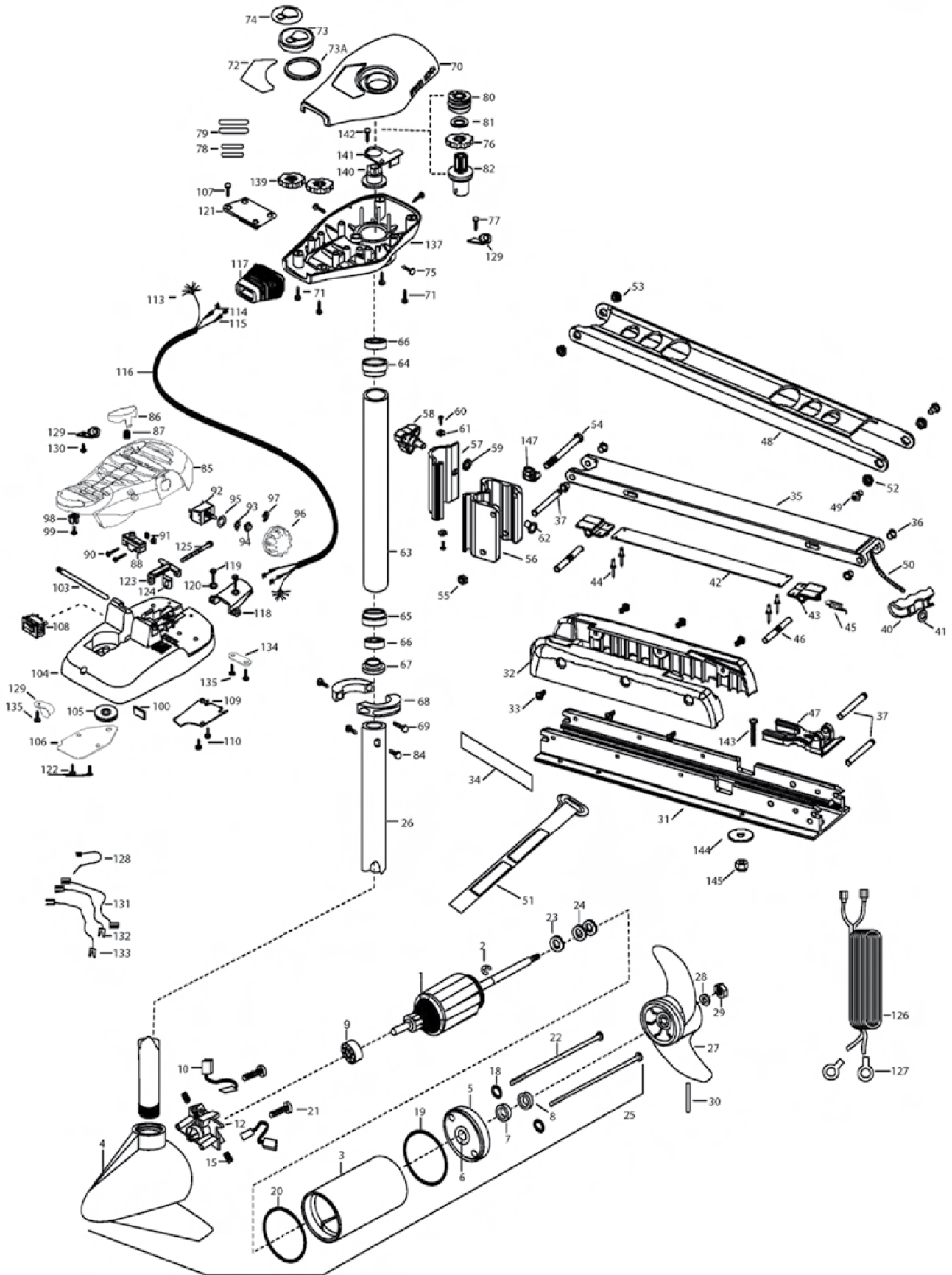
(ANCIEN MODÈLE)

1	2-100-117	ARMATURE ASSEMBLY 12V 3.625	34	2260503	PIVOT PIN [3 EA.]	84	2031520	COLLAR-DEPTH W/O INSERT
2	140-010	BEARING-BALL	☒	2993811	LATCH STRAP ASSEMBLY, STD, 45"	85	2062551	CONTROL BOX PLAS W/HAND
3	788-015	RETAINING RING	35	2263605	LATCH STRAP, STD, 45"	86	2064023	SWITCH-FWD/REV 5SP
4	2-200-101	CENTER HOUSING ASSEMBLY	36	2261902	BRACKET-LATCH [2 EA.]	87	2990912	HANDLE ASSEMBLY-W/U-JOINT 5SP
5	2-300-199	BRUSH END HOUSING ASSEMBLY SPDCO	37	2268602	RIVET 1/8" SS [4 EA.]	88	2302742	SPRING-DETENT OFF
6	2-400-101	PLAIN END HOUSING ASSEMBLY	38	2262709	SPRING-LATCH PIN	89	2302745	SPRING-RELEASE BUTTON
7	144-049	BEARING- FLANGE SERVICE ONLY	39	2150400	PULL-GRIP	90	2303720	RELEASE BUTTON-HANDLE
8	880-003	SEAL	40	2151700	WASHER-EYE SHAFT .562 OD	91	2060408	HANDLE- TOP HALF
9	880-006	SEAL-W/SHIELD	42	2260501	LATCH PIN [2 EA.]	92	2060415	HANDLE- LOWER HALF
10	188-036	BRUSH ASSEMBLY [2EA]	43	2261544	YOKE-TUBE	93	2303412	SCREW-6-20 X 5/8 SELF TAP [5.EA]
11	725-035	TUBE- BRUSH RETENTION	44	2264262	ARM-UPPER, FW, STD, 45"	94	2060005	BEARING-HANDLE PIVOT [2.EA]
12	738-036	BRUSH PLATE WITH HOLDER	45	2263510	BOLT-SHOULDER, SS [2 EA.]	95	2090650	LEADWIRE -10 GA RINGS
13	975-040	SPRING- TORSION [2.EA]	46	2267302	BUSHING-LOWER 7/16" ID, SS	96	2020700	TERMINAL RING, 3/8" [2.EA]
14	337-036	GASKET	47	2267303	BUSHING-UPPER 3/8" ID, SS	☒	2994838	BAG ASSEMBLY-BOLTS NUTS WASHERS
15	701-008	O-RING THRU BOLT [2.EA]	48	2263505	BOLT 3/8-16 X 4.25"	*98	2263462	SCREW 1/4-20X2 SS [6.EA]
16	701-081	O-RING	49	2263114	NUT-NYLOCK JAM 3/8-16	*99	2261713	WASHER-1/4 FLAT 18-18 [6.EA]
17	830-007	#8-32 SCREW [2.EA]	50	2261872	HINGE BASE, FW	*100	2263103	NUT- 1/4-20 NYLOC-JAM [6.EA]
18	830-042	THRU BOLT 10-32X8.83 [2.EA]	51	2261877	HINGE DOOR, FW			
19	990-067	WASHER- STEEL THRUST	52	2261537	HINGE SLEEVE [2 EA.]			
20	990-070	WASHER-NYLATRON [2.EA]	53	2260905	HANDLE-SOFT GRIP, L&D			
21	2097099	MOTOR ASSEMBLY 12V FW 3.625 5SPCO	54	2261728	WASHER-RETAINING 3/8"			
22	2032068	TUBE- COMPOSITE-52"	55	2053415	SCREW #8-32 X 3/8" TRI [2 EA.]			
☒	1378131	PROPELLER KIT	56	2261732	WASHER #8, NYLON [2 EA.]			
*24	2091160	PROPELLER- W/WEDGE 2	57	2262310	ROPE GUIDE			
*25	2151726	WASHER- 5/16 SS	59	2251601	ROPE- 44.5"			
*26	2053101	NUT-PROP NYLOC	60	2263805	VELCRO STRAP			
*27	2092600	PIN-DRIVE	62	2264703	INSERT - THREADED			
28	2266502	BOWPLATE, FW, STD, 45"	76	2060285	COVER-CONTROL BOX			
29	2263905	MOTOR REST, BLK.	77	2265677	DECAL-COVER EDGE 55/H			
30	2303430	SCREW 1/4-20 X 5/8 [6 EA.]	79	2302743	SPRING-DETENT HANDLE-TILT			
31	2265667	MOTOR REST DECAL, FW [2 EA.]	80	2303412	SCREW-6-20 X 5/8 SELF TAP [6.EA]			
☒	2991700	BOWMOUNT FW ASSEMBLY	81	2033400	SCREW-10-24 X 1-3/4"			
32	2264342	LOWER ARM, FW, STD.	82	2013110	NUT-10-24 HEX (ZCP)			
33	2266002	NYLINER 3/8" SHAFT [4 EA.]	83	2011365	SCREW-COLLAR/NEW KNOB			

* This item is part of an assembly. This item cannot be sold separately due to machining and /or assembly that is required.

EDGE 55

(ANCIEN MODÈLE)





MINN KOTA®

EDGE 55

(ANCIEN MODÈLE)

1	2-100-117	ARM ASSEMBLY 12V 3.625	2251603	ROPE-48" (52" MODEL)	103	2260511	PIN-PIVOT AT FT PDL
2	788-015	RETAINING RING	2263805	VELCRO STRAP	104	2992104	FT PEDAL BASE/PIN ASSEMBLY SONAR
3	2-200-101	HOUSING ASSEMBLY CENTER 3.625 TXT	2267302	BUSHING-LOWER 7/16" ID, SS	105	2262301	PULLEY- FOOT PEDAL
4	2-300-195	HOUSING-ASSEMBLY BRUSH END 3.625 SP/CO	2267303	BUSHING-UPPER 3/8" ID, SS	106	2266401	COVER-PULLEY STAMPING
5	2-400-101	PLAIN END HOUSING ASSEMBLY	2263505	BOLT 3/8-16 X 4.25"	107	2223430	SWITCH-#8X 3/4 PPH TYPE 25 SS [4.EA]
6	144-049	BEARING- FLANGE [SERVICE ONLY]	2263114	NUT-NYLON LOCK JAM 3/8-16	108	2254031	SWITCH-MOM/OFF/COM
7	880-003	SEAL	2261872	HINGE BASE, FW	109	2266412	SWITCH PLATE, FT PEDAL
8	880-006	SEAL WITH SHIELD	2261877	HINGE DOOR, FW	110	2332103	SCREW-6-20 X 3/8 THD [2.EA]
9	140-010	BEARING-BALL	2260905	HANDLE-SOFT GRIP L&D	113	2261208	WIRE HARNESS, AT FT PED
10	188-036	BRUSH ASSEMBLY [2.EA]	2261728	WASHER-RETAINING 3/8"	114	2267505	CABLE ASSEMBLY-RIGHT 5"
12	738-036	BRUSH PLATE W/HOLDER 3.25	2053415	SCREW #8-32 X 3/8" TRI [2.EA.]	115	2267515	CABLE ASSEMBLY-LEFT 5"
15	975-040	SPRING-TORSION [2.EA]	2261732	WASHER #8, NYLON [2.EA.]	116	2265430	CABLE JACKET 5"
18	701-008	O-RING [2.EA]	2992012	TUBE W/BEARING RACE ASSEMBLY 21"	117	2265110	BOOT-CONTROL BOX
19	337-036	GASKET	2992016	TUBE W/BEARING RACE ASSEMBLY 24"	118	2265115	BOOT-FOOT PEDAL BASE
20	701-081	O-RING	2264703	INSERT-THREADED	119	2372100	SCREW-8-18 X 5/8 THD [2.EA]
21	830-007	SCREW- SELF-THREAD 8-32X1.7 [2.EA]	2272069	TUBE OUTER-21" 4 HOLES	120	2261714	WASHER-MAXXUM FT PDL [2.EA]
22	830-042	THRU BOLT 8-32 X 8.83 [2.EA]	2272067	TUBE OUTER-24" 4 HOLES	121	2261901	BRACKET-CONDUIT AT/MAX
23	990-067	WASHER- STEEL THRUST	2266260	BEARING RACE	122	2263430	SCREW-8-18 X 3/4" [4.EA]
24	990-070	WASHER- NYLATRON [2.EA]	2266000	BEARING BALL-STEEL [2.EA]	123	2263210	BRACKET- CONDUIT ADJUSTMENT
25	2097098	MTR ASSEMBLY 12V 3.625 5SPD 45"	2266115	BEARING CONE	124	2263104	NYLOCK KEEPER
26	2097099	MTR ASSEMBLY 12V 3.625 5SPD 52"	2261622	COLLAR HALF-ALUMINUM- [2.EA]	125	2263466	SCREW-1/4-20 X 2 STL PPH
27	1378131	PROPELLER KIT	2263453	SCREW-1/4X20 X 1" SHCS SS [2.A]	126	2261235	LEADWIRE-BATTERY
28	2151726	WASHER- 5/16 SS	2260286	COVER-CTR BOX EDGE/FC BLK	127	2020700	TERMINAL RING, 3/8" [2.EA]
29	2053101	NUT-PROP NYLOC	21732100	SCREW-8-18 X 5/8 THD [4.EA]	128	2266300	TIE WRAP-5.5" BLACK
30	2092600	PIN-DRIVE SS	2265673	DECAL-COVER EDGE	129	2263201	CLAMP WIRE HARNESS MICRO [3.EA]
31	2266507	BOWPLATE; FW, LONG, 52"	2261733	WASHER-FOAM, INDICATOR	130	2332103	SCREW-6-20 X 3/8 THD
32	2263905	MOTOR REST, BLK.	2263800	DECAL-INDICATOR	131	2260301	CONNECTING WIRE -SWITCH
33	2303430	SCREW 1/4-20 X 5/8 [6.EA.]	2053414	SCREW-8-32 X 1/2 TRI LOBE [3.EA]	132	2260312	WIRE,BLK W/WHIT- 19 1/2"
34	2265667	MOTOR REST DECAL, FW [2.EA]	2267800	GEAR-INDICATOR	133	2260322	WIRE,BLK W/BLUE -12"
35	2264347	LOWER ARM, FW, LONG	2372100	SCREW-8-18 X 5/8 SS	134	2263205	LEADWIRE CLAMP
36	2266002	NYLINER 3/8" SHAFT [4.EA.]	2375400	SHRINK TUBE-1/4OD X 1-3/4 [2.EA]	135	9953104	SCREW-8 X 1/2" SS
37	2260503	PIVOT PIN [3.EA.]	2355410	SHRINK TUBE-3/8 OD X 2 [2.EA]	139	2267800	CONTROL BOX-PLASTIC
40	2150400	PULL-GRIP	2232360	PULLEY-CABLE DRUM	140	2262220	GEAR-INDICATOR [2.EA]
41	2151700	WASHER-EYE SHAFT .562 OD	2261730	WASHER-NYLON AT	141	2261905	INDICATOR-DRIVE
42	2993812	LATCH STRAP ASSEMBLY, LONG, 52"	2996246	BEARING RACE/ PINION ASSEMBLY	142	2372100	BRACKET/INDICATOR
43	2993811	LATCH STRAP ASSEMBLY, STD, 45"	2263410	SCREW-8-32 X 5/16 ZN PL [2.EA]	143	2994838	SCREW-8-18 X 5/8 (SS)
44	2263607	LATCH STRAP, LONG, 50"	2994496	FOOT PEDAL/PLUG ASSEMBLY AT	*143	2263462	BAG ASSEMBLY
45	2263605	LATCH STRAP, STD, 45"	2283700	PUSH-BUTTON	*144	2261713	SCREW 1/4-20X2 SS [6.EA]
46	2266802	BRACKET-LATCH [2.EA.]	2302732	SPRING-LOWER PEDAL SS	*145	2263103	WASHER-1/4 FLAT 18-18 [6.EA]
47	2262709	RIVET 1/8" SS [4.EA.]	2264026	SWITCH-S SPEED	147	2262301	NUT- 1/4-20 NYLOC-JAM [6.EA]
48	2260501	LATCH PIN [2.EA.]	2261701	LOCKWASHER-STAR	147	2262310	GUIDE ROPE
49	2261544	YOKER-TUBE	2263105	NUT-HEX	147	2262310	SEAL & ORING KIT
49	2264262	ARM-UPPER, FW, LONG, 52"	2261715	SPACER-SWITCH 5 SP MODELS			
49	2263510	ARM-UPPER, FW, STD, 45"	2260110	KNOB-SPEED CONTROL-5SPD			
50	2251601	BOLT-SHOULDER, SS [2.EA.]	2263000	E-RING TRU-ARC			
		ROPE- 44.5" (45" MODEL)	2260730	CONNECTOR 1/4 MALE TAB			
			2332103	SCREW-6-20 X 3/8			
			2266413	TENSION SCREW PLATE FT PEDL			

* THIS ITEM IS PART OF AN ASSEMBLY. THIS ITEM CANNOT BE SOLD SEPARATELY DUE TO MACHINING AND/OR ASSEMBLY THAT IS REQUIRED.