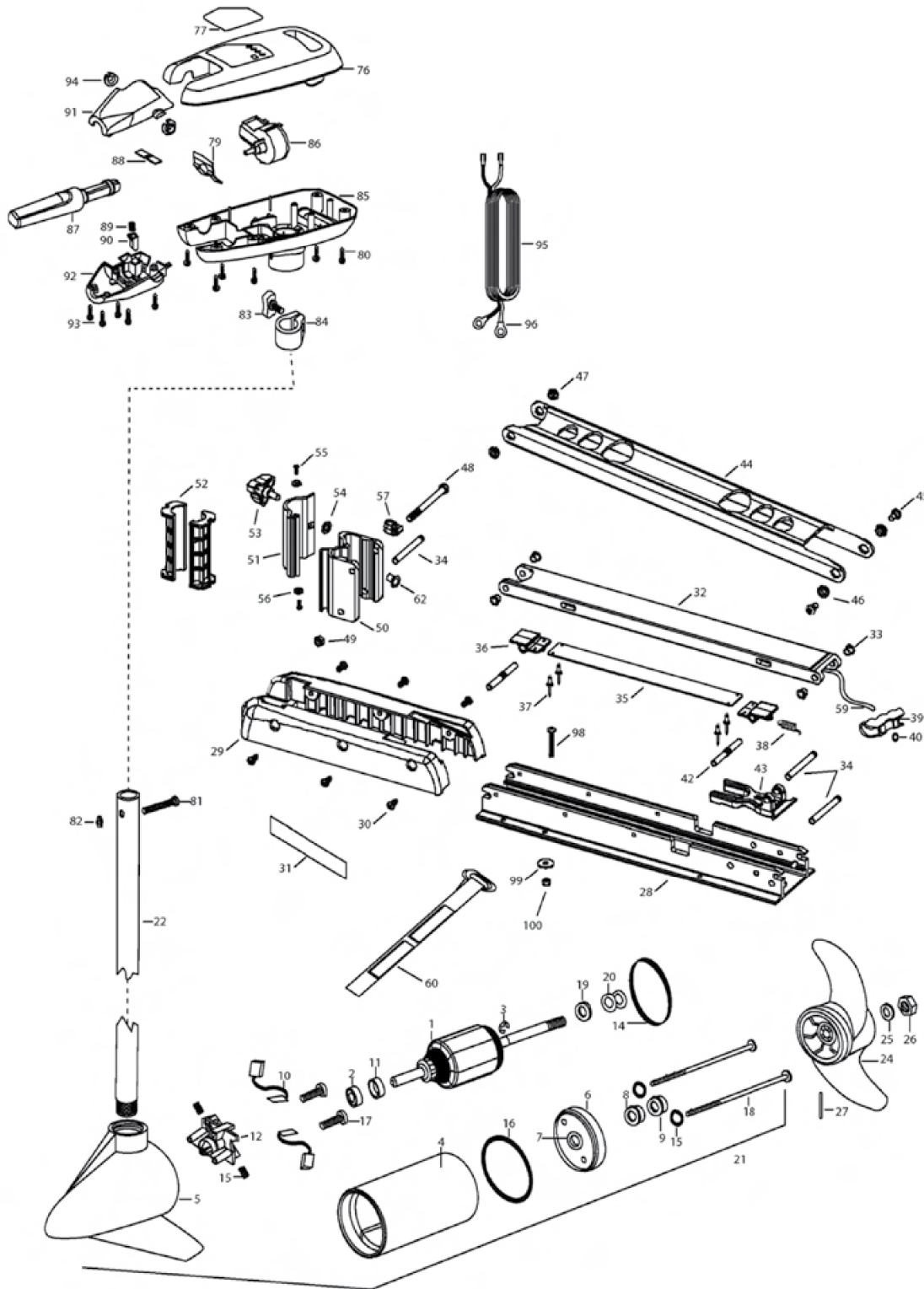


EDGE 45 HAND CONTROL
(ANCIEN MODÈLE)





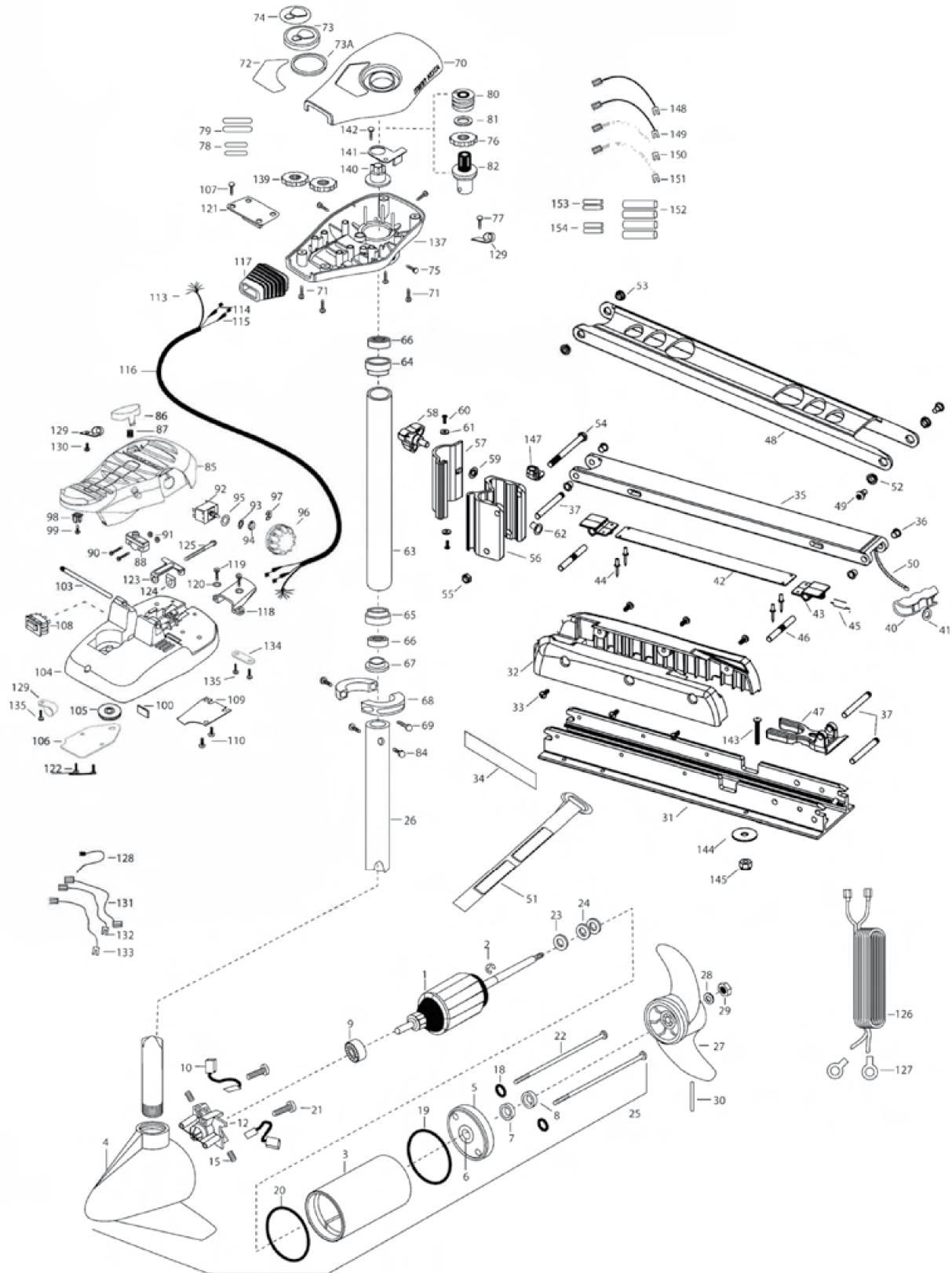
MINN KOTA®

EDGE 45 HAND CONTROL (ANCIEN MODÈLE)

1	2-100-202	ARMATURE ASSEMBLY 12V 3.25	34	2260503	PIVOT PIN [3 EA.]	84	2031520	COLLAR-DEPTH W/O INSERT
2	140-010	BEARING-BALL	☒	2993811	LATCH STRAP ASSEMBLY, STD, 45"	85	2062551	CONTROL BOX PLAS W/HAND
3	788-015	RETAINING RING	35	2263805	LATCH STRAP, STD, 45"	86	2064023	SWITCH-FWD/REV 5SP
4	2-200-079	CENTER HOUSING ASSEMBLY	36	2261902	BRACKET-LATCH [2 EA.]	87	2990912	HANDLE ASSEMBLY-W/U-JOINT 5SP
5	2-300-134	BRUSH END HOUSING ASSEMBLY SPDCO	37	2268602	RIVET 1/8" SS [4 EA.]	88	2302742	SPRING-DETENT OFF
6	2-400-187	PLAIN END HOUSING ASSEMBLY	38	2262709	SPRING-LATCH PIN	89	2302745	SPRING-RELEASE BUTTON
7	144-049	BEARING- FLANGE SERVICE ONLY	39	2150400	PULL-GRIP	90	2303720	RELEASE BUTTON-HANDLE
8	880-003	SEAL	40	2151700	WASHER-EYE SHAFT .562 OD	91	2060408	HANDLE- TOP HALF
9	880-006	SEAL-W/SHIELD	42	2260501	LATCH PIN [2 EA.]	92	2060415	HANDLE- LOWER HALF
10	188-052	BRUSH ASSEMBLY [2.EA]	43	2261544	YOKE-TUBE	93	2303412	SCREW-6-20 X 5/8 SELF TAP [5.EA]
11	725-035	TUBE- BRUSH RETENTION	44	2264262	ARM-UPPER, FW, STD, 45"	94	2060005	BEARING-HANDLE PIVOT [2.EA]
12	738-030	BRUSH PLATE WITH HOLDER	45	2263510	BOLT-SHOULDER, SS [2 EA.]	95	2090650	LEADWIRE -10 GA RINGS
13	975-032	SPRING- COMPRESSION [2.EA]	46	2267302	BUSHING-LOWER 7/16" ID, SS	96	2020700	TERMINAL RING, 3/8" [2.EA]
14	701-039	O-RING MK-406460	47	2267303	BUSHING-UPPER 3/8" ID, SS	☒	2994838	BAG ASSEMBLY-BOLTS NUTS WASHERS
15	701-007	O-RING THRU BOLT [2.EA]	48	2263505	BOLT 3/8-16 X 4.25"	*98	2263462	SCREW 1/4-20X2 SS [6.EA]
16	701-041	O-RING	49	2263114	NUT-NYLOCK JAM 3/8-16	*99	2261713	WASHER-1/4 FLAT 18-18 [6.EA]
17	830-001	#8-32 SCREW [2.EA]	50	2261872	HINGE BASE, FW	*100	2263103	NUT- 1/4-20 NYLOC-JAM [6.EA]
18	830-078	THRU BOLT 8-32X8.96 [2.EA]	51	2261877	HINGE DOOR, FW	☒	2883460	SEAL & ORING KIT
19	990-067	WASHER- STEEL THRUST	52	2261537	HINGE SLEEVE [2 EA.]			
20	990-070	WASHER-NYLATRON [2.EA]	53	2260905	HANDLE-SOFT GRIP, L&D			
21	2069252	MOTOR ASSEMBLY 12V FW 3.625 5SPCO	54	2261728	WASHER-RETAINING 3/8"			
22	2032058	TUBE- COMPOSITE-45"	55	2053415	SCREW #8-32 X 3/8" TRI [2 EA.]			
☒	1378121	PROPELLER KIT	56	2261732	WASHER #8, NYLON [2 EA.]			
*24	2061122	PROPELLER	57	2262310	ROPE GUIDE			
*25	2151726	WASHER- 5/16 SS	59	2251601	ROPE- 44.5"			
*26	2053101	NUT-PROP NYLOC	60	2263805	VELCRO STRAP			
*27	2092600	PIN-DRIVE	62	2264703	INSERT - THREADED			
28	2266502	BOWPLATE, FW, STD, 45"	76	2060285	COVER-CONTROL BOX			
29	2263905	MOTOR REST, BLK.	77	2266698	DECAL-COVER EDGE 45/H			
30	2303430	SCREW 1/4-20 X 5/8 [6 EA.]	79	2302743	SPRING-DETENT HANDLE-TILT			
31	2265667	MOTOR REST DECAL, FW [2 EA.]	80	2303412	SCREW-6-20 X 5/8 SELF TAP [6.EA]			
☒	2991700	BOWMOUNT FW ASSEMBLY	81	2033400	SCREW-10-24 X 1-3/4"			
32	2264342	LOWER ARM, FW, STD.	82	2013110	NUT-10-24 HEX (ZCP)			
33	2266002	NYLINER 3/8" SHAFT [4 EA.]	83	2011365	SCREW-COLLAR/NEW KNOB			

* This item is part of an assembly. This item cannot be sold separately due to machining and /or assembly that is required.

EDGE 45 (ANCIEN MODÈLE)





MINN KOTA®

EDGE 45

(ANCIEN MODÈLE)

1	2-100-202	ARM ASSEMBLY 12V 3.25	2264267	48	ARM-UPPER, FW, LONG, 50"	96	2280110	KNOB-SPEED CONTROL 5SPD
2	788-015	RETAINING RING	2264262	49	ARM-UPPER, FW, STD, 45"	97	2263000	E-RING TRU-ARC
3	2-200-079	HOUSING ASSEMBLY CENTER 3.25 TXT	2263510	50	BOLT-SHOULDER, SS [2 EA.]	98	2260730	CONNECTOR 1/4 MALE TAB
4	2-300-134	HOUSING-ASSEMBLY BRUSH END 3.25 45"-50"	2251601	51	ROPE- 44.5" (36" / 45" MODELS)	99	2332103	SCREW-6-20 X 3/8
5	2-300-132	HOUSING-ASSEMBLY BRUSH END 3.25 36"	2251603	52	ROPE- 48" (50" MODEL)	100	2266413	TENSION SCREW PLATE FT PEDL
6	2-400-187	PLAIN END HOUSING ASSEMBLY	2263805	53	VELCRO STRAP	103	2260511	PIN-PIVOT AT FT PDL
7	144-049	BEARING- FLANGE [SERVICE ONLY]	2267302	54	BUSHING-LOWER 7/16" ID, SS	104	2992104	FT PEDAL BASE/PIN ASSEMBLY SONAR
8	880-003	SEAL	2267303	55	BUSHING-UPPER 3/8" ID, SS	105	2262301	PULLEY- FOOT PEDAL
9	140-010	BEARING-BALL	2263114	56	BOLT 3/8-16 X 4.25"	106	2266401	COVER-PULLEY STAMPING
10	188-052	BRUSH ASSEMBLY [2 EA.]	2261872	57	HINGE DOOR, FW	107	2223430	SCREW-#8X 3/4 PPH TYPE 25 SS [4 EA.]
12	738-030	BRUSH PLATE W/HOLDER 3.25	2261877	58	HANDLE-SOFT GRIP, L&D	108	2254031	SWITCH-MOM/OFF/COM
15	975-032	SPRING-COMPRESSION [2 EA.]	2260905	59	WASHER-RETAINING 3/8"	109	2266412	SWITCH PLATE, FT PEDAL
18	701-007	O-RING [2 EA.]	2261728	60	SCREW #8-32 X 3/8" TRI [2 EA.]	110	2332103	SCREW-6-20 X 3/8 THD [2 EA.]
19	701-039	O-RING	2053415	61	WASHER #8, NYLON [2 EA.]	113	2261208	WIRE HARNESS, AT FT. PED
20	701-041	O-RING	2261732	62	INSERT - THREADED	114	2267505	CABLE ASSEMBLY-RIGHT 5"
21	830-001	SCREW- SELF-THREAD 8-32X1.7 [2 EA.]	2264703	63	TUBE W/BEARING RACE ASSEMBLY 18"	115	2267515	CABLE ASSEMBLY-LEFT 5"
22	830-078	THRU BOLT 8-32 X 8.96 [2 EA.]	2992015	64	TUBE W/BEARING RACE ASSEMBLY 21"	116	2265430	CABLE JACKET 5"
23	990-067	WASHER- STEEL THRUST	2992016	65	TUBE W/BEARING RACE ASSEMBLY 24"	117	2265110	BOOT-CONTROL BOX
24	990-070	WASHER- NYLATRON [2 EA.]	2272066	66	TUBE OUTER-21" 4 HOLES	118	2265115	BOOT-FOOT PEDAL BASE
25	2069252	MTR ASSEMBLY 12V 3.25 5SPD 45"/50"	2272067	67	TUBE OUTER-24" 4 HOLES	119	2372100	SCREW-8-18 X 5/8 THD [2 EA.]
26	2032062	TUBE (COMP)W/CSK HOLE 36"	2266220	68	BEARING RACE	120	2261901	WASHER-MAXXUM FT PDL [2 EA.]
28	215726	WASHER- 5/16 SS	2266220	69	BEARING RACE-STEEL	121	2263400	BRACKET-CONDUIT AT/MAX
29	2053101	NUT-PROP NYLOC	2266115	70	BEARING CONE	122	2223430	SCREW-8-18 X 3/4" [4 EA.]
30	2092600	PIN-DRIVE SS	2261622	71	COLLAR HALF-ALUMINUM- [2 EA.]	123	2263210	SCREW-1/4-20 X 2 STL PPH
31	2266502	BOWPLATE, FW, LONG, 50"	2263453	72	SCREW-1/4X20 X 1" SHCS SS [2 A.]	124	2263104	SCREW-1/4-20 X 3/8 THD [2 EA.]
32	2263905	BOWPLATE, FW, STD, 45"	2260286	73	COVER-CTR BOX EDGE/FC BLK	125	2263466	NYLOCK KEEPER
33	2303430	MOTOR REST DECAL, FW [2 EA.]	2262599	74	DECAL-COVER EDGE 45/FC	126	2261235	LEADWIRE-BATTERY
34	2266567	MOTOR REST, BLK.	2372100	75	SCREW-8-18 X 5/8 THD [4 EA.]	127	2207000	TERMINAL RING, 3/8" [2 EA.]
35	2264342	LOWER ARM, FW, LONG	2265800	76	SCREW-8-32 X 1/2 TRI LOBE [3 EA.]	128	2256300	TIE WRAP-5.5" BLACK
36	2266002	LOWER ARM, FW, STD.	2267800	77	GEAR-INDICATOR	129	2263201	CLAMP WIRE HARNESS MICRO [3 EA.]
37	2260503	NYLINER 3/8" SHAFT [4 EA.]	2375400	78	SHRINK TUBE-1/4OD X 1-3/4 [2 EA.]	130	2332100	CONNECTING WIRE -SWITCH
38	2263442	LOWER ARM, FW, STD.	2355410	79	SHRINK TUBE-3/8 OD X 2 [2 EA.]	131	2260301	WIRE,BLK W/WHT- 19 1/2
39	2266002	NYLINER 3/8" SHAFT [4 EA.]	2232360	80	PULLEY-CABLE DRUM	132	2260312	WIRE,BLK W/BLUE -12"
40	2151700	WASHER-EYE SHAFT, .562 OD	2261730	81	WASHER-NYLON AT	133	2260322	LEADWIRE CLAMP
41	2151700	LATCH STRAP ASSEMBLY, LONG, 50"	2996246	82	BEARING RACE/PINION ASSEMBLY	134	2263205	SCREW-8 X 1/2" SS
42	2263607	LATCH STRAP, LONG, 50"	2994496	83	FOOT PEDAL/PLUG ASSEMBLY AT	135	9953104	SCREW-8 X 1/2" SS
43	2261902	BRACKET-LATCH [2 EA.]	2283700	84	PUSH-BUTTON	137	2262535	CONTROL BOX-PLASTIC
44	2268602	RIVET 1/8" SS [4 EA.]	2302732	85	SPRING-LOWER PEDAL SS	139	2267800	GEAR-INDICATOR [2 EA.]
45	2262709	SPRING-LATCH PIN	2264040	86	SWITCH MOMENTARY	140	2262220	INDICATOR-DRIVE
46	2260501	LATCH PIN [2 EA.]	2233100	87	NUT-SWITCH MOUNT [2 EA.]	141	2261905	BRACKET/INDICATOR
47	2261544	YOKE-TUBE	2264026	88	SWITCH-S SPEED	142	2372100	SCREW-8-18 X 5/8 (SS)
			2263105	89	LOCKWASHER-STAR	143	2263462	BAG ASSEMBLY
			2261701	90	NUT-HEX	144	2261713	SCREW 1/4-20X2 SS [6 EA.]
			2261715	91	SPACER-SWITCH 5 SP MODELS	147	2262310	WASHER-1/4 FLAT 18-18 [6 EA.]
				92		148	2030316	NUT- 1/4-20 NYLOC-JAM [6 EA.]
				93		149	2030317	GUIDE ROPE
				94		150	2030312	WIRE EXT. 10 GA. 18" BLACK
				95		151	2030313	WIRE EXT. 10 GA. 18" RED
						152	2375400	WIRE EXT. 16 GA. 18" WHITE
						153	2030710	WIRE EXT. 16 GA. 18" YELLOW
						154	2030711	SHRINK TUBING 1/4" X 1" [4 EA.]
						155	2883460	BUTT CONNECTOR LARGE [2 EA.]
								BUTT CONNECTOR SMALL [2 EA.]
								SEAL & ORING KIT

* THIS ITEM IS PART OF AN ASSEMBLY. THIS ITEM CANNOT BE SOLD SEPARATELY DUE TO MACHINING AND /OR ASSEMBLY THAT IS REQUIRED.